



REV.	ECN NO.	REVISED	DATE

NOTE:

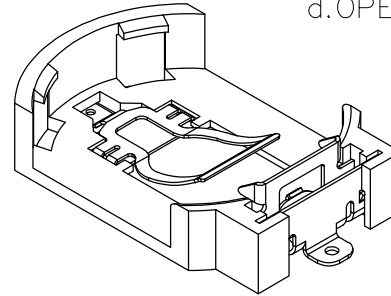
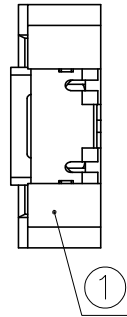
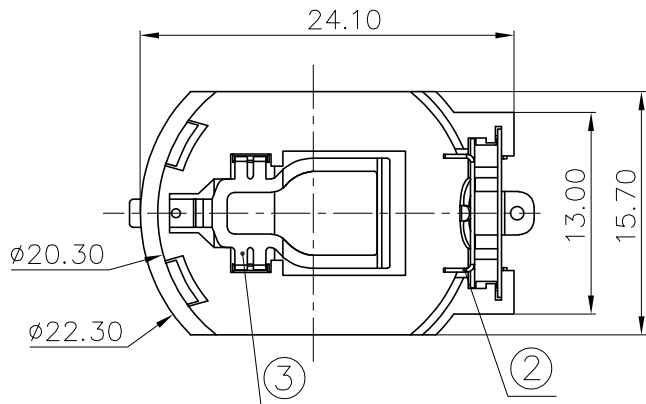
1.MATERIAL:

- a.HOUSING: PPA
- b.CONTACT: PHOSPHOR BRONZE  
(SURFACE PLATING: Ni50U"- Sn80U")

SEE ORDERING INFORMATION

2.ELECTRIC:

- a.CONTACT RESISTANCE: 100 MILLIOHMS MAX
- b.INSULATION RESISTANCE: 100 MEGA OHMS MIN
- c.DIELECTRIC VOLTAGE: 500V AC ONE SEC LEVEL
- d.OPERATING TEMPERATURE: -25°C~ +85°C

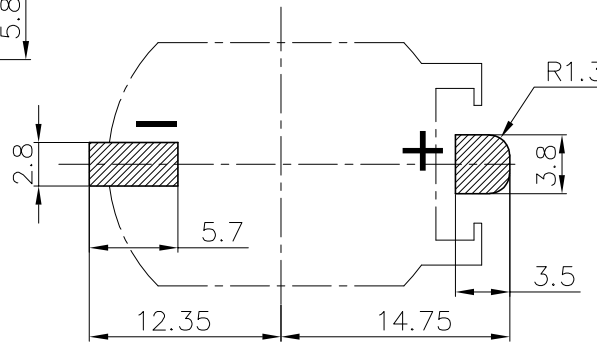
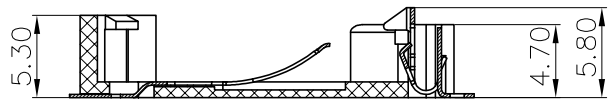


ORDERING INFORMATION  
BS-08-B2AL027

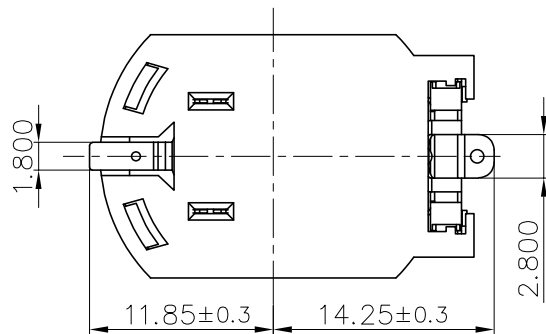
电池座系列  
BS-08系列  
SMT 180° TYPE

- A-Au1U"
- J-Ni100U"~120U"
- K-Sn100U"~120U"
- L-Ni50U"- Sn80U"

- MATERIAL:
- 1A-PBT BLACK
  - 1B-PA66 BLACK
  - 2A-PPA BROWN
  - 2B-PPA BLACK
  - 3A-PPS BROWN
  - 3B-PPS BLACK
  - 4A-LCP WHITE
  - 4B-LCP BLACK



PCB Layout Diagram  
Top View



3	TERMINAL(-)	1	PHOSPHOR BRONZE, T=0.20mm	Tin Plating and Nickel Under-Plating
2	TERMINAL(+)	1	PHOSPHOR BRONZE, T=0.25mm	Tin Plating and Nickel Under-Plating
1	HOUSING	1	PPA	BROWN
NO.	PART NAME	Q'TY	MATERIAL	PLATING & COLOR

UNLESS OTHERWISE SPECIFIED TOLERANCES		<b>MYOUNG 美用</b> www.meiyangdz.com	
DECIMALS: X :±0.30 X.X :±0.25 X.XX :±0.20 X.XXX :±0.10	ANGLES: X :±1' X.X :±0.5'	DSND YangFeng	DATE 2021-06-03
		CHKD ZhouRuicai	DATE 2021-06-03
		APVD XueShunyong	DATE 2021-06-03
WEIGHT:		SCALE:	SIZE: A4
SHEET 1 OF 1		VIEW:	REV.: A/0
		UNIT: mm	OBJECT: MY
		TITLE: BS-2032-8GCK 0.7 Sn SMT 卡勾2mm 正极改舌头	
		PART NO.: BS-08-B2AL027	
		DRAW NO.:MY-CP-0141	