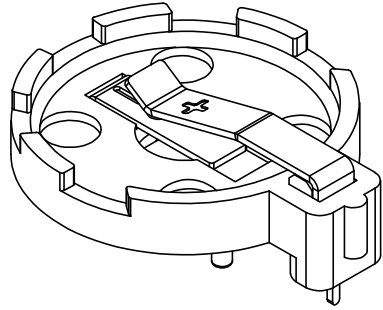
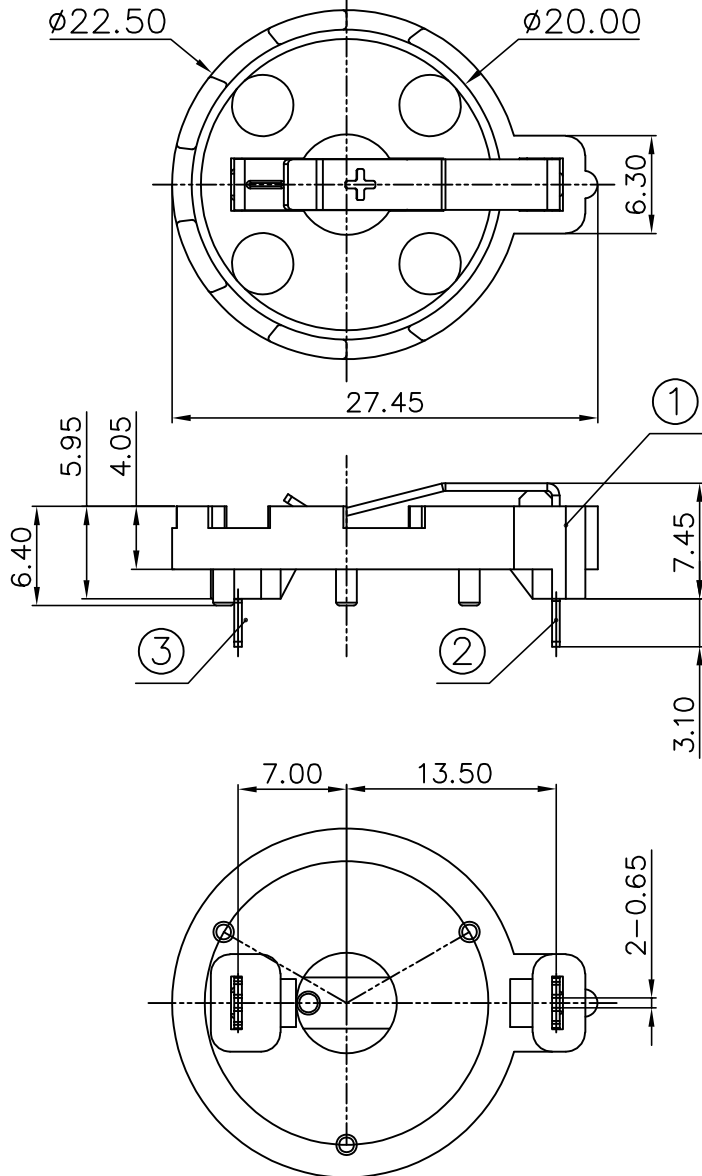




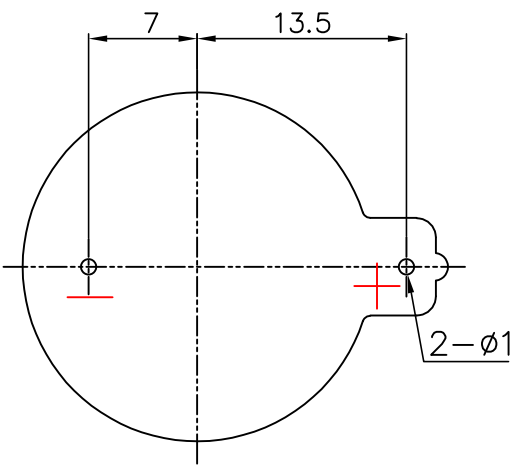
REV.	ECN NO.	REVISED	DATE



NOTE:

- 1.MATERIAL:  
a.HOUSING:PBT  
b.CONTACT:Mn Steel  
(SURFACE PLATING: Ni100u"-120u")  
SEE ORDERING INFORMATION
- 2.ELECTRIC:  
a.CONTACT RESISTANCE: 100 MILLIOHMS MAX  
b.INSULATION RESISTANCE: 100 MEGA OHMS MIN  
c.DIELECTNIC VOLTAGE: 500V AC ONE SEC LEVEL  
d.OPERATING TEMPERATURE: -25°C~ +85°C

PCB Layout Diagram  
Top View



ORDERING INFORMATION

BS-03-A\*\*\*006

电池座系列

BS-03系列

DIP 90° TYPE

PLATING:  
A-Au1U"  
J-Ni100U"~120U"  
K-Sn100U"~120U"

MATERIAL:  
1A-PBT BLACK  
1B-PA66 BLACK  
2A-PPA BROWN  
2B-PPA BLACK  
3A-PPS BROWN  
3B-PPS BLACK  
4A-LCP WHITE  
4B-LCP BLACK



3	TERMINAL(-)	1	Mn Steel, T=0.50mm	Ni Plating
2	TERMINAL(+)	1	Mn Steel, T=0.50mm	Ni Plating
1	HOUSING	1	PBT	BLACK
NO.	PART NAME	Q'TY	MATERIAL	PLATING & COLOR

UNLESS OTHERWISE SPECIFIED TOLERANCES		<b>MYOUNG 美阳</b> <a href="http://www.meiyangdz.com">www.meiyangdz.com</a>	
DECIMALS: X :±0.30 X.X :±0.25 X.XX :±0.20 X.XXX :±0.10	ANGLES: X :±1° X.X :±0.5°	DSND YangFeng	DATE 2020-11-16
WEIGHT: 1.90g		CHKD ZhouRuicai	DATE 2020-11-16
SHEET 1 OF 1		APVD XueShun Yong	DATE 2020-11-16
SCALE: 2:1	SIZE: A4	VIEW:	TITLE: BS-2032-3-1A 20.5mm DIP
UNIT: mm	REV.: A/0	OBJECT: MY	PART NO.: BS-03-A1AJ006
			DRAW NO.:MY-CP-0244