



REV.	ECN NO.	REVISED	DATE

NOTE:

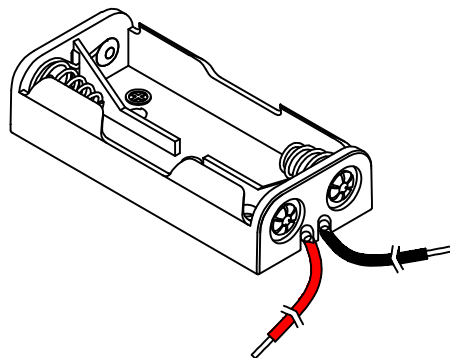
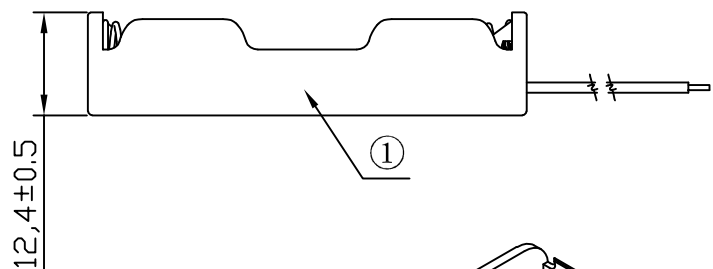
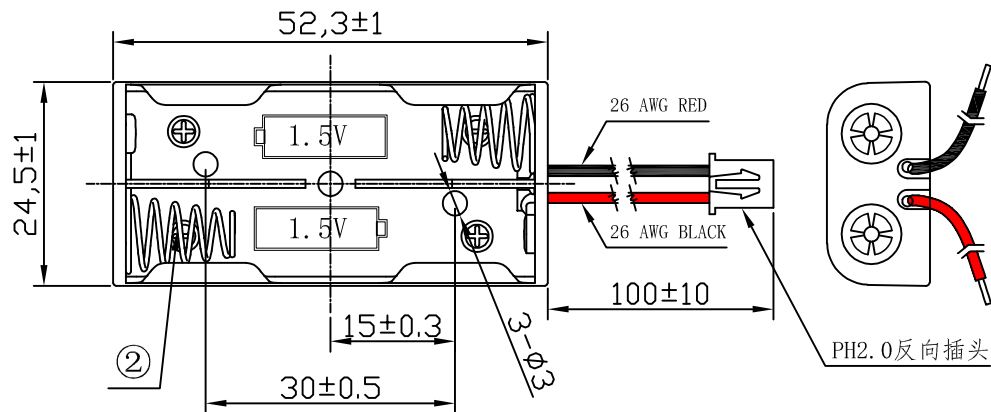
1.MATERIAL:

- a.HOUSING:PP BLACK
- b.SPRING:MUSIC WIRE  
(SURFACE PLATING: NI100u"~120u")

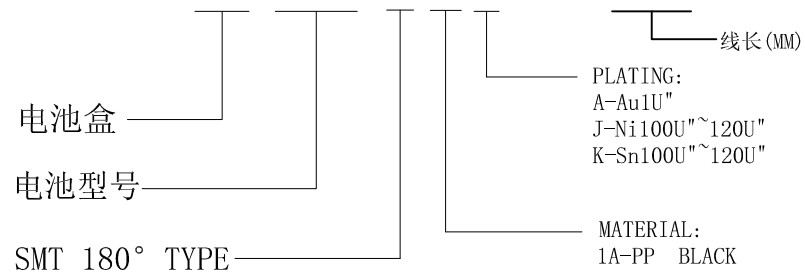
SEE ORDERING INFORMATION

2.ELECTRIC:

- a.DIELECTRIC VOLTAGE: 270V AC ONE SEC LEVEL
- b.OPERATING TEMPERATURE: -10° C~ +100° C



ORDERING INFORMATION  
BH-AAA-B1AJ008-100



UNLESS OTHERWISE SPECIFIED TOLERANCES		<b>MYOUNG 美阳</b> www.meiyangdz.com			
DECIMALS: X :±0.30 X.X :±0.25 X.XX :±0.20 X.XXX :±0.10	ANGLES: X :±1° X.X :±0.5°	DSND	YangFeng	DATE	2020-11-28
WEIGHT:		CHKD	ZhouRuicai	DATE	2020-11-28
SHEET 1 OF 1		APVD	XueShunYong	DATE	2020-11-28
SCALE:		UNIT:	mm	REV.:	A/1
SIZE:		VIEW:	A4	OBJECT:	MY
PLATING & COLOR		TITLE:		BH-AAA-B1AJ008-100 (26#线长100mm带PH2.0反向插头)	
PART NO.:		BH-AAA-B1AJ008-100			
DRAW NO.:		WD-CP-0105			

2	TERMINAL	2	MUSIC WIRE	Ni-Plating
1	HOUSING	1	PP	BLACK
NO.	PART NAME	Q'TY	MATERIAL	PLATING & COLOR