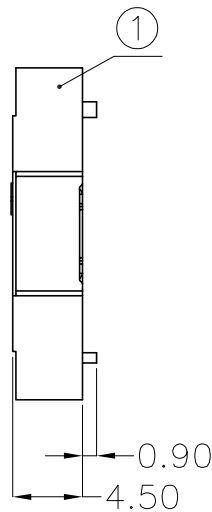
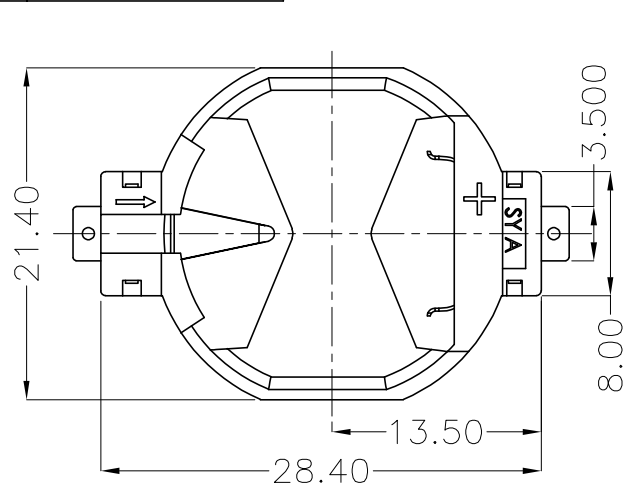




REV.	ECN NO.	REVISED	DATE



1.MATERIAL:
 a.HOUSING:PPA
 b.CONTACT:PHOSPHOR BRONZE
 (SURFACE PLATING:AU1u")
 SEE ORDERING INFORMATION

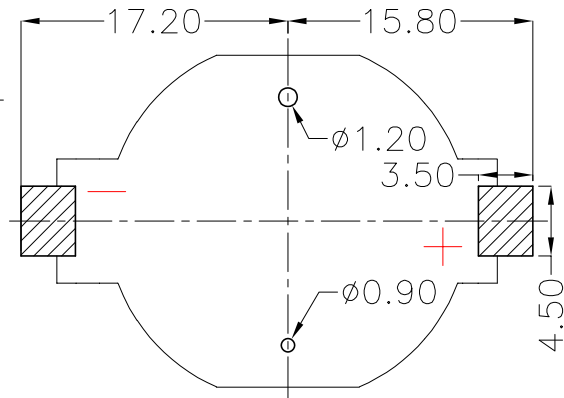
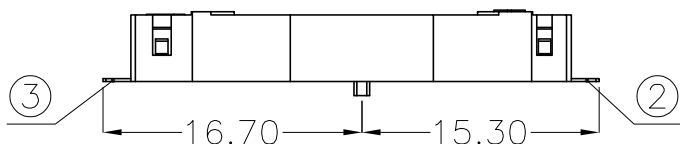
2.ELECTRIC:
 a.CONTACT RESISTANCE: 30 MILLIOHMS MAX
 b.INSULATION RESISTANCE: 100 MEGA OHMS MIN
 c.DIELECTNIC VOLTAGE: 500V AC ONE SEC LEVEL
 d.OPERATING TEMPERATURE: -25°C~ +85°C

ORDERING INFORMATION

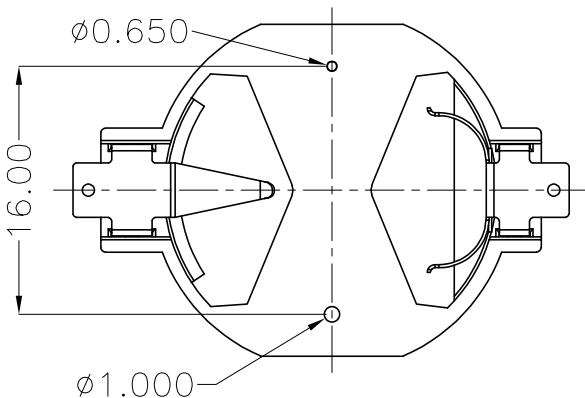
BS-11-B***001

电池座系列
 BS-11系列
 SMT 180° TYPE

PLATING:
 A-Au1U"
 J-Ni100U"~120U"
 K-Sn100U"~120U"



PCB Layout Diagram
Top View

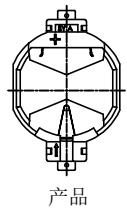


工程部
 2019-12-30
 LQ. HUANG

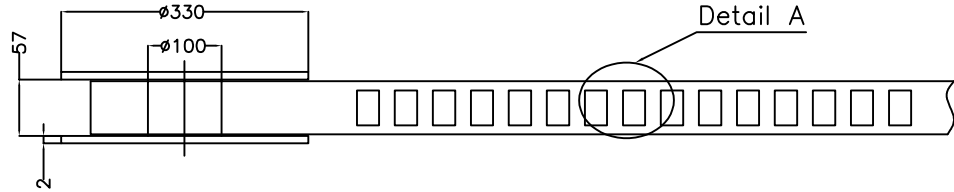
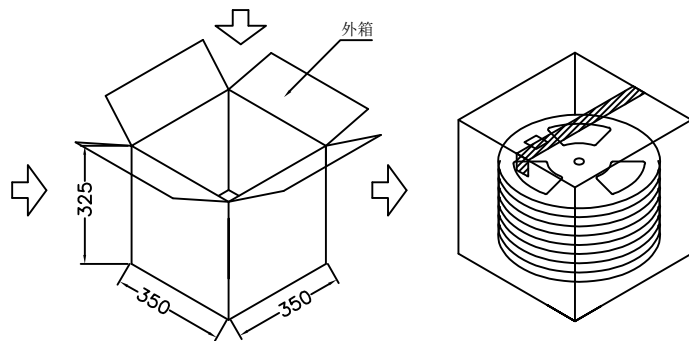
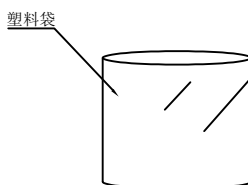
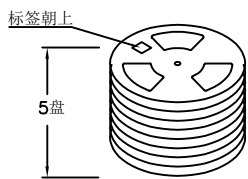
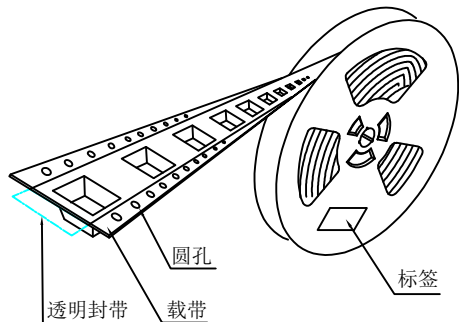
MATERIAL:
 1A-PBT BLACK
 1B-PA66 BLACK
 2A-PPA BROWN
 2B-PPA BLACK
 2C-PPA WHITE
 3A-PPS BROWN
 3B-PPS BLACK
 4A-LCP WHITE
 4B-LCP BLACK
 5A-PA6T WHITE
 5B-PA6T BLACK

UNLESS OTHERWISE SPECIFIED TOLERANCES		MYOUNG 美用 www.meiyangdz.com	
DECIMALS: X :±0.30 X.X :±0.25 X.XX :±0.20 X.XXX :±0.10	ANGLES: X :±1° X.X :±0.5°	DSND YangFeng	DATE 2019-12-30
TITLE:		CHKD ZhouRuicai	DATE 2019-12-30
PART NO.:		APVD XueShunYong	DATE 2019-12-30
WEIGHT: 0.98g		SCALE: 2:1	SIZE: A4
SHEET 1 OF 1		VIEW:	
		UNIT: mm	REV.: A/0
		OBJECT: MY	DRAW NO.:MY-CP-0219

3	TERMINAL(-)	1	PHOSPHOR BRONZE, T=0.20mm	Gold Plating and Ni Under-Plating
2	TERMINAL(+)	1	PHOSPHOR BRONZE, T=0.20mm	Gold Plating and Ni Under-Plating
1	HOUSING	1	PPA	BLACK
NO.	PART NAME	Q'TY	MATERIAL	PLATING & COLOR



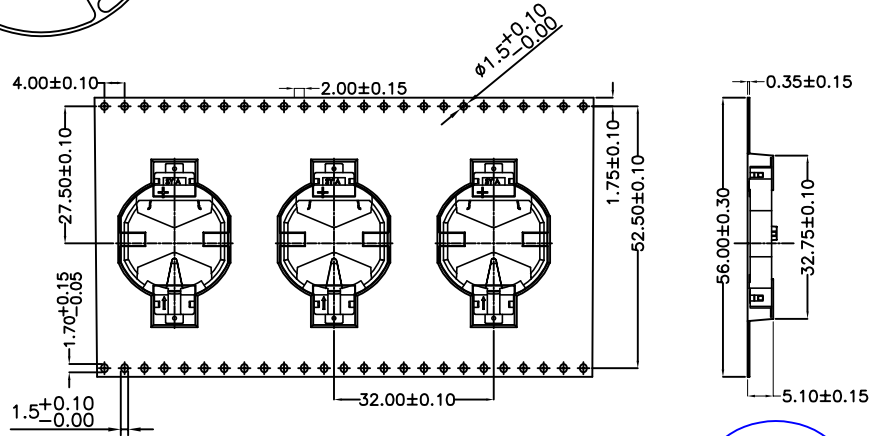
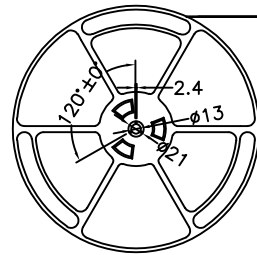
产品



Detail A

出料方向

余留封带长: 300 MIN
载带与封带剥离角度: 165° -180°
剥离强度: 0.1-1.0N



Detail A



技术要求:

- 1.圆孔十个孔距离累计允许公差为±0.2mm
- 2.带长250mm内容许弯曲度1mm
- 3.材料厚度以在载带边缘测量为准
- 4.所有尺寸定义依循EIA-481-C系准则定义之
- 5.材料:黑色PS T=0.35mm
- 6.所有卷轮为灰蓝挖空旋转塑胶卷轮
- 7.整模成型长度:12M,
- 8.非指明公差范围为: ±0.1mm;超过250mm不计算累计误差
- 9.型腔外形凡未标明处倒角R为0.2-0.3;拔模斜度未标注的为3°以下

包装信息:

- 1、每卷盘装产品 350 只, 卷盘外侧贴相关标签;
- 2、每 5 卷盘放在一个塑料袋中;
- 3、每外箱装5盘, 产品总数: 1750 只;
- 4、外箱上下用胶纸封成"工"字;
- 5、净重: 1.72 KG, 毛重: 4.72 KG。

UNLESS OTHERWISE SPECIFIED TOLERANCES		MYOUNG 美阳 www.meiyoungdz.com			
DECIMALS: X :±*** X.X :±*** X.XX :±*** X.XXX :±***	ANGLES: X :±*** X.X :±***	DSND	YangFeng	DATE	2022-02-22
		CHKD	ZhouRuicai	DATE	2022-02-22
		APVD	XueShun Yong	DATE	2022-02-22
WEIGHT:		SCALE:	3:1	SIZE:	A4
SHEET 1 OF 1		VIEW:	REV.:		A/0
		UNIT:	mm	OBJECT:	MY
		TITLE:		BS-2032-11 SMT 卷装	
		PART NO.:		BS-11-BXXX0XX-R	
		DRAW NO.:		MY-BD-0018	