



REV.	ECN NO.	REVISED	DATE

NOTE:

1.MATERIAL:

a.HOUSING:PA66 BLACK

b.CONTACT: PHOSPHOR BRONZE

(SURFACE PLATING: Au1u")

SEE ORDERING INFORMATION

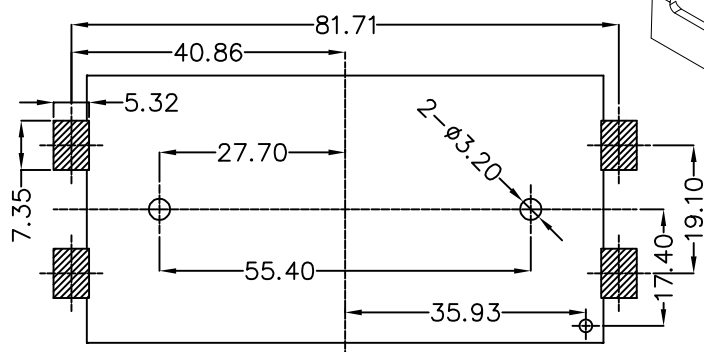
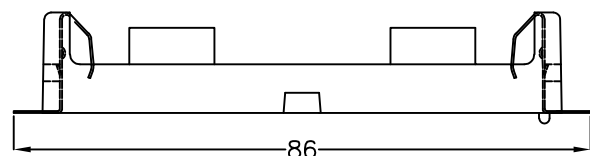
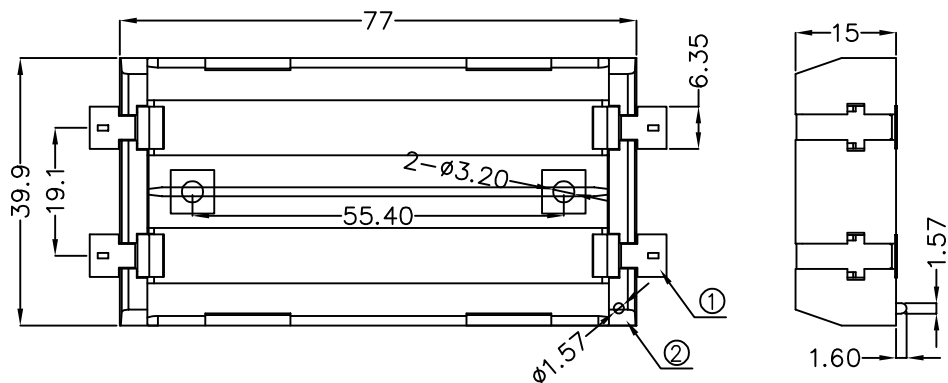
2.ELECTRIC:

a.CONTACT RESISTANCE: 30 MILLIOHMS MAX

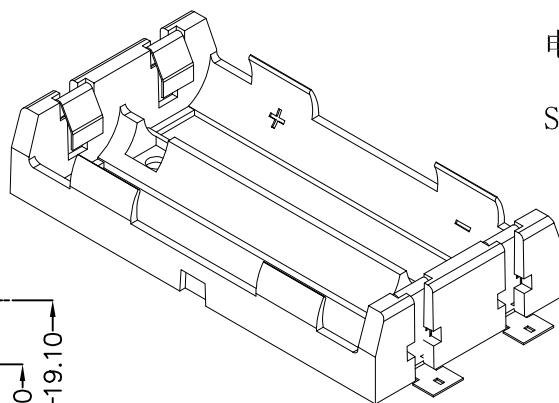
b.INSULATION RESISTANCE: 1000 MEGA OHMS MIN

c.DIELECTNIC VOLTAGE: 500V AC ONE SEC LEVEL

d.OPERATING TEMPERATURE: -25° C~ +85° C



PCB Layout Diagram
Bottom View



ORDERING INFORMATION

BH-18650-B***007

电池盒

电池型号

SMT 180° TYPE

PLATING:

A-Au1U"

J-Ni100U"~120U"

K-Sn100U"~120U"

MATERIAL:

1A-PBT BLACK

1B-PA66 BLACK

2A-PPA BROWN

2B-PPA BLACK

3A-PPS BROWN

3B-PPS BLACK

4A-LCP WHITE

4B-LCP BLACK



UNLESS OTHERWISE SPECIFIED TOLERANCES		MYOUNG 美用 www.meiyangdz.com	
DECIMALS: X :±0.30 X.X :±0.25 X.XX :±0.20 X.XXX :±0.10	ANGLES: X :±1° X.X :±0.5°	DSND YangFeng	DATE 2018-09-09
WEIGHT:		CHKD ZhouRuicai	DATE 2018-09-09
SHEET 1 OF 1		APVD XueShunyong	DATE 2018-09-09
SCALE:		SIZE: A4	VIEW:
UNIT: mm		REV.: A/0	OBJECT: MY
TITLE:		TITLE: 电池盒BH-18650-2J Au SMT	
PART NO.:		PART NO.: BH-18650-A1BA007	
DRAW NO.:WD-CP-0134		DRAW NO.:WD-CP-0134	

2	TERMINAL	1	PHOSPHOR BRONZE, T=0.35MM	Au-Plating
1	HOUSING	1	PA66	BLACK
NO.	PART NAME	Q'TY	MATERIAL	PLATING & COLOR