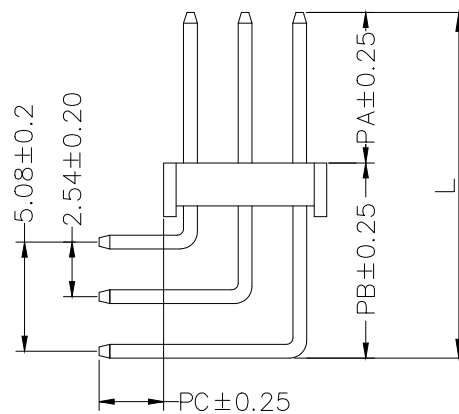
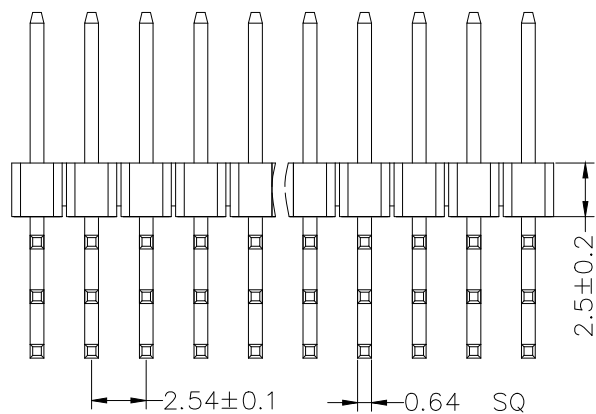
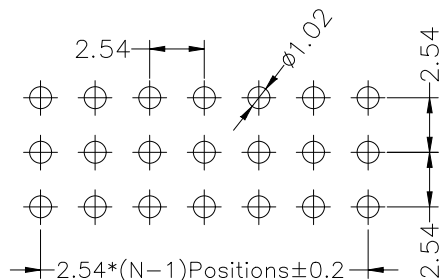
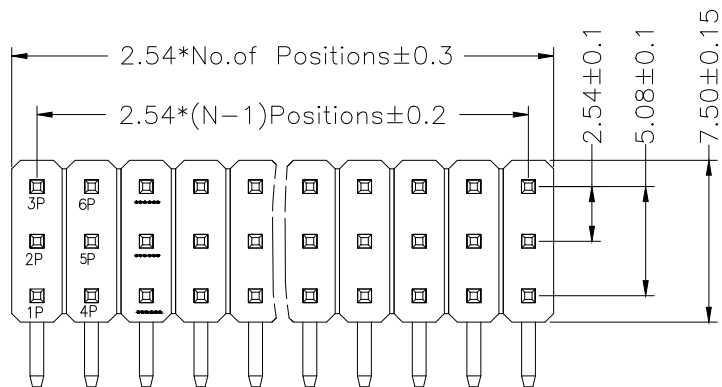


Recommended P.C.B Layout(Top Side)
(PCB BOARD TOLERANCE±0.05)

SPECIFICATIONS
Rated Current:3.0AMP
Contact Resistance:20mΩ Max
Withstand Voltage:1000V AC/DC
Insulation Resistance:1000MΩ Min
Operation Temperature:-40°c to +105°c

Contact Material:Brass
Contact Plating:Au or Sn Over Ni
Insulator Material:Polyester(UL94V-0)
Standard: PA6T
Max.Processing Temp: 230°C for 30-60 seconds
(260°C for 10 seconds)



Dimension antitheses list				
ITEM	PA	PB	PC	L
Standard	6.00	9.54	3.00	15.54
Alternate				

Ordering Information

PZ 254 - * - N - W - * - **

No. of Rows
1=Single Row
2=Dual Row
3=Triple Row

No. of Pins
3x4OPin

Type
2-直插
4-弯插
5-弯插
6-插板

Length
(中插间距)

Contact Plating
G0:Gold Flash
G1:11μ Gold
G2:3u Gold
G3:5u Gold
G4:10u Gold
G5:15u Gold
G6:30u Gold
S0:Gold Flash/Tin
S1:Tin

			GENERAL TOLERANCE		制图 DRAWING		深圳市华灿天禄电子有限公司 ShenzhenhuacantianluELECTRONICS CO., LTD			
			DIM	TOL	审核 CHECK		产品名称 TITLE	2.54三排 排针 正弯(塑高2.5)	版本 REV.	A
			X.X	±0.30	批准 APPROVAL		产品料号 PART NO.	PZ254-3-N-W-2.5-XX(L15.54)	单位 UNITS	mm
1	初版发行		X.XX	±0.20	比例 SCALE				页次 SHEET	1/1
			X.XXX	±0.10	投影 Projection		材料 MATERIAL			
序号 No.	变更内容 MODIFY CONTENT	日期 MODIFY DATE	Angle	±3.0°						