



LUCKI CM ELECTRONICS Co.,Ltd



APPROVAL SHEET

Customer : _____
 Part Number: _____
 LK Part No.: LPC0S24000L83L
 Holder : 47SMD
 Frequency: 24.000MHZ 12PF ±20PPM
 Manufacturer: Lucki Electronics
 Date: 2023-05-31

Prepared	Checked	Approved
Zhao Qian	Zhang Dongwei	Zhang Bin

(For Customer Use)

Acceptable	



LUCKI CM ELECTRONICS Co.,Ltd



Revision History

No.	Revised Date	Change Content	Approved	Remark



LUCKI CM ELECTRONICS Co.,Ltd



一、电性能参数 ELECTRICAL PARAMETERS:

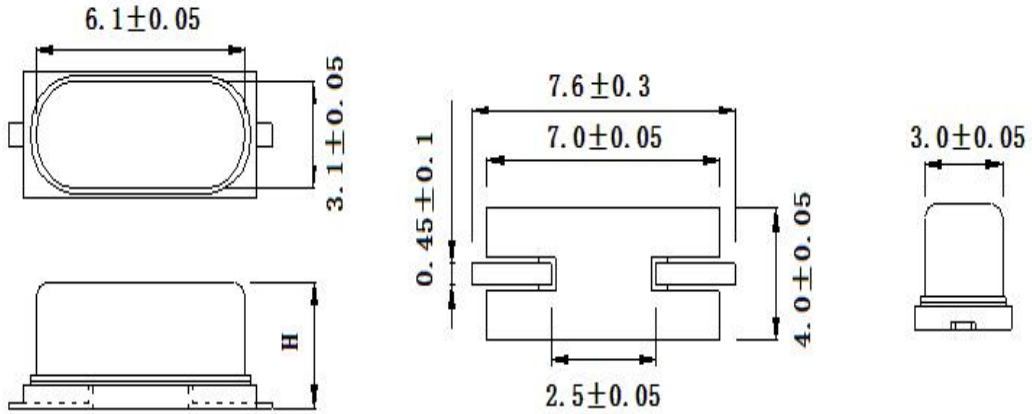
No.	特性 Characteristic	范围 Limits	备注 Remark
1	产品型号 Ackage Type	ZC-47SMD	
2	标称频率 Nominal Frequency	24.000000MHz	
3	振动模式 Mode of Vibration	AT—Fund（基频）	
4	常温频差 Frequency Tolerance	$\pm 20\text{ppm}$	$25 \pm 3^\circ\text{C}$ 测试 Measure at $25^\circ\text{C} \pm 3^\circ\text{C}$
5	工作温度范围 Operating Temperature Range	$-20^\circ\text{C} \sim +70^\circ\text{C}$	
6	频率稳定度 Frequency Stability	$\pm 30\text{ppm}$	
7	储存温度范围 Storage Temperature Range	$-40^\circ\text{C} \sim +85^\circ\text{C}$	
8	负载电容 Load capacitance	12pF	
9	谐振电阻 Equivalent Series Resistance	$30 \Omega \text{ max}$	
10	激励功率 Drive Level	$100 \mu\text{W max}$	
11	绝缘电阻 Insulation Resistance	$500\text{M} \Omega$	At 250V_{DC}
12	静电容 Shunt Capacitance	5pF max	
13	老化率 Aging Per Year	$\pm 5\text{ppm}$	
14			



LUCKI CM ELECTRONICS Co.,Ltd



三、外形尺寸 Outline Dimensions (unit: mm)



NO.	规格	H
1.	F<16Mhz(含)	2.3Max
2	F>16Mhz	2.1Max

四、印字 Marking



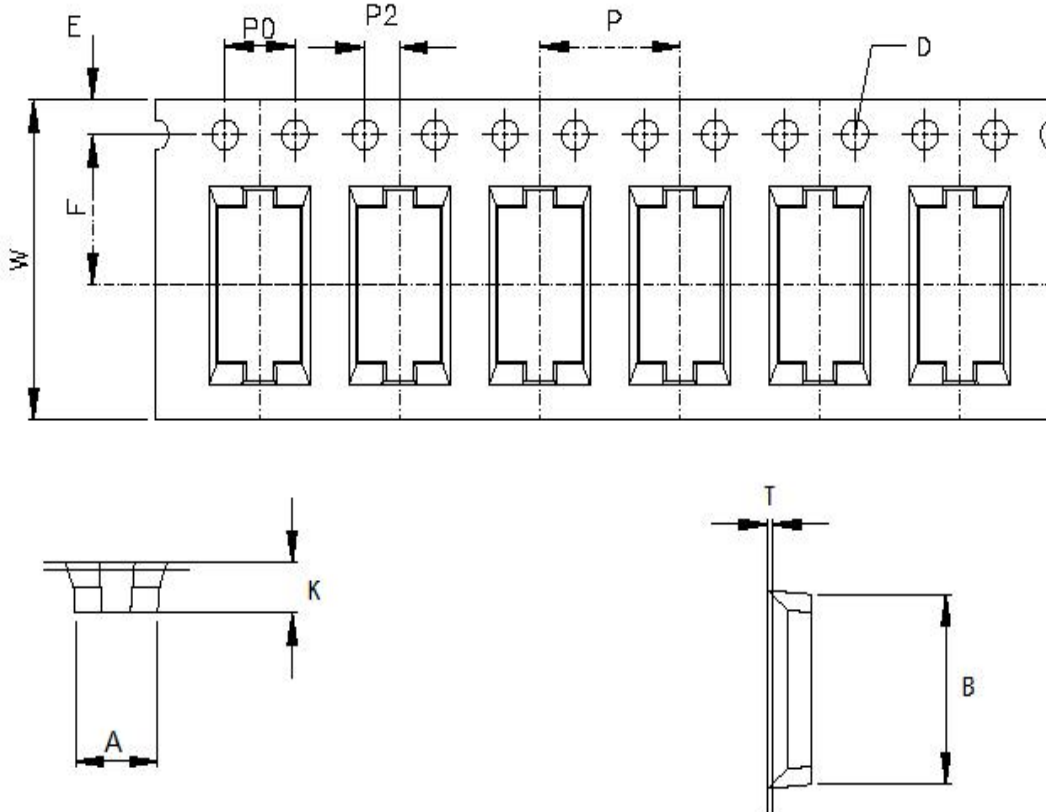


LUCKI CM ELECTRONICS Co.,Ltd



五、包装方式 Packing

T/R: 3000pcs/ REEL



单位 units : mm:

Model	A	B	D	E	F	P	P0	T	W
ZC-47SM	4.7 ± 0.1	9.5 ± 0.1	$\Phi 1.5$	1.75 ± 0.1	7.5 ± 0.1	8.0 ± 0.1	4.0 ± 0.1	0.3 ± 0.05	16 ± 0.3



LUCKI CM ELECTRONICS Co.,Ltd



SPEC1	12	16	24	32	44	56	72	88
C1±1	330	330	330	330	330	330	330	330
A±0.2	2.3	2.3	2.3	2.3	2.3	2.3	2.3	2.3
B±0.2	10.0	10.0	10.0	10.0	10.0	10.0	10.0	10.0
H+2.0	12.5	16.5	24.5	32.5	44.5	56.5	72.5	88.5
T±0.2	2.1	2.1	2.1	2.1	2.1	2.1	2.1	2.1
D±0.5	∅100	∅100	∅100	∅100	∅100	∅100	∅100	∅100

