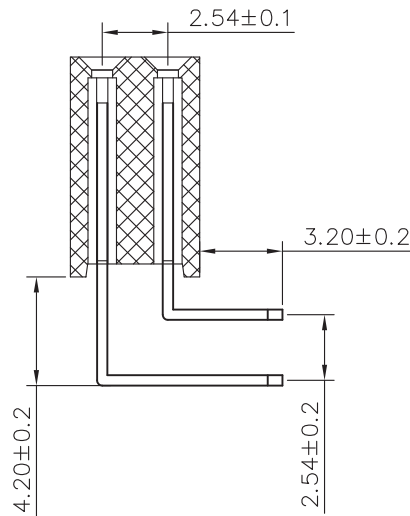
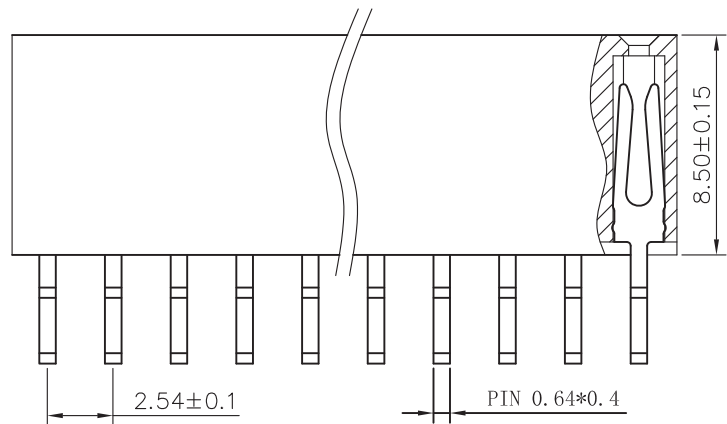


RECOMMEND P. C. B LAYOUT  
PCB TOLERANCE: ±0.05 (TOP VIEW)



## SPECIFICATIONS

Current Rating: 3Amps  
 Insulation Resistance: 1000MΩ Min  
 Contact Resistance: 20mΩ Max  
 Withstanding Voltage: AC 1000V  
 Operation Temperature: -40° to +105°  
 Contact Material: Brass  
 Standard: PA6T  
 Insulator Material: Polyester (UL 94V-0)  
 Contact Plating: Gold Flash  
 Max. Processing Temp: 240° C for 30-60 seconds  
 (260° C for 5 seconds)

## Code Description

HJ-2.54-FH-2-XX-85-R-32-50-G0-Y-B

(1) (2) (3) (4) (5) (6) (7) (8) (9) (10) (11)

- (1) Pin Spacing: 254=2.54mm
- (2) Product Name: FH=Female Header
- (3) No. of Rows: 1=Single Row ; 2=Dual Row
- (4) No. of Pins Per Row: 1~40
- (5) Insulator Material Height: 50=5.0mm; 85=8.5mm
- (6) Connector Type: S=Straight; R=Right Angle; M=SMT
- (7) Connector Material Length: 30=3.0mm; 32=3.2mm
- (8) Insulator Material Width: 50=5.0mm; 55=5.5mm
- (9) Contact Plating: G0=Gold Flash; AU15=Au 1.5u"
- (10) Connector Material Type: U=U Type; Y=Y Type
- (11) Insulator Material Option:  
A=BK-PBT; B=BK-PA6T; C=BK-PA46; D=KB-LCP; S=Special

HJ-Tech 东莞市皇捷通讯科技有限公司  
 DONGGUAN HUANGJIE COMMUNICATION TECHNOLOGY CO., LTD.

No. of	DIM. A	DIM. B	No. of	DIM. A	DIM. B	No. of	DIM. A	DIM. B	No. of	DIM. A	DIM. B
1	0.00	2.54	11	25.40	27.94	21	50.80	53.34	31	76.20	78.74
2	2.54	5.08	12	27.94	30.48	22	53.34	55.88	32	78.74	81.28
3	5.08	7.62	13	30.48	33.02	23	55.88	58.42	33	81.28	83.82
4	7.62	10.16	14	33.02	35.56	24	58.42	60.96	34	83.82	86.36
5	10.16	12.70	15	35.56	38.10	25	60.96	63.50	35	86.36	88.90
6	12.70	15.24	16	38.10	40.64	26	63.50	66.04	36	88.90	91.44
7	15.24	17.78	17	40.64	43.18	27	66.04	68.58	37	91.44	93.98
8	17.78	20.32	18	43.18	45.72	28	68.58	71.12	38	93.98	96.52
9	20.32	22.86	19	45.72	48.26	29	71.12	73.66	39	96.52	99.06
10	22.86	25.40	20	48.26	50.80	30	73.66	76.20	40	99.06	101.60

UNLESS OTHERWISE SPECIFIED TOLERANCE

X : ±0.3 X° : ±5°  
 X.X : ±0.2 X.X° : ±1°  
 X.XX : ±0.1 X.XX° : ±0.5°

DRAWN NAME:

2.54FH 2x2PIN 8.5塑高 90° PC3.2 塑宽5.0 镀3u金 Y型 PA6T (760PCS/盒装)

SIZE	A4	SCALE	N:1	PROUCT NO.	26-8237-002
REV	A	UNIT	mm	PROJECT	
			PAGE	1/1	

CHECKED: LI BEI LIN 12/03/07 CHECKED: / / APPROVED: / /