

雅晶鑫電子

Shenzhen Yajingxin Electron Co.,Ltd

Customer	
Production Name	SMD OSC CMOS SEAM 5.0*3.2
Customer P/N	N/A
P/N	F503225MUBCE20
Revision	A
Print Date	2023-04-20

Drawn	Checked	Approved
		



RoHS Compliant

■ Electrical Specifications

1. Model No	5032 OSC	
2. Nominal Frequency	25.000MHz	
3. Mode of Oscillation	Fundamental	
4. Operating Temperature Range	-40°C to 85 °C	
5. Storage Temperature Range	-55°C to +125°C	
6. Frequency Stability	±10ppm/±30ppm	
7. Power Supply Voltage	1.8V~3.3V	
8. Input Current	5mA Max.	
9. Output Voltage	Logic High(Voh)	90%Vdd Min
	Logic Low(Vol)	10%Vdd Max
10. Output Load	15pF max CMOS Load	
11. Symmetry (at 50%VDD)	40-60%Normal	
12. Rise & Fall Time	8ns Max.	
13. E/D or N/C.	Tri-state	
14. Output Disable Time	100nsec	
15. Output Enable Time(start-up time)	10msec max	
16. Aging	±3ppm/year	
17. Unit Weight		

雅晶鑫電子

Pad	1	2	3	4
Connection	N.C.(INH)	GND	OUTPUT	VDD

■ Marking

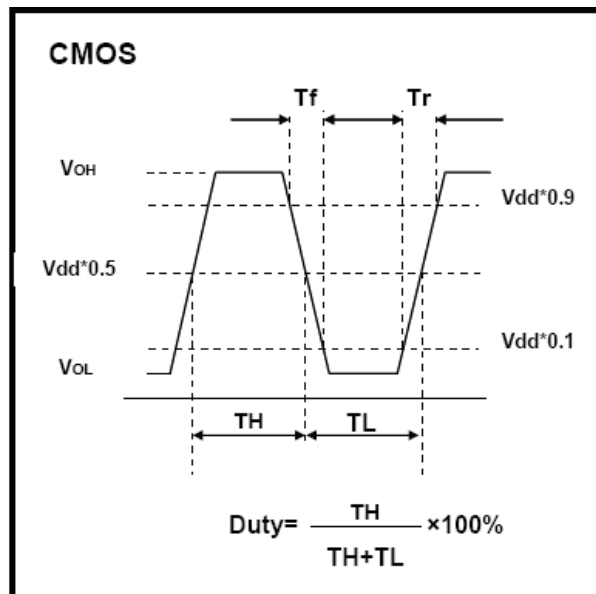
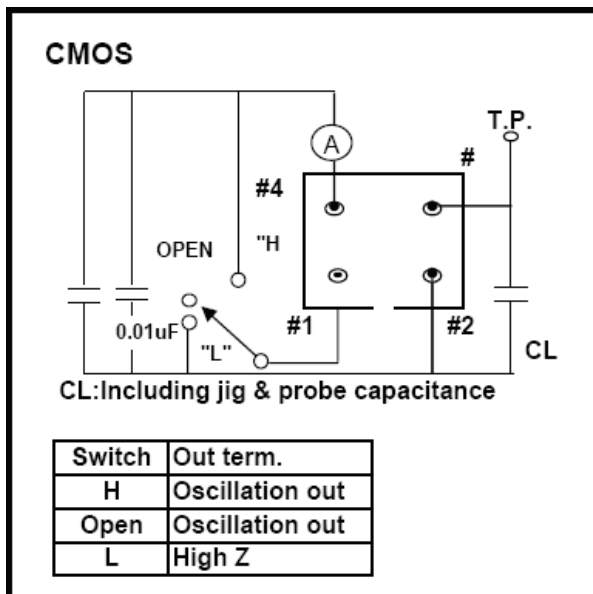
Line 1: 客户指定印字 →

Line 2: ● → Pin#1 indication

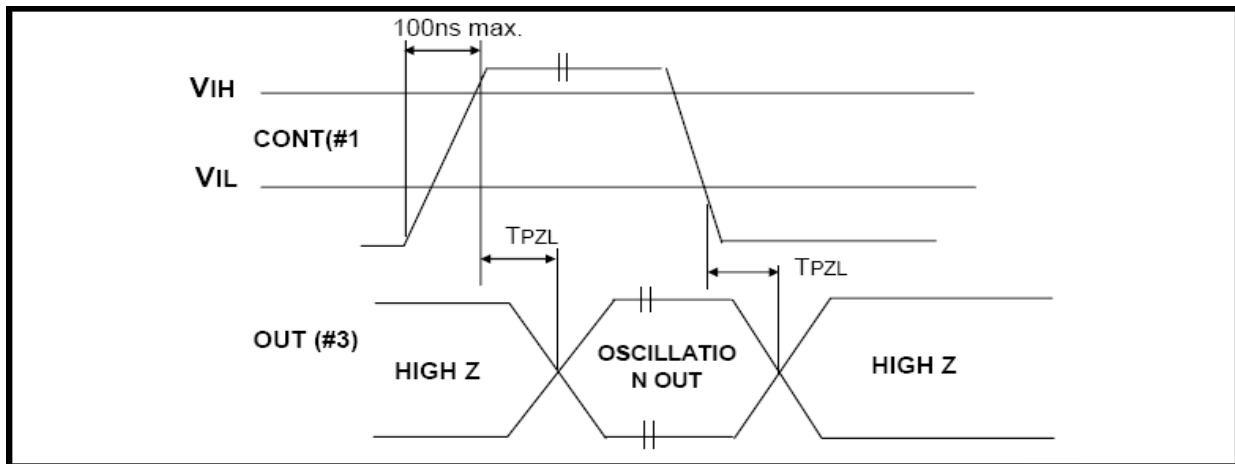


■ Measurement Circuit

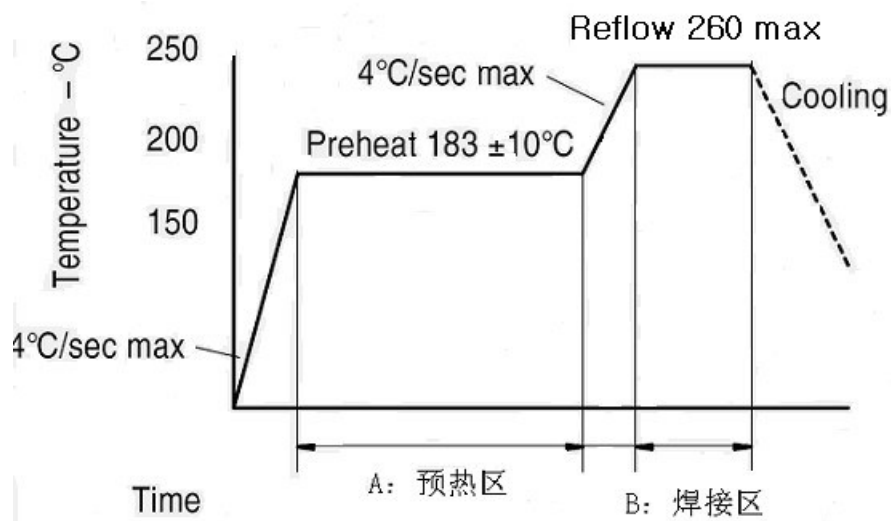
Output Wave Form



■ Input Output Condition



■ Reflow Profile



雅晶鑫電子

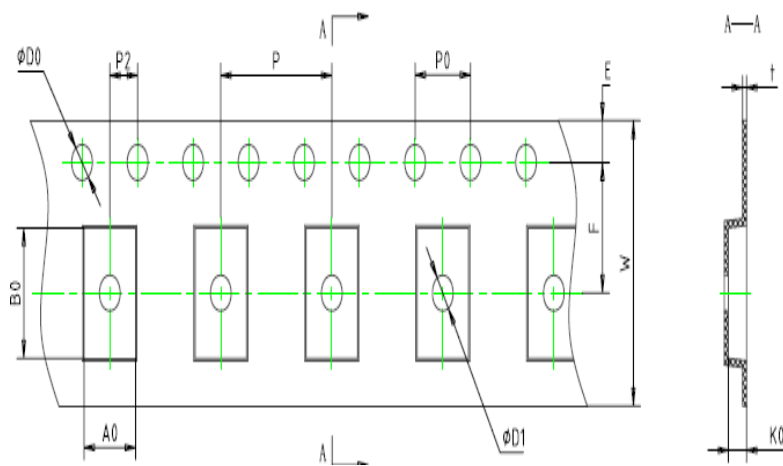
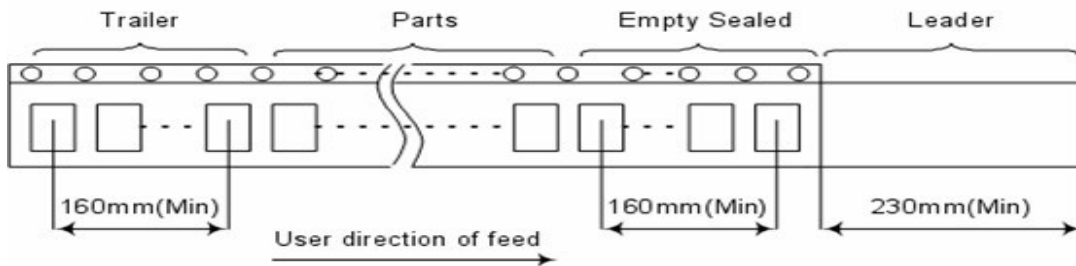
■ Reliability Specifications

No	Test Item	Test Methods
1	DROP TEST	Device are dropped from a height of 75 cm onto 3 mm thickness stainless plate executing 3 times of random drops.
2	MECHANICAL SHOCK	Device are shocked to half sine wave (1000 G) three mutually perpendicular axes each 3 times.
3	High Temp and Humidity Test	85°C/RH 85%, 500Hrs
4	High temp storage test	125°C+/-2°C 500Hrs
5	Low temp storage test	-40°C 500Hrs
6	Thermal shock test	-40°C~+85°C DWEL 60' 100cycles
7	Aging test	85°C 1000Hrs
8	Resistance to solder heat	260°C 10S
9	VIBRATION	Frequency range 10-2000 Hz Amplitude Sweep 1.5 mm Sweep Time 20 minute Test Time 2 hours
10	SOLDERABILITY	MIL - STD - 20E Method 208C Temperature 245°C±5°C Material H63A (Silver 2-3 %) Immersion depth 0.5 mm minimum Immersion time 3 ± 0.5 seconds Flux Rosin resin methyl

*****6*****

雅晶鑫電子

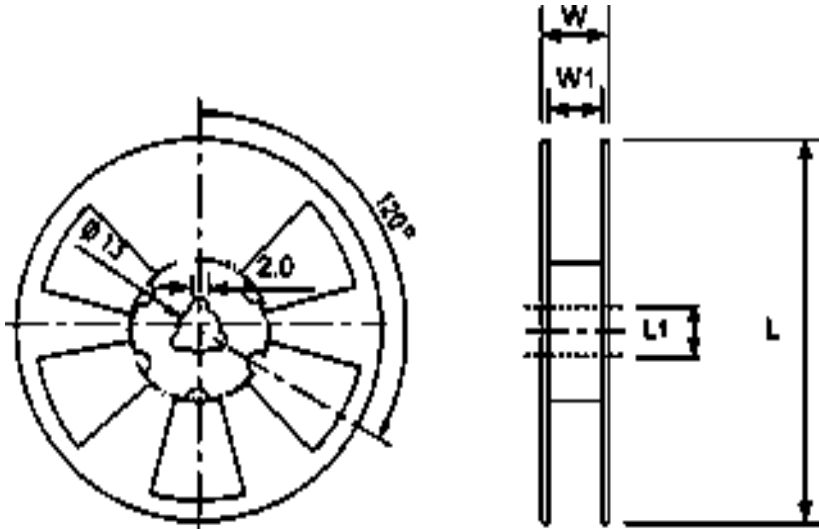
■ Packing



外觀	尺寸 (mm)
E	1.75 ± 0.10
E2	10.25MIN
F	5.50 ± 0.10
P2	2.00 ± 0.10
$\phi D0$	$1.50^{+0.10}_{-0.05}$
$\phi D1$	1.50MIN
P0	4.00 ± 0.10
10PC	40.00 ± 0.2
W	12.00 ± 0.30
P	8.00 ± 0.10
A0	3.70 ± 0.10
B0	5.50 ± 0.10
K0	1.30 ± 0.10
t	0.30 ± 0.05

雅晶鑫電子

■ Reel Dimension



DIMENSIONS ϕ	L ϕ	L1 ϕ	W ϕ	W1 ϕ	Pcs/Reel (UNIT: mm) ϕ
		178 ϕ	13 ϕ	12.0 \pm 0.3 ϕ	11.5 ϕ

NOTE: 1. packgeing q'ty 1000PCS /REEL