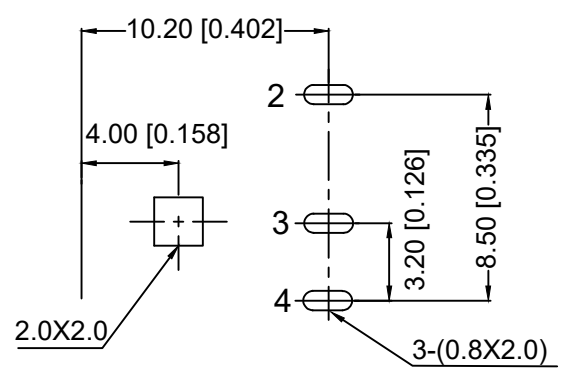
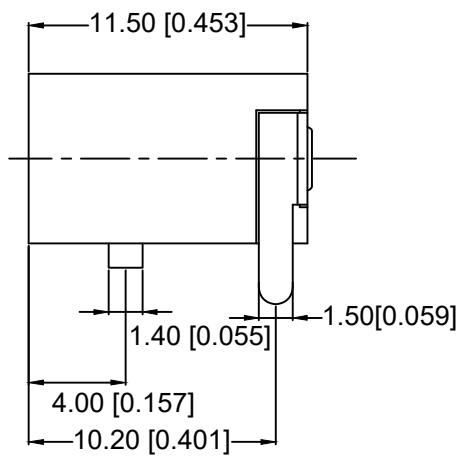


MATING PLUG
Jack Insertion Depth: 8.2 mm

SCHEMATIC	
Model	DC-0440-2.5A
Center Pin	Ø1.65 mm
	Ø2.0 mm
	Ø2.5 mm



	MATERIAL	PLATING
center pin	Brass	silver
terminal 1	Brass	silver
terminal 2	Phosphor Bronze	silver
terminal 3	Brass	silver
plastic	Pbt	

—		new		2015/5/3	A	
ECN BO.		DESCRIPTION.		DATE.	REV.	
DESIGNED	CHECKED	APPROVAL	DRAWING NUMBER	SCALT: 1/2		SCALE: 3:1
Mikey	Tom	Jerry	PART NAME	DC-0440-2.5	UNLESS OTHERWISE SPECIFIED, TOLERANCE:	X. ±0.25
			MODEL NAME	DC-0440-2.5		X.x ±0.20
			3RD ANGLE PROJ	HANYONES TECH CO.,LTD		X.xx ±0.15
						ANGULAR ±3'
						FILE. NO.