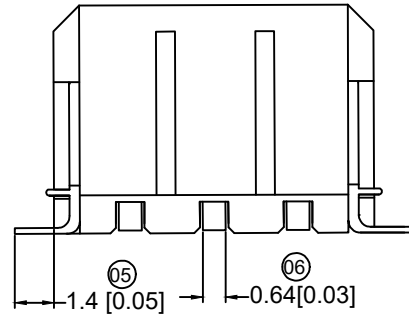
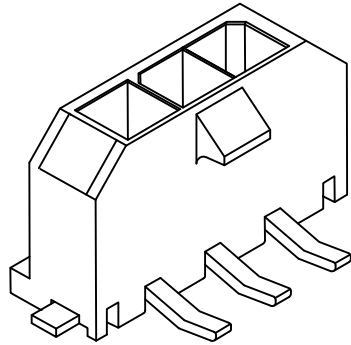
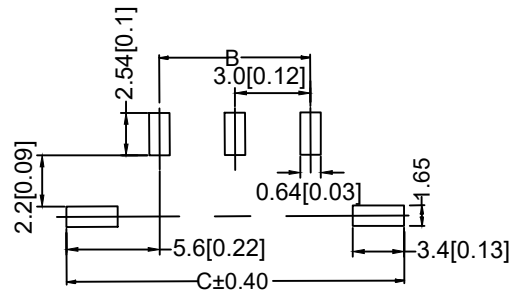
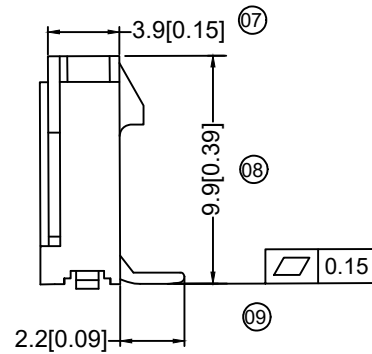
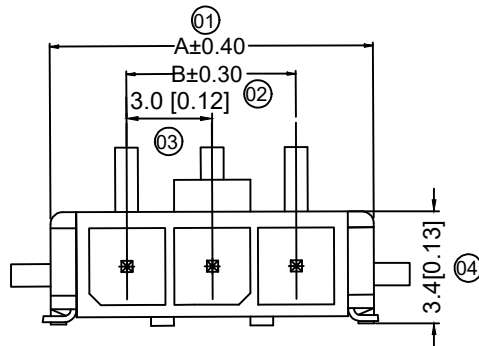


AUTODESK



Specifications :

- Voltage rating: 250V AC / DC
- Current rating: 5A AC / DC
- Withstanding voltage: 1000V AC/minute
- Temperature range: -25 C 85 C
- Insulation resistance: 1000M
- Contact resistance: 10m
- After environmental testing : 20m
- Mark " " Indicate Dimensions Need To Controlled In Emphasis



3025 W V S- XX D-LP

- ① Series No.
- ② Category :
- ③ W-wafer
- ④ Welding Board Angle:
- ⑤ V-180
- ⑥ Welding Way:
- ⑦ S-SMT
- ⑧ Row No.-Pin No.
- ⑨ XX-Single row
- ⑩ Special NO.
- ⑪ D-Solder Tabs
- ⑫ Material :
- ⑬ LP-LCP 94V-0

| Poles | Dimension s mm | | |
|-------|----------------|-------|-------|
| | A | B | C |
| 02 | 9.70 | 3.00 | 12.50 |
| 03 | 12.70 | 6.00 | 15.50 |
| 04 | 15.70 | 9.00 | 18.50 |
| 05 | 18.70 | 12.00 | 21.50 |
| 06 | 21.70 | 15.00 | 24.50 |
| 07 | 24.70 | 18.00 | 27.50 |
| 08 | 27.70 | 21.00 | 30.50 |
| 09 | 30.70 | 24.00 | 33.50 |
| 10 | 33.70 | 27.00 | 36.50 |
| 11 | 36.70 | 30.00 | 39.50 |
| 12 | 39.70 | 33.00 | 42.50 |

| | | | | | | |
|--------------|--------------|--------------|----------------|-----------------------|---------------------|---------|
| 3025 WVS-XXD | LCP UL 94V-0 | Brass | Tin Plated Fog | | Tin Plated Fog | 3025WVS |
| 3025 WVS-XXD | LCP UL 94V-0 | Brass | Tin-Plated | Brass | Tin-Plated | |
| PART NO | Material | Material Pin | Finish Pin | Material Solder(Tabs) | Finish Solder(Tabs) | |

| ECN BO. | | DESCRIPTION. | | DATE. | REV. | SCALE: 3:1 |
|----------|---------|--------------|----------------|-----------------------|--|-------------|
| DESIGNED | CHECKED | APPROVAL | DRAWING NUMBER | | | |
| Mikey | Tom | Jerry | PART NAME | 3025WVS-08D | UNLESS OTHERWISE SPECIFIED, TOLERANCE: | X ±0.25 |
| | | | MODEL NAME | 3025WVS-08D | | X.x ±0.20 |
| | | | 3RD ANGLE PROJ | HANYONES TECH CO.,LTD | | X.xx ±0.15 |
| | | | | | | ANGULAR ±3' |
| | | | | | | FILE. NO. |

