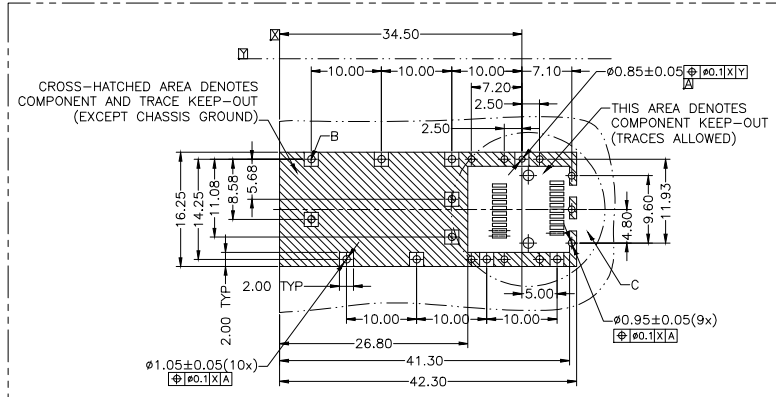
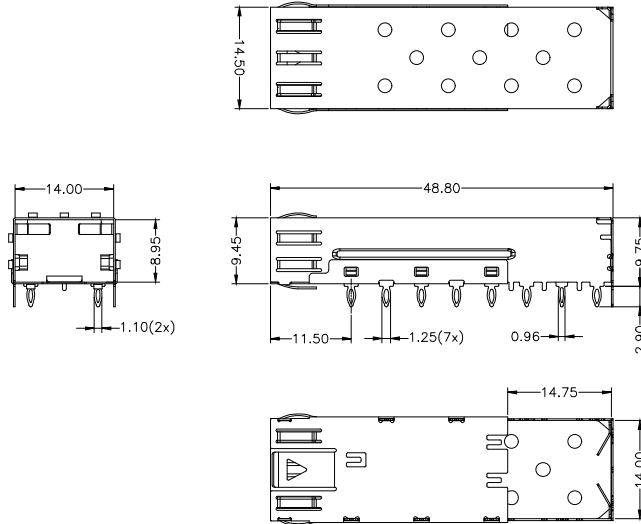
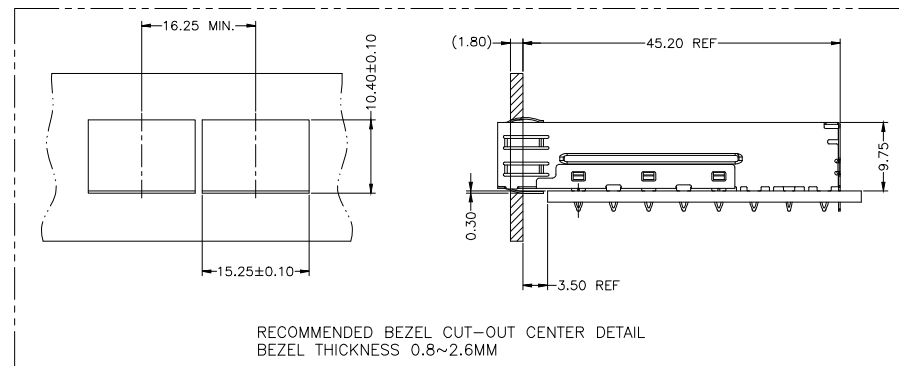


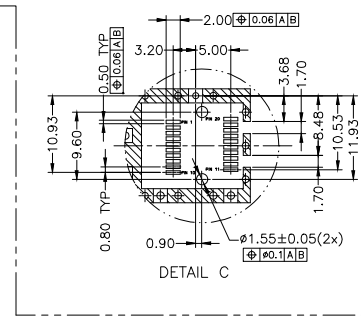
NOTES:  
 MECHANICAL:  
 TOP CAGE: COPPER ALLOY, THICKNESS 0.25MM.  
 BOTTOM CAGE: STAINLESS STEEL SUS304, THICKNESS 0.25MM.  
 THIS CAGE IS FOR SINGLE SIDE USE ONLY.  
 TEMPERATURE:  
 OPERATION: -40°C~+85°C  
 STORAGE: -55°C~+105°C  
 RoHS COMPLIANCE.



RECOMMENDED PCB LAYOUT-COMPONENT SIDE  
 PCB THICKNESS 1.6MM MIN  
 TOLERANCE: ±0.05 MM



RECOMMENDED BEZEL CUT-OUT CENTER DETAIL  
 BEZEL THICKNESS 0.8~2.6MM



DETAIL C

			GENERAL TOLERANCE		制图 DRAWING		深圳市华灿天禄电子有限公司 ShenzhenhuacantianluELECTRONICS CO.,LTD				
			DIM	TOL	审核 CHECK		产品名称 TITLE		SPF 外壳 (压接式)	版本 REV.	A
			X.X	±0.30	批准 APPROVAL		产品料号 PART NO.		HC-SFP-03L	单位 UNITS	mm
1			初版发行				材料			页次 SHEET	1/1
序号 No.	变更内容 MODIFY CONTENT	日期 MODIFY DATE	Angle		±3.0°	投影 Projection	材料 MATERIAL				