

D V 7 S A -04 F - 01

Dip Switch

Appearance
H=Horizontal
V=Vertical

Pin Pitch
7=1.27 Pitch
5=2.54 Pitch

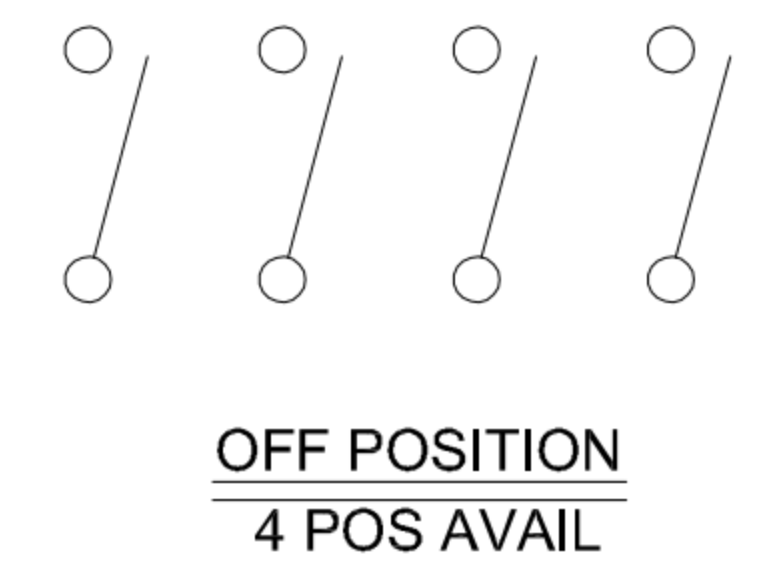
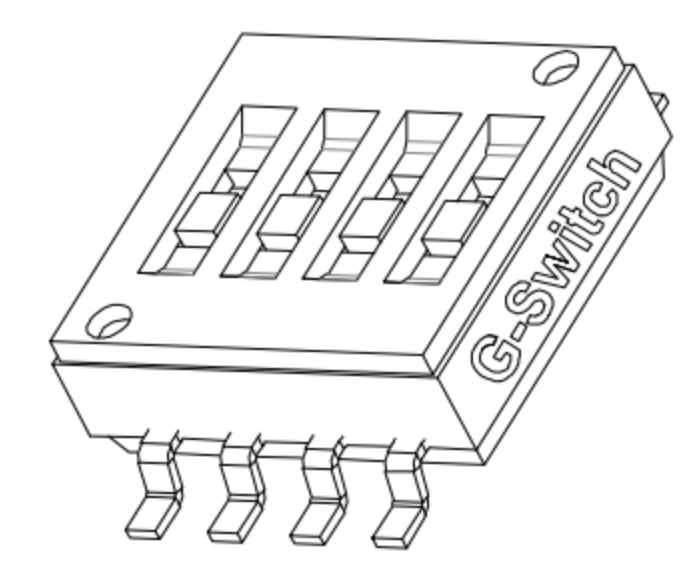
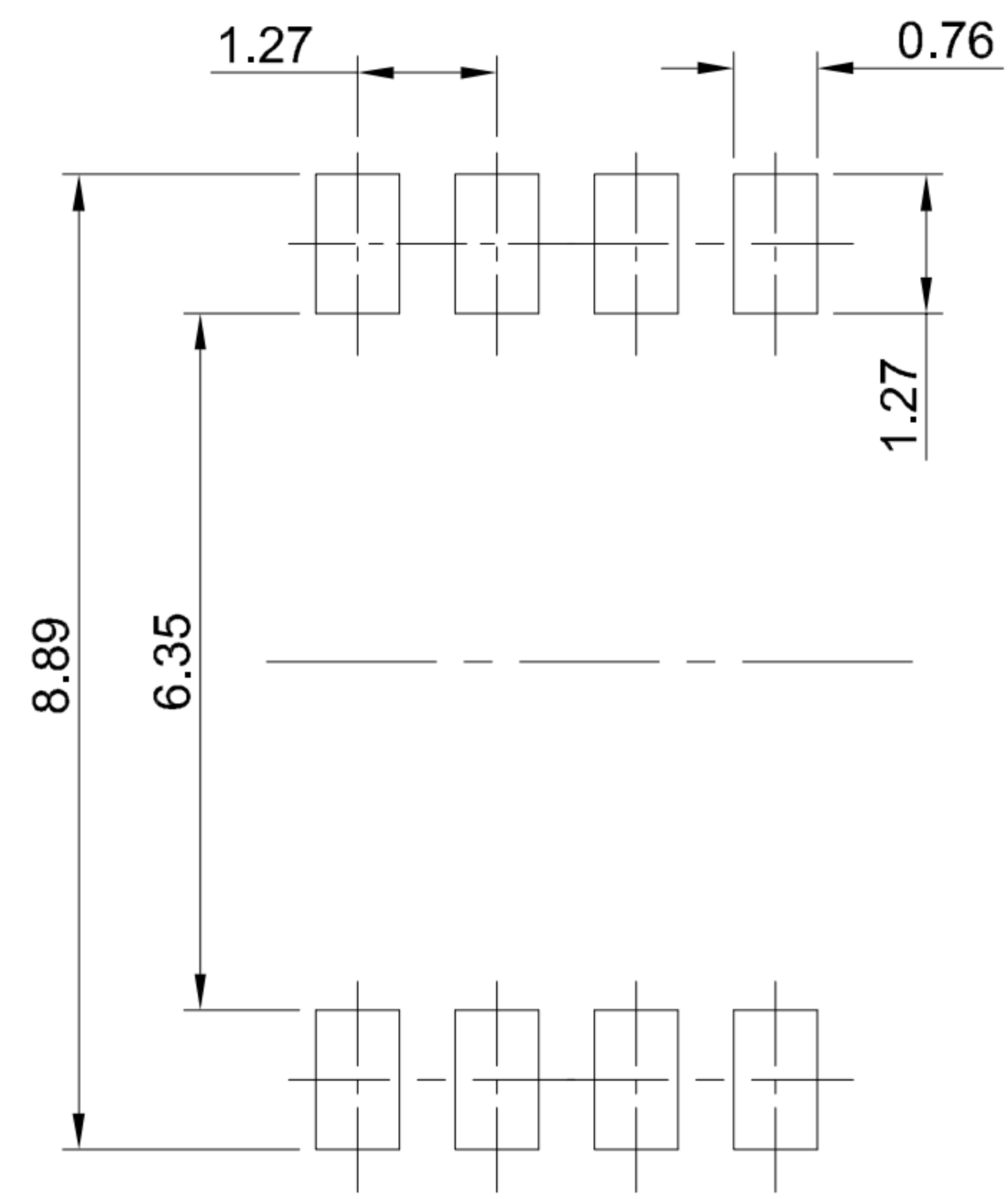
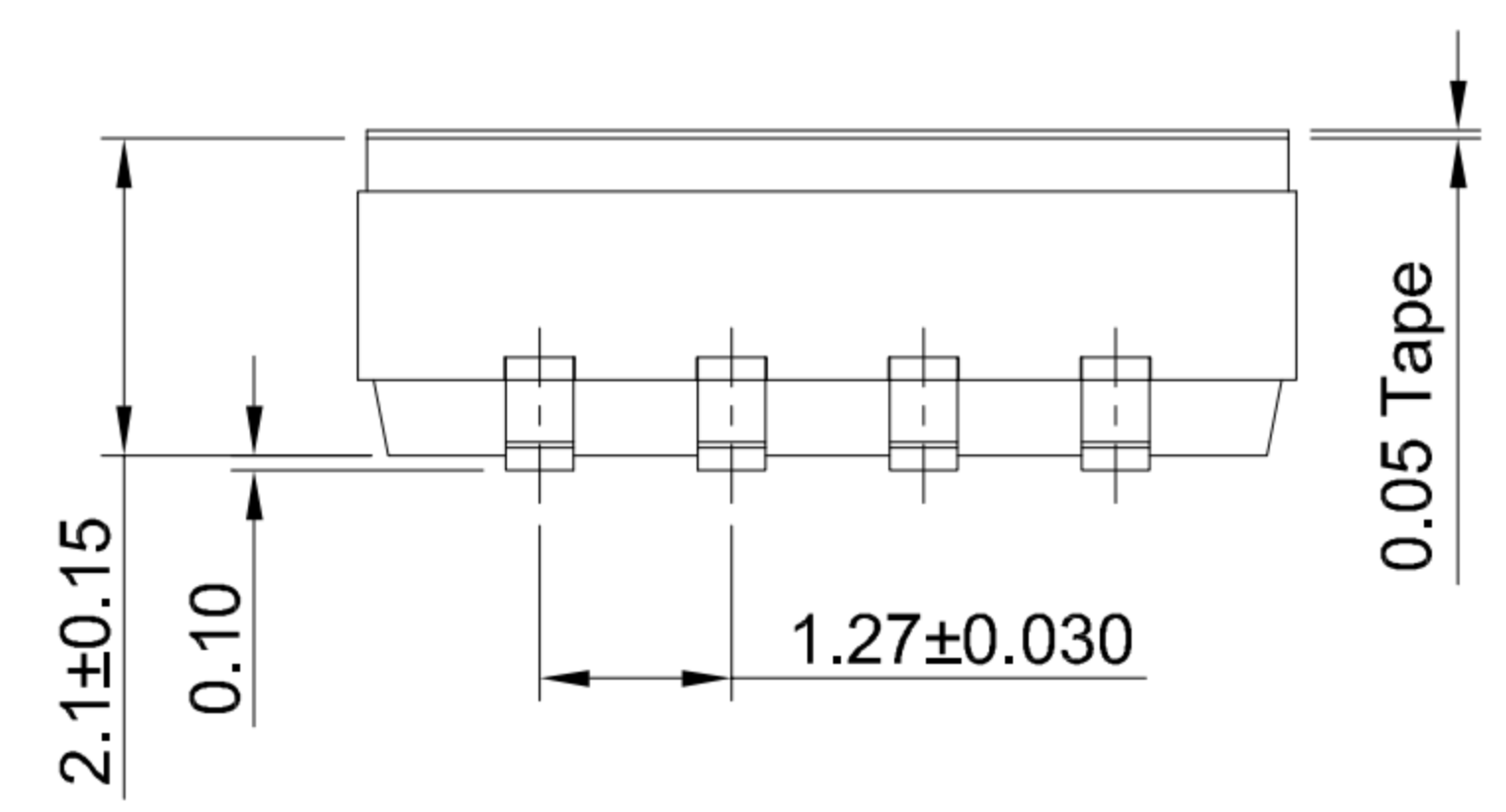
PCB Form
S=SMT
D=DIP

G-Switch Type
A= A Type

Extended Encoding
01=Stick Mylar
02=Not have Mylar

Position
N=ON
F=OFF

Part No.
01=01Pin 02=02Pin
03=03Pin 04=04Pin
05=05Pin 06=06Pin
07=07Pin 08=08Pin
09=09Pin 10=10Pin
11=11Pin 12=12Pin



G-Switch Specification:

1. Operating temperature range: -40°C ~ +85°C
2. Rating: 50mA, 12V DC
3. Insulation resistance: 100MΩ min. 100V DC
4. Dielectric strength: 250V AC for 1 min
5. Contact resistance: 100m Ω max.
6. Travel: 0.7±0.1mm
7. Operating Life: 1,000 cycles

1	MYLAR	PI	YELLOW
2	COVER	HTN FR52G30	BLACK
3	ACTUATOR	LCP-E6006L	TRUE QUALITIES
4	TETMINAL CONTACT	COPPER ALLOY(C5240)	CONDUCTION POSITION GOLD PLATING
5	BASE	HTN FR52G30	BLACK
6	TERMINAL	COPPER ALLOY(C5191)	CONDUCTION POSITION GOLD PLATING
NO.	PART NAME	MATERIAL	REMARK



SCALE: 1:1 UNIT: mm
SIZE: A4

Unless otherwise General Tolerance:
X ±0.30
X.x ±0.20
X.xx ±0.15
X.xxx ±0.10
Angles ±3°

Title: Horizontal 1.27 Pitch Dip Switch
SMT 4Pin Off Stick Mylar

Molde Code: DV7SA-04F-01

DRAWN	CHECKED	APPROVED	DATE
Xia	Chen	Chen	2023.04.24



REV: A0 SHEET: 1/1