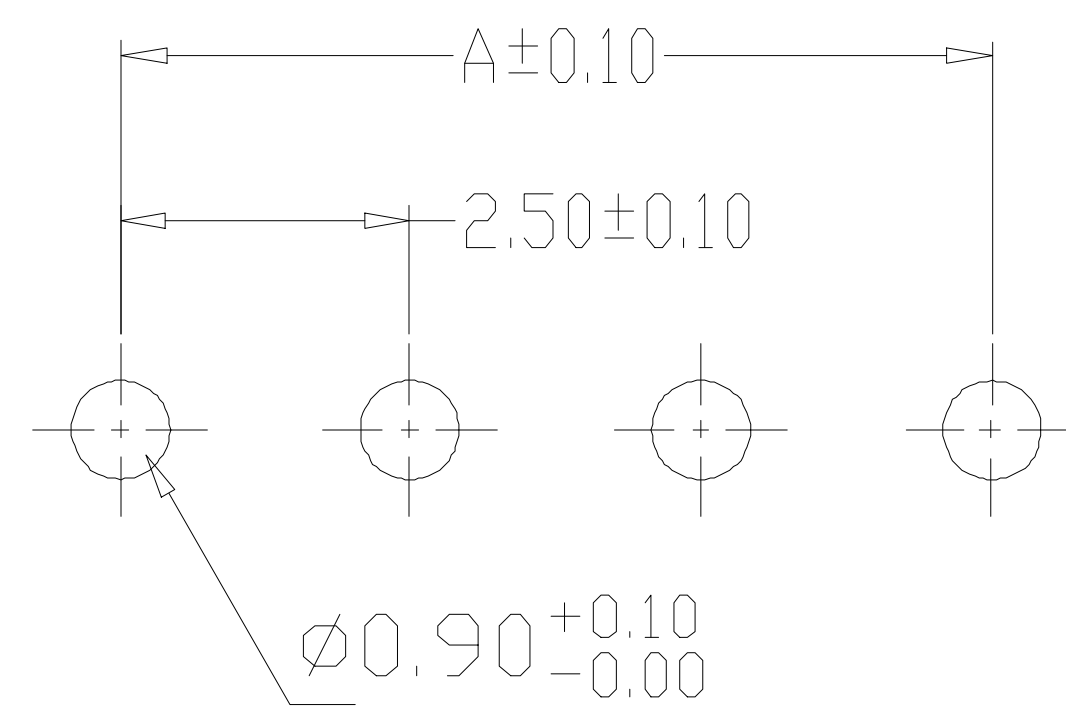
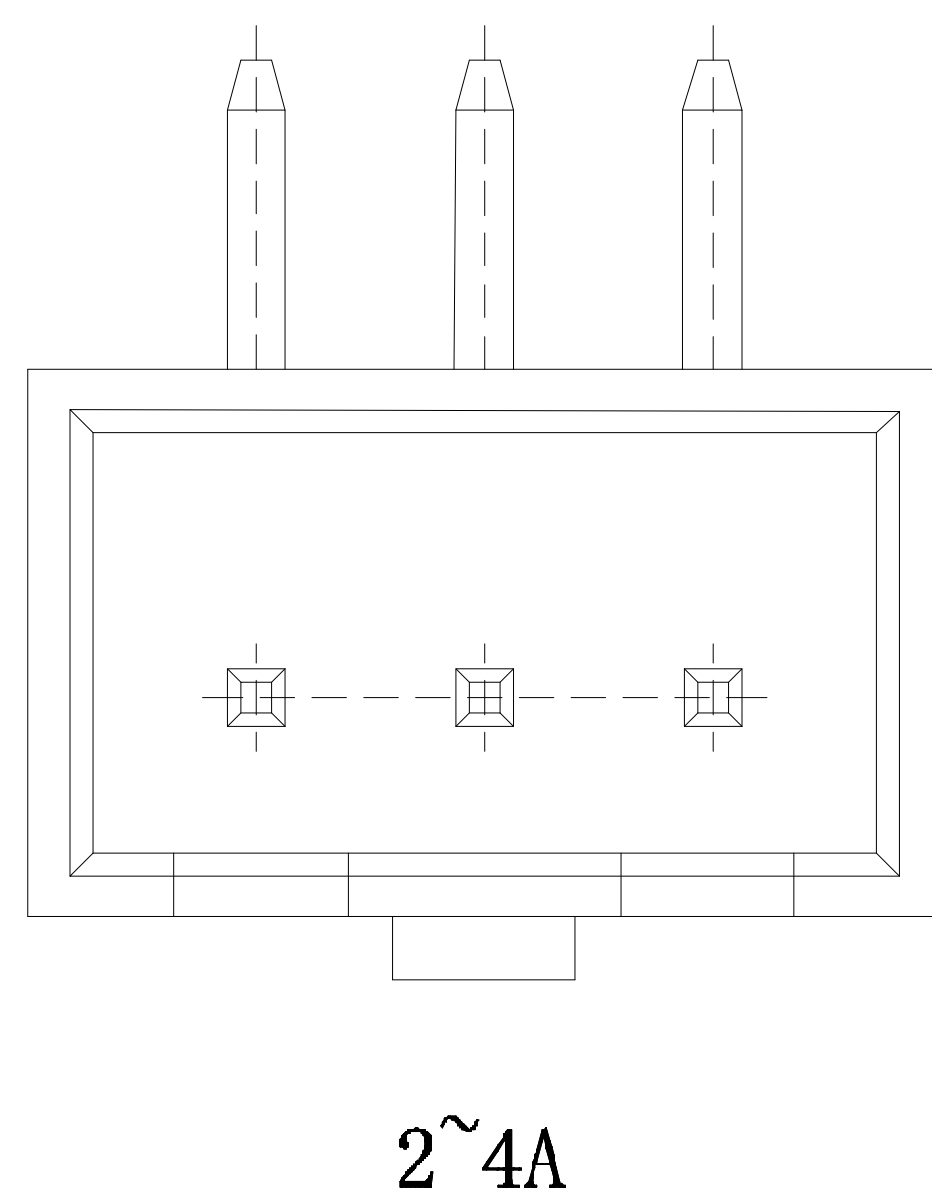
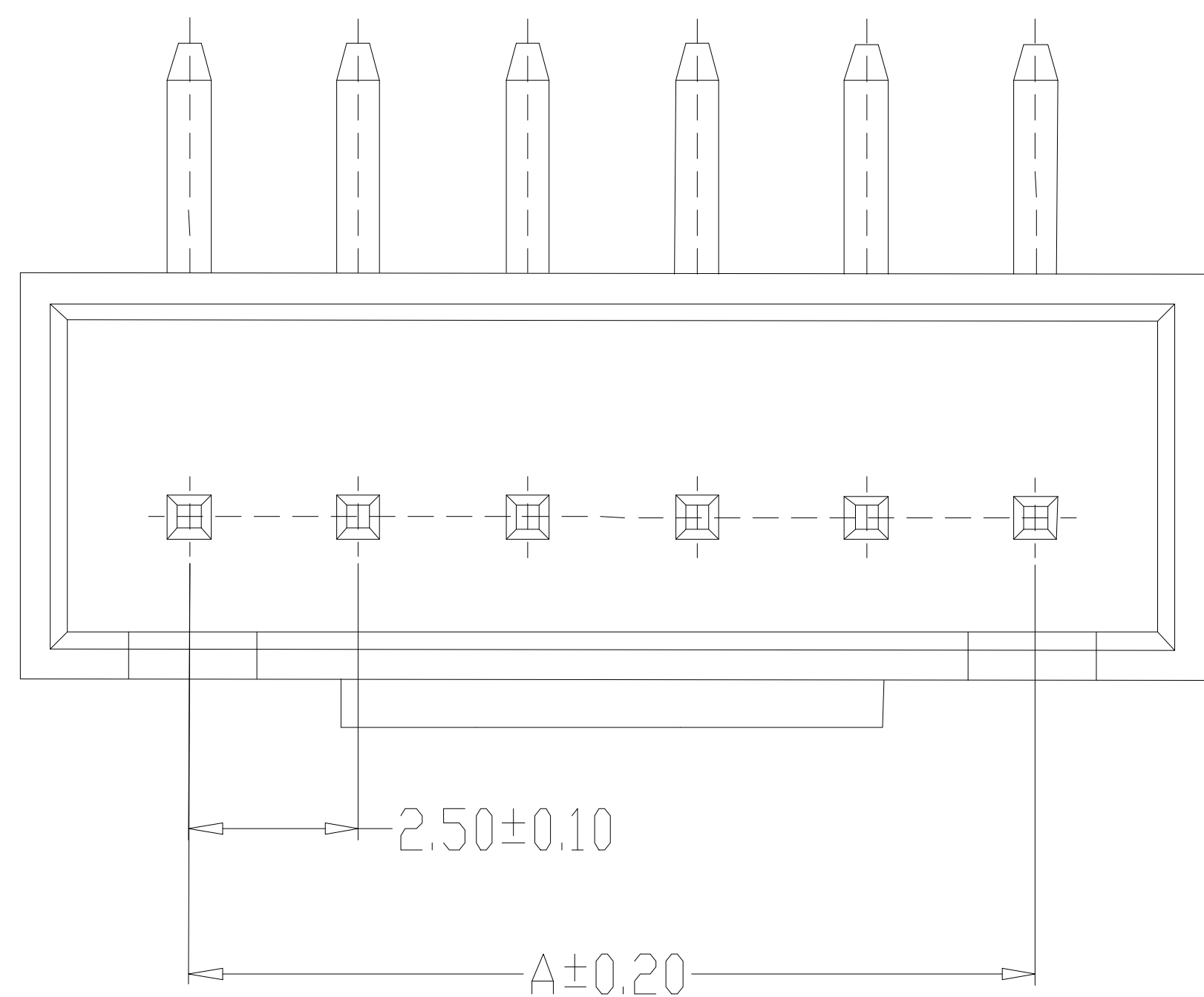


### SPECIFICATIONS

- 1、Current Rating: 3A AC, DC
- 2、Voltage Rating: 250V AC, DC
- 3、Temperatuer Range:  $-25^{\circ}\text{C} \sim +85^{\circ}\text{C}$
- 4、Contact Resistance:  $20\text{m}\Omega$  Max
- 5、Insulation Resistance:  $1000\text{M}\Omega$  Min
- 6、Withstanding Voltang:  $1000\text{V AC/minute}$
- 7、Material: Wafer Nylon66, UL94V-0  
PIN Brass Tin-plated



### PCB LAYOUT

编号	尺寸 (mm)	
	A	B
A2504-02AW	2.50	7.50
A2504-03AW	5.00	10.00
A2504-04AW	7.50	12.50
A2504-05AW	10.00	15.00
A2504-06AW	12.50	17.50
A2504-07AW	15.00	20.00
A2504-08AW	17.50	22.50
A2504-09AW	20.00	25.00
A2504-10AW	22.50	27.50
A2504-11AW	25.00	30.00
A2504-12AW	27.50	32.50
A2504-20AW	47.50	52.50

制图 DRAWN	变更内容 DESCRIPTION	日期 DATE	GENERAL TOLERANCE		制图 DRAWING	料号 PART NO.	ZX-HA2.54-2PWZ	版本 REV.	A
			X $\pm$ 0.25	X $^{\circ}$ $\pm$ 2 $^{\circ}$					
			.X $\pm$ 0.20	.X $^{\circ}$ $\pm$ 1 $^{\circ}$	核准 APPROVAL	客户料号 CUTM. NO.			
			.XX $\pm$ 0.15	.XX $^{\circ}$ $\pm$ 0.5 $^{\circ}$	单位 UNITS	MM	比例 SCALE	1:1	
			.XXX $\pm$ 0.10	.XXX $^{\circ}$ $\pm$ 0.5 $^{\circ}$					