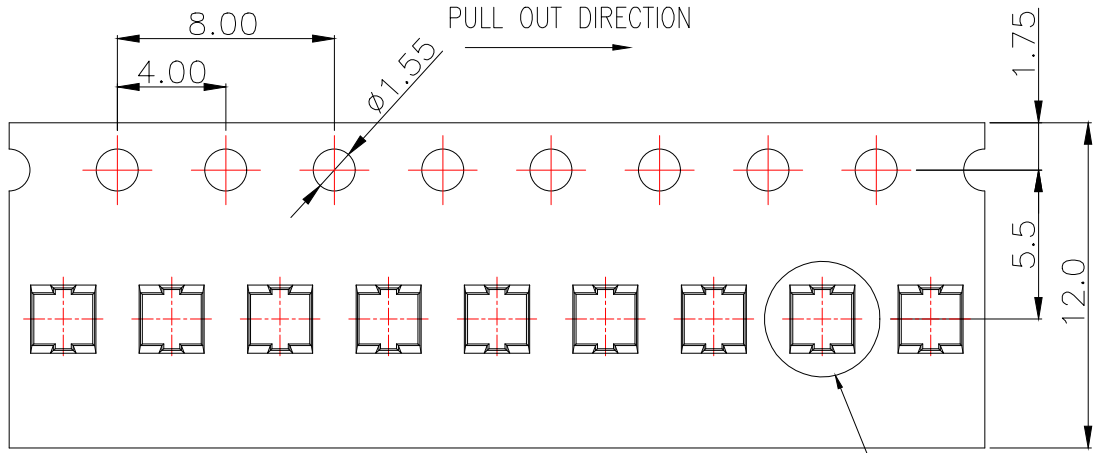


RECOMMENDED PCB LAYOUT
(TOLERANCE:±0.05)

NOTES :

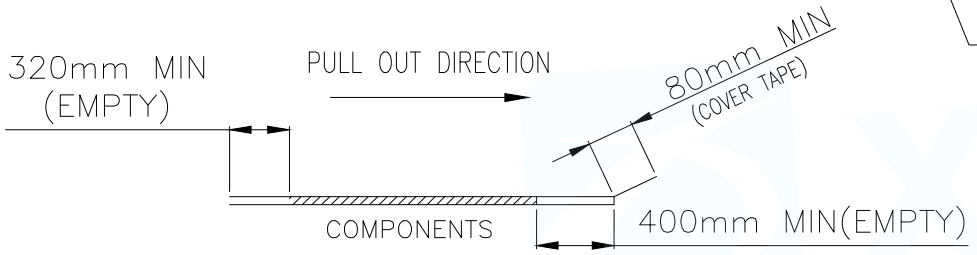
- 1.0. RATING :
 - 1.1. VOITAGE :60 VAC (R.M.S.)
 - 1.2. NOMINAL CHARACTERISTIC IMPEDANCE: 50 Ohm
 - 1.3. APPLICABLE FREQUENCY: DC ~ 6GHz
 - 1.4. VSWR: 1.3 MAX. (DC~3GHz), 1.5 MAX. (3~6GHz)
 - 1.5. TEMPERATURE :-40°C TO +85°C
- 2.0. ALL DIMENSIONS SHOULD BE CONTROLLED IN FAI:
- 3.0. MARKED ▽ SHOULD BE CONTROLLED BY QIP.:

MANUFACTURE DWG		东莞市讯普电子科技有限公司 DongGuan XunPu Electronics Co.,Ltd	
UNLESS OTHERWISE SPECIFIED TOLERANCES			TITLE: MICRO RF IV BOARD SMT TYPE PACKING DWG
DECIMALS:	ANGLES:		PAR IPEX-004
X.X±0.20	.*±3.0°		DWN
X.XX±0.10	X.*±2.0°		CHKD
X.XXX±0.05	X.X*±1.0°	APVD	SCALE:1:1 UNIT:MM
CUSTOMER COPY		SIZE:A4	SHEET:1F1 REV:A

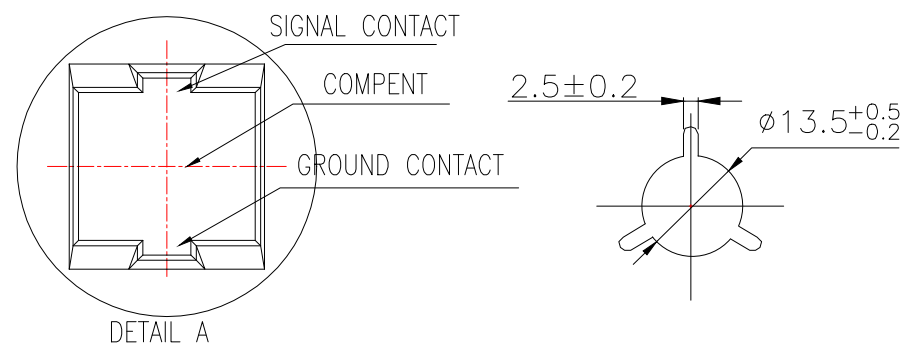
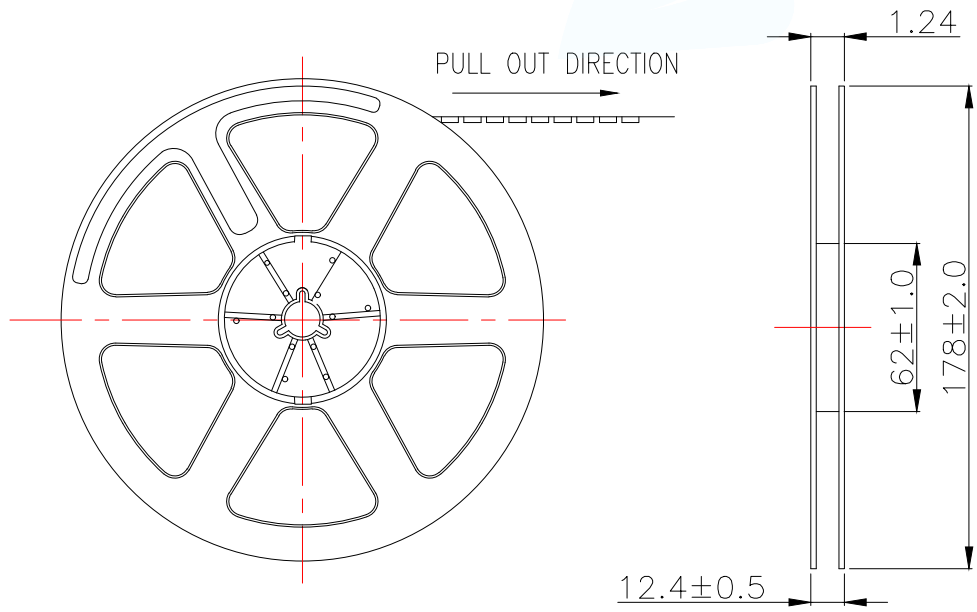


NOTES:

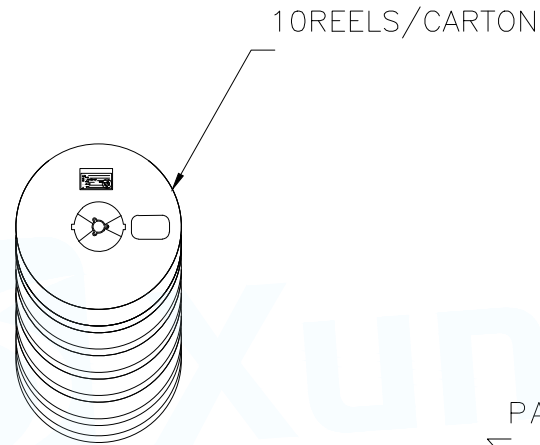
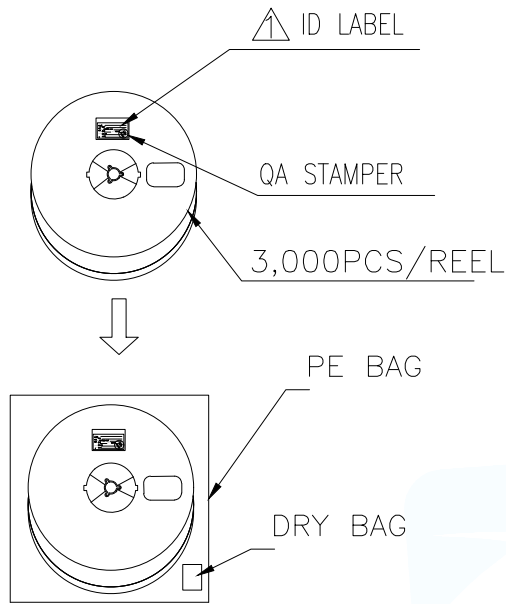
- MATERIAL :
 - 1.1 EMBOSSED CARRIER: PET
 - 1.2 COVER TAPE: PET
 - 1.3 SHIPPING CARTON: CORRUGATED FIBER
- DIMENSION :
 - 2.1 REEL: W=12.4
 - 2.2 SHIPPING CARTON: L=190, W=190, H=190
- PEELING RESISTANCE: 10gf~130gf.
- QUANTITY/WEIGHT :



PART NO.	PRIMARY PACKING	SECONDARY PACKING	NET WEIGHT	GROSS WEIGHT
IPEX-004	3000PCS/REEL	30000PCS/BOX	0.18KG/REEL	2.00KG/BOX



MANUFACTURE DWG		东莞市讯普电子科技有限公司 DongGuan XunPu Electronics Co.,Ltd	
UNLESS OTHERWISE SPECIFIED TOLERANCES			TITLE: MICRO RF IV BOARD SMT TYPE PACKING DWG
			PAR: IPEX-004
DECIMALS:	ANGLES:		DWN
X.X±0.20	°±3.0°		CHKD
X.XX±0.10	X.*±2.0°	APVD	
X.XXX±0.05	X.X*±1.0°	CUSTOMER COPY	SCALE:1:1 UNIT:MM
		SIZE:A4	REV:A



品名 NAME: _____

料号 PART No: _____

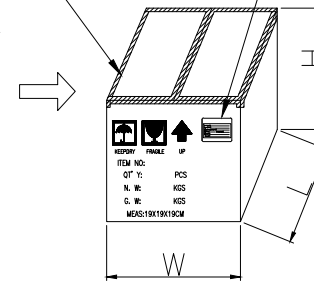
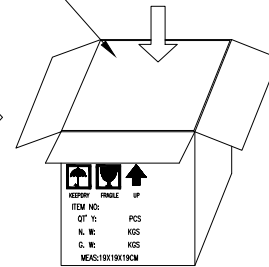
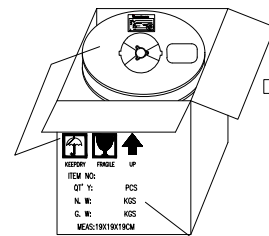
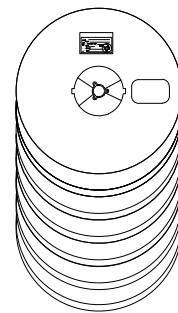
客户料号 CUSTOMER PART No: _____

数量 Q'TY: _____ 重量 WEIGHT: _____

批次 LOT No: _____

日期 DATE : _____

ID LABEL



QT' Y: 30,000 PCS
N. W: 0.077 KGS
G. W: 1.033 KGS
MEAS:19X19X19CM

MANUFACTURE DWG		 东莞市讯普电子科技有限公司 DongGuan XunPu Electronics Co.,Ltd	
UNLESS OTHERWISE SPECIFIED TOLERANCES			TITLE: MICRO RF IV BOARD SMT TYPE PACKING DWG
DECIMALS:	ANGLES:		PAR IPEX-004
X.X±0.20	.°±3.0°		DWN
X.XX±0.10	X.°±2.0°		CHKD
X.XXX±0.05	X.X°±1.0°	APVD	SCALE:1:1 UNIT:MM
CUSTOMER COPY		SIZE:A4	SHEET:1F1
			REV:A