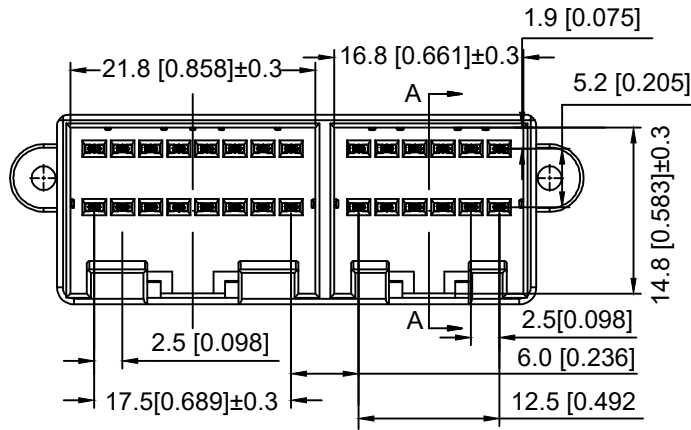
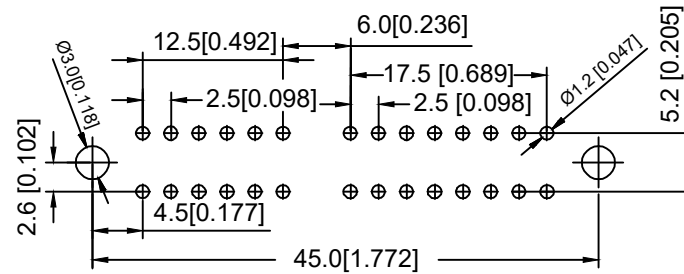


Current rating:3A AC/DC
 额定电流: 3A AC/DC
 Temperature range:-40°C-+125°C
 温度范围: -40°C-+125°C

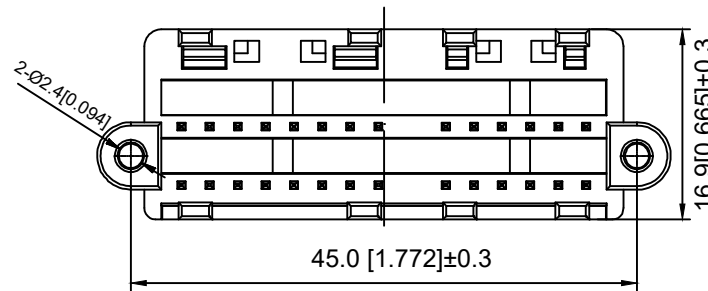
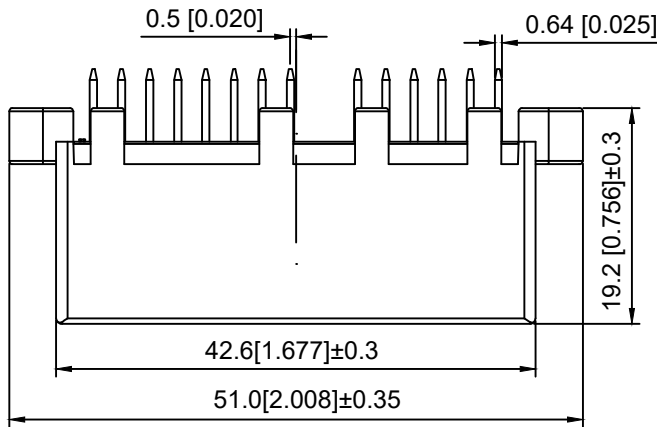


SEC:A-A



K 174051 W V - 2xXX - PT SN
 ① ② ③ ④ ⑤ ⑥ ⑦

- 1.K: XKBTEK-Car Connector
- 2.XKB Series No
- 3.Category:W-Wafer
- 4.Welding Board Rangle:V-Stright 180°
- 5.Row No.Pin No:2xXX-2x14 Pin
- 6.Material:PT-PBT
- 7.Palting:SN-Plated Tin



K174051WV-2xXX-PTS	PBT	Brass	K174051H-2x08 K174051H-2x06
PART NO	Material	Material(Pin)	Suitable XKB Housing

DSND	SCALE: N/A	MODEL TYPE:
DWN	VIEW:	2.5mm Automobile connector
CHKD	UNIT: mm/in	PART NO.:
APPD	SIZE: A4	K174051WV-2xXX-PTS
		DWG NO.:
		X-K174051WV-2xXX-PTS
		WEIGHT
		SHEET
		REVISION
		1/1
		A0

					ANGLAR	±5°
ΔX					L ≤ 4	±0.2
ΔX					4 < L ≤ 16	±0.3
ΔX					16 < L ≤ 63	±0.4
MARK	DESCRIPTION	DATE	REVISED	APPROVED	L > 63	±0.5
REVISIONS					UNSPECIFIED TOLERANCES	



XKB INDUSTRIAL PRECISION CO., LIMITED