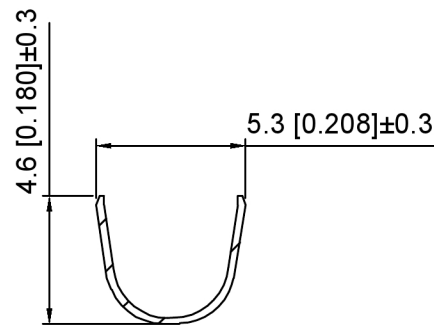
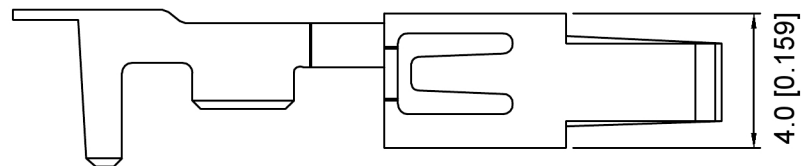
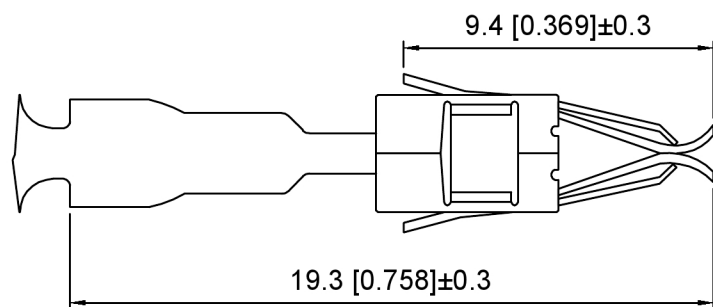


SEC:A-A



SEC:B-B



Current rating:25A AC/DC  
 额定电流: 25A AC/DC  
 Temperature range:-40°C~+125°C  
 温度范围: -40°C~+125°C

K 828801 T - P SN  
 ① ② ③ ④ ⑤

- 1.K: XKBTEK-Car Connector
- 2.XKB Series No
- 3.Category:T-Terminal
- 4.Material:Phosphor Bronze
- 5.Plating:SN-Plated Tin

K828801T-PSN	Phosphor Bronze	AWG#18~10	K828801H
PART NO	Material	Wire Range	Suitable XKB Housing

DSND	SCALE: N/A	MODEL TYPE: 5.0mm Automobile connector
DWN	VIEW:	PART NO.: K828801T-PSN
CHKD	UNIT: mm/in	DWG NO.: X-K828801T-PSN
APPD	SIZE: A4	

WEIGHT	SHEET	REVISION
	1/1	A0



XKB INDUSTRIAL PRECISION CO.,LIMITED

ANGLAR	±5°
L ≤ 4	±0.2
4 < L ≤ 16	±0.3
16 < L ≤ 63	±0.4
L > 63	±0.5

UNSPECIFIED TOLERANCES

MARK	DESCRIPTION	DATE	REVISED	APPROVED
ΔX				
ΔX				
ΔX				

REVISIONS