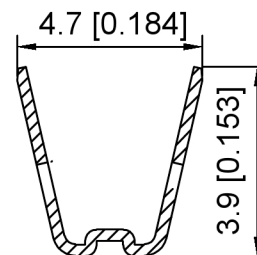
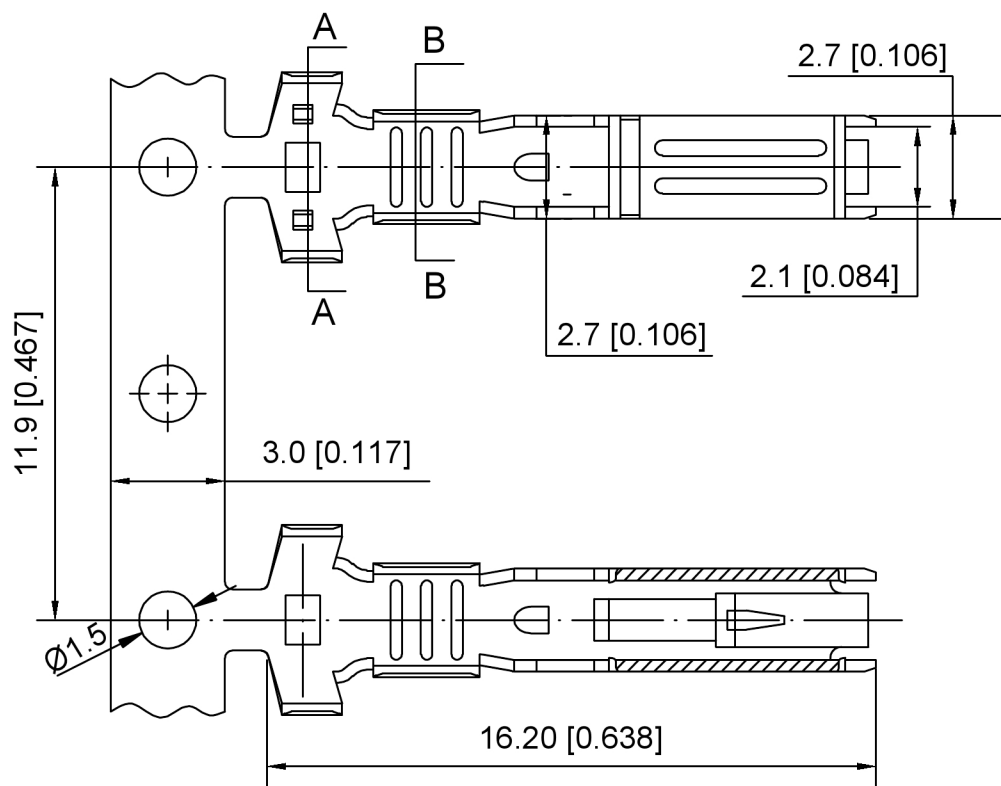
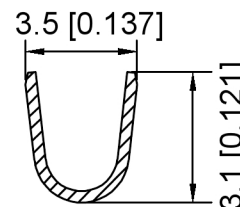


Current rating:3A AC/DC
 额定电流: 3A AC/DC
 Temperature range:-40°C-+125°C
 温度范围: -40°C-+125°C



SEC:A-A



SEC:B-B

K 174960 T - P SN - X - C
 ① ② ③ ④ ⑤ ⑥ ⑦

- 1.K: XKBTEK-Car Connector
- 2.XKB Series No
- 3.Category:T-Terminal
- 4.Material:P-Phosphor Bronze
- 5.Plating:SN-Plating Tin
- 6.Special No:H-High foot ;M-Low foot
- 7.Type:C-Class C terminal

K174960T-PSN-H-C	Phosphor Bronze	AWG#16~18	K174960H
K174960T-PSN-M-C		AWG#18~20	
PART NO	Material	Wire Range	Suitable XKB Housing

DSND	SCALE: N/A	MODEL TYPE: 3.5mm Automobile connector
DWN	VIEW:	PART NO.: K174960T-PSN-X-C
CHKD	UNIT: mm/in	DWG NO.: X-K174960T-PSN-X-C
APPD	SIZE: A4	

					ANGLAR	±5°
Δx					L ≤ 4	±0.2
Δx					4 < L ≤ 16	±0.3
Δx					16 < L ≤ 63	±0.4
MARK	DESCRIPTION	DATE	REVISED	APPROVED	L > 63	±0.5
REVISIONS					UNSPECIFIED TOLERANCES	
www.helloxkb.com www.helloxkb.cn www.xk-dg.cn						



XKB INDUSTRIAL PRECISION CO., LIMITED

WEIGHT	SHEET	REVISION
	1/1	A0