

Current rating:3A AC/DC
 额定电流: 3A AC/DC
 Temperature range:-40°C~+125°C
 温度范围: -40°C~+125°C

K 174960 W V - XX - PT SN
 ① ② ③ ④ ⑤ ⑥ ⑦

- 1.K: XKBTEK-Car Connector
- 2.XKB Series No
- 3.Category:W-Wafer
- 4.Welding Board Range:V-Stright 180°
- 5.Row No.Pin No:XX-12 Pin
- 6.Material:PT-PBT
- 7.Palting:SN-Plated Tin

K174960WV-XX-PTSN	PBT	Phosphor Bronze	K174960H
PART NO	Material	Material(Pin)	Suitable XKB Housing

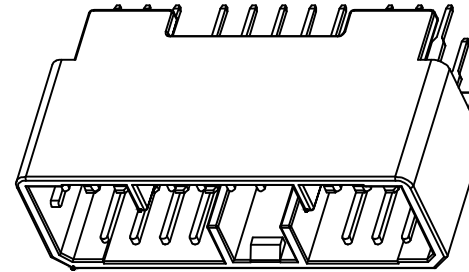
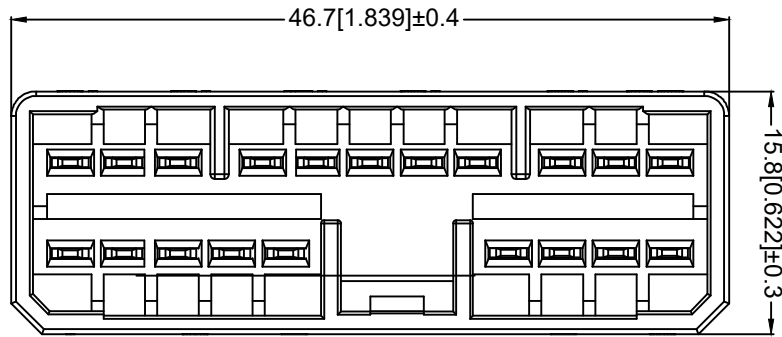
DSND	SCALE: N/A	MODEL TYPE: 3.5mm Automobile connector
DWN	VIEW:	PART NO.: K174960WV-XX-PTSN
CHKD	UNIT: mm/in	DWG NO.: X-K174960WV-XX-PTSN
APPD	SIZE: A4	

MARK	DESCRIPTION	DATE	REVISED	APPROVED	UNSPECIFIED TOLERANCES
ΔX					ANGLAR ±5°
ΔX					L ≤ 4 ±0.2
ΔX					4 < L ≤ 16 ±0.3
					16 < L ≤ 63 ±0.4
					L > 63 ±0.5

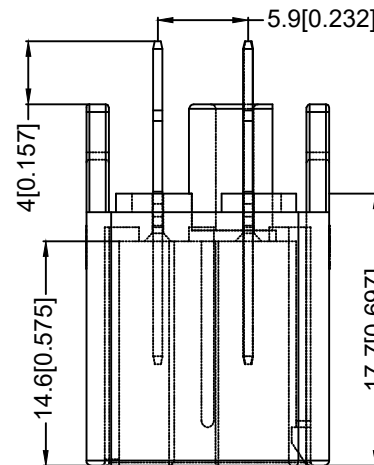
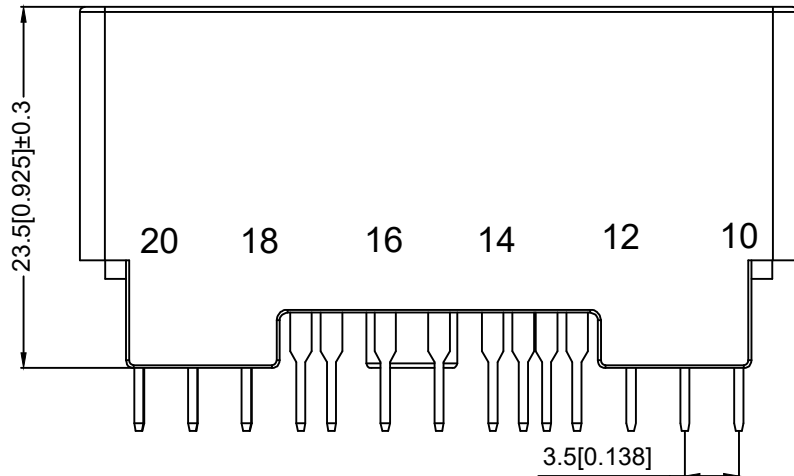


XKB INDUSTRIAL PRECISION CO., LIMITED

WEIGHT	SHEET	REVISION
	1/1	A0



Current rating: 3A AC/DC
 额定电流: 3A AC/DC
 Temperature range: -40°C - +125°C
 温度范围: -40°C - +125°C



K 174960 W V - XX - PT SN
 ① ② ③ ④ ⑤ ⑥ ⑦

- 1.K: XKBTEK-Car Connector
- 2.XKB Series No
- 3.Category: W-Wafer
- 4.Welding Board Range: V-Stright 180°
- 5.Row No.Pin No: XX-20 Pin
- 6.Material: PT-PBT
- 7.Palting: SN-Plated Tin

K174960WV-XX-PTSN	PBT	Phosphor Bronze	K174960H
PART NO	Material	Material(Pin)	Suitable XKB Housing

DSND	SCALE: N/A	MODEL TYPE: 3.5mm Automobile connector
DWN	VIEW:	PART NO.: K174960WV-XX-PTSN
CHKD	UNIT: mm/in	DWG NO.: X-K174960WV-XX-PTSN
APPD	SIZE: A4	

MARK	DESCRIPTION	DATE	REVISED	APPROVED	UNSPECIFIED TOLERANCES
ΔX					ANGLAR ±5°
ΔX					L ≤ 4 ±0.2
ΔX					4 < L ≤ 16 ±0.3
					16 < L ≤ 63 ±0.4
					L > 63 ±0.5
REVISIONS					
www.helloxkb.com www.helloxkb.cn www.xk-dg.cn					



XKB INDUSTRIAL PRECISION CO., LIMITED

WEIGHT	SHEET	REVISION
	1/1	A0