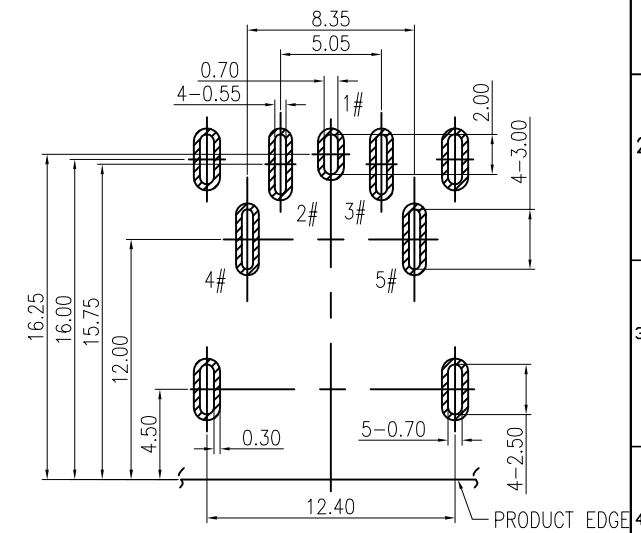
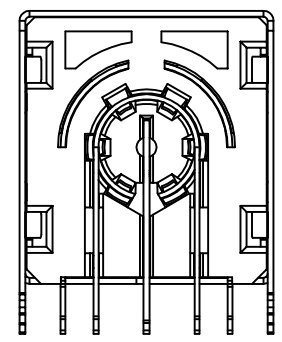
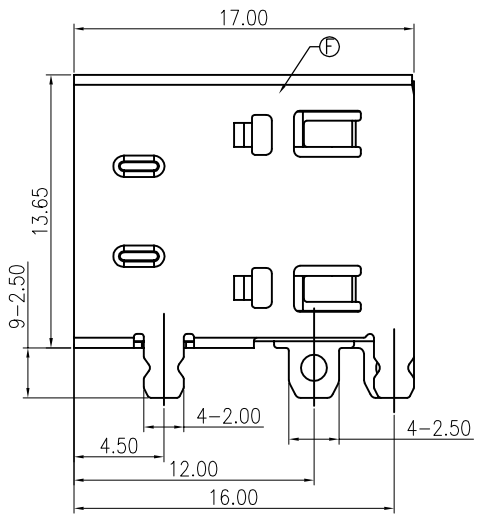
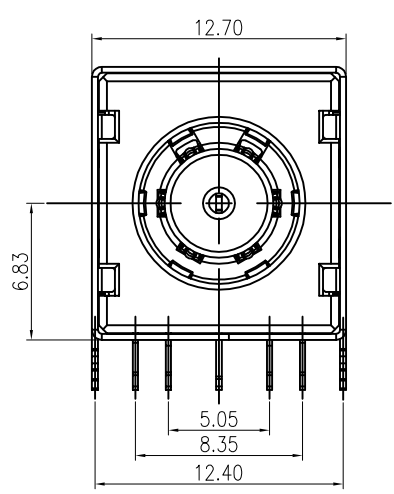
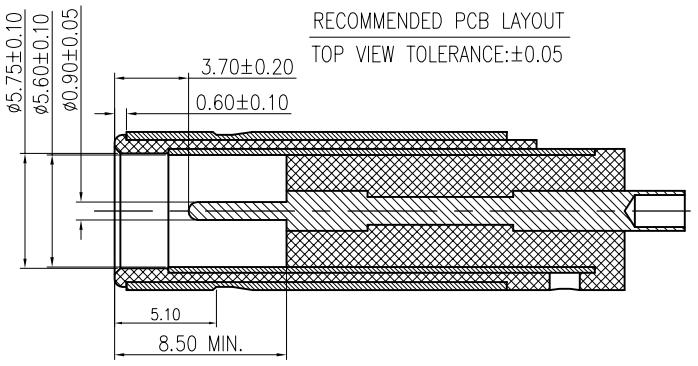
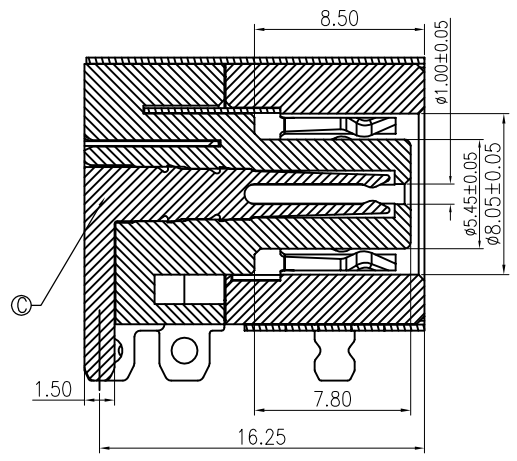
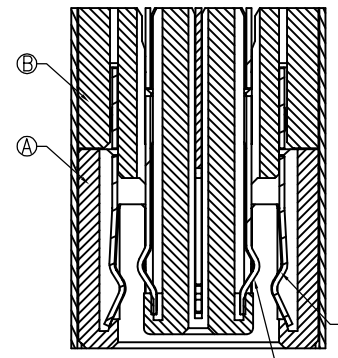
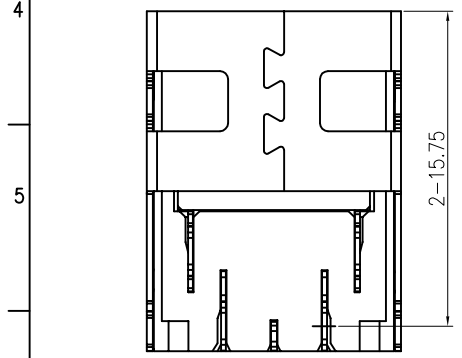


修 订 REV NO	标 记 MARK	修 改 描 述 REVISION DESCRIPTION	签 名 SIGNATURE	日 期 DATE
		NEW DWG		2016-03-12

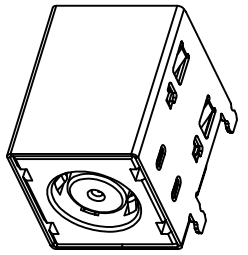


RECOMMENDED PCB LAYOUT  
TOP VIEW TOLERANCE: ±0.05



SPECIFICATION:

- RATING: DC 30V 25A
- CONTACT RESISTANCE:  
CENTER PIN: 30mΩ MAX(INITIAL),  
40mΩ MAX(FINAL),  
DC\_IN+/DC\_IN-: 15mΩ MAX(INITIAL),  
25mΩ MAX(FINAL).
- INSULATION RESISTANCE: 100 MΩ MIN.
- WITHSTAND VOLTAGE: 500 VAC
- INSERTION FORCE: 25N MAX.
- EXTRACTION FORCE: 6N MIN.
- DURABILITY: 5,000 CYCLES



MATING PLUG  
DP790090-0145-6H

SCHEMATIC	F	SHELL	SUS 304	Ni 50u"MIN.	1
√ ○ 2#/3#(+)	E	ANODE	C7025	Ni 40u"	1A4 1
> ○ 1#(SIGNAL)	D	NEGATIVE	C7025	Ni 40u"	1A4 1
~ ○ 4#/5#(-)	C	CENTER PIN	C5210	Au1u"(CONTACT AREA)/Sn80u"/Ni 40u"	1A3 1
	B	COVER	PA10T	BLACK	1
	A	HOUSING	PA10T	BLACK	1
	NO.	DESCRIPTION	MATERIAL	REMARKS	QTY

深圳市华德共创科技有限公司  
Shenzhen Huade co-create Technology Co.,LTD  
电话: 0755-23304126 传真: 0755-29940187

TITLE: DC Power Jack 7909 大电流25A, 卧  
产品名称: 式, 高可靠, CL=6.83

PART NO: DC790090-0289-2H

DATE	SCALE	UNIT	CODE NUMBER
2016-03-12	1:1	mm	A001

-TOLERANCES-  
UNLESS OTHERWISE SPECIFIED  
公差参数表

X.X	±0.30	X.X*	±3°
X.XX	±0.20	X.XX*	±2°
X.XXX	±0.10	X.XXX*	±1°

APPD: 核准: 王建业

CHECK: 校对: 黄艳兰

DRAW: 绘图: 黄艳兰