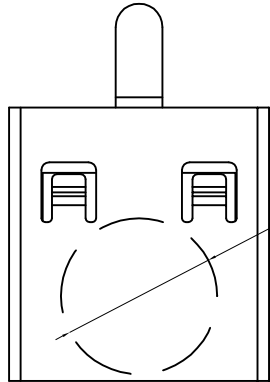
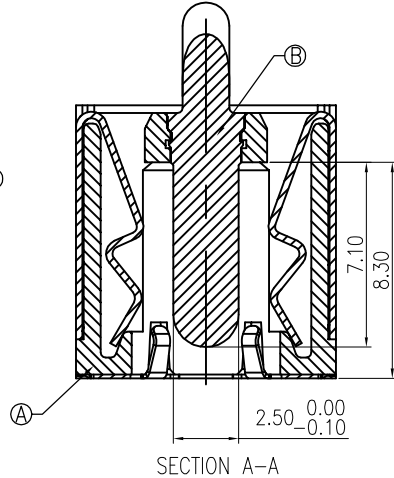
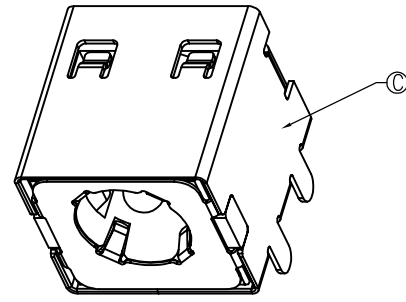


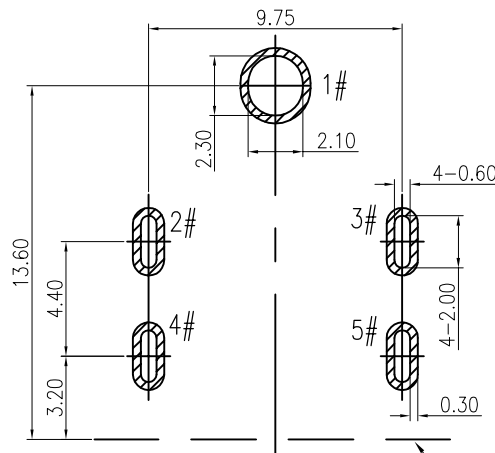
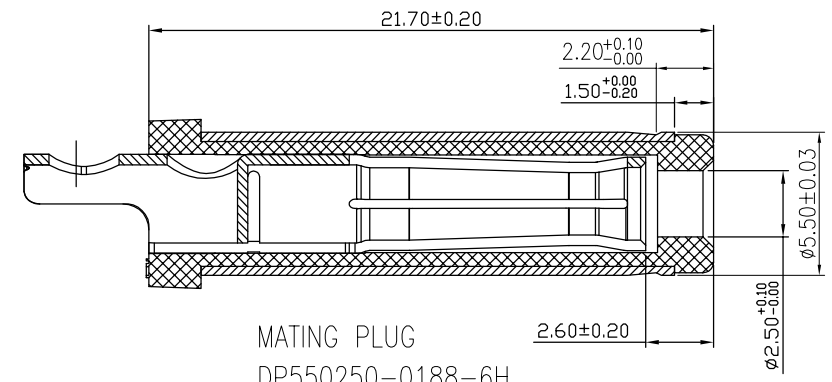
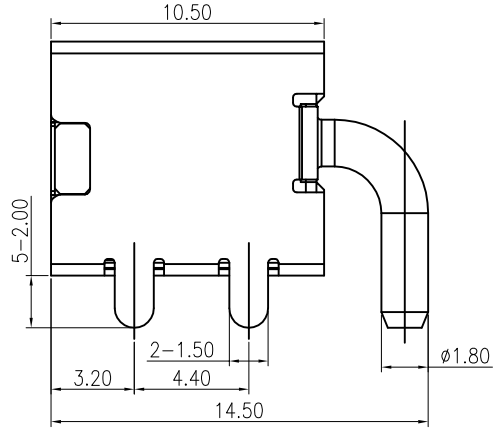
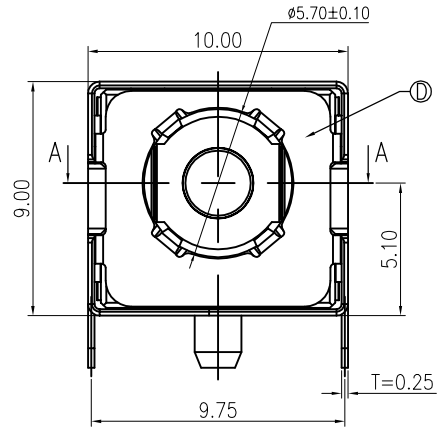
修 订	标 记	修 改 描 要	签 名	日 期
REV	MARK	REVISION DESCRIPTION	SIGNATURE	DATE
AO		NEW DWG		2016-03-12



Ø6.00
PICK UP

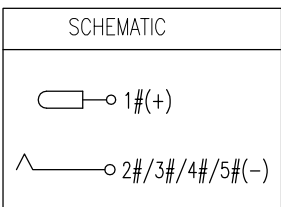


- SPECIFICATION:
1. RATING: DC 30V 20A
 2. CONTACT RESISTANCE:
30mΩ MAX(INITIAL).
50mΩ MAX(FINAL).
 3. INSULATION RESISTANCE: 100 MΩ MIN.
 4. WITHSTAND VOLTAGE: 500 VAC
 5. INSERTION FORCE: 30N MAX.
 6. EXTRACTION FORCE: 3N MIN.
 7. DURABILITY: 5,000 CYCLES




RECOMMENDED PCB LAYOUT
TOP VIEW TOLERANCE:±0.05

PRODUCT EDGE



NO.	DESCRIPTION	MATERIAL	REMARKS	QTY
D	GROUND	SUS 304		1
C	SHELL	C5210	Ni 40u" MIN.	1
B	CENTER PIN	BRASS	GOLD FLASH /Ni 40u" MIN.	1
A	HOUSING	PA10T	BLACK	1



深圳市华德共创科技有限公司
Shenzhen Huade co-create Technology Co., LTD
电话: 0755-23304126 传真: 0755-29940187

-TOLERANCES- UNLESS OTHERWISE SPECIFIED 公差参数表		TITLE: DC Power Jack 5525 大电流20A, 卧 产品名称: 式, 高可靠, 四脚插板CL=5.1	
X.X ±0.30	X.X* ±3°	APPD: 核准:	PART NO: 产品编号: DC550250-1194-2H
X.XX ±0.20	X.XX* ±2°	CHECK: 校对: 王建业	DATE SCALE UNIT CODE NUMBER
X.XXX ±0.10	X.XXX* ±1°	DRAW: 绘图: 黄艳兰	2016-03-12 1:1 mm A001