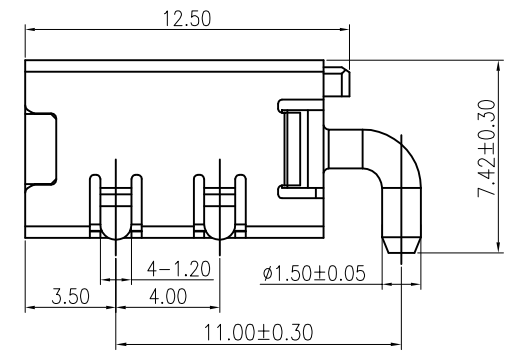
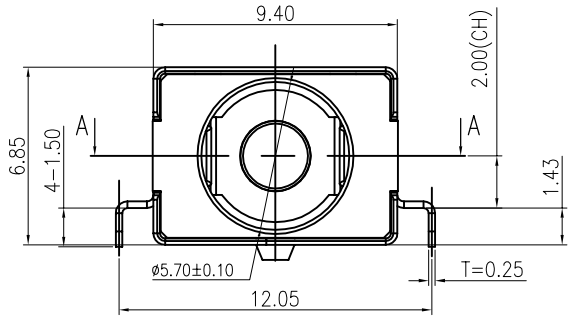
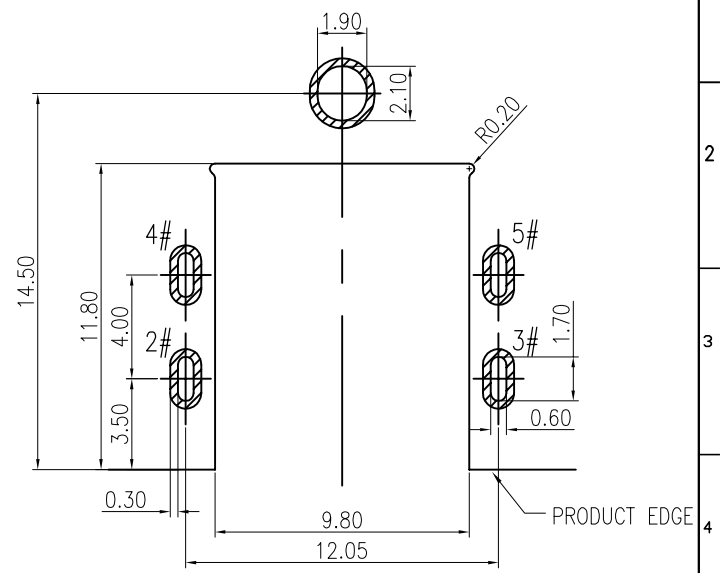
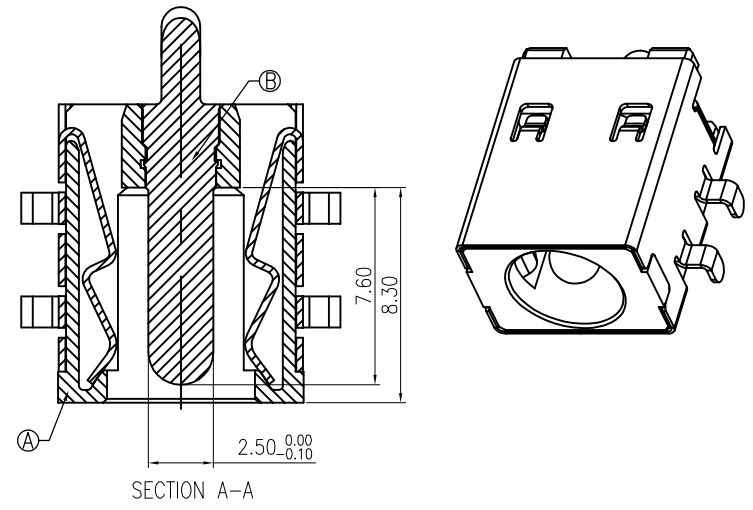
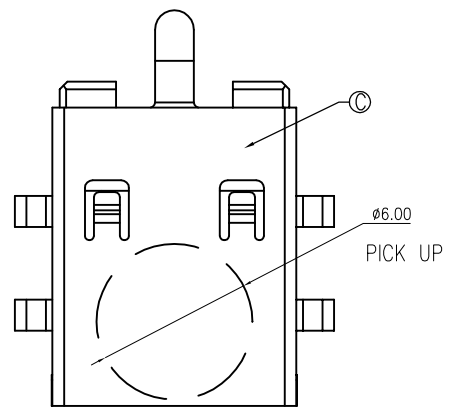
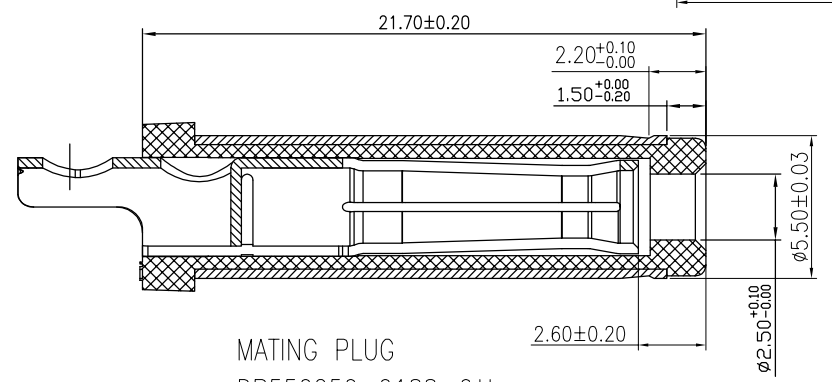
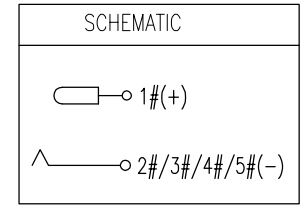



修订	标记	修改摘要	签名	日期
REV	NO	NEW DWG	SIGNATURE	DATE
				2016-03-12



- SPECIFICATION:
1. RATING: DC 30V 15A
 2. CONTACT RESISTANCE: 30m Ω MAX(INITIAL), 50m Ω MAX(FINAL).
 3. INSULATION RESISTANCE: 100 M Ω MIN.
 4. WITHSTAND VOLTAGE: 500 VAC
 5. INSERTION FORCE: 30N MAX.
 6. EXTRACTION FORCE: 3N MIN.
 7. DURABILITY: 5,000 CYCLES



NO.	DESCRIPTION	MATERIAL	REMARKS	QTY
C	SHELL	C5210	Ni 40u" MIN.	1
B	CENTER PIN	BRASS	GOLD FLASH /Ni 40u" MIN.	1
A	HOUSING	PA10T	BLACK	1



深圳市华德共创科技有限公司
Shenzhen Huade co-create Technology Co.,LTD
电话: 0755-23304126 传真: 0755-29940187

-TOLERANCES- UNLESS OTHERWISE SPECIFIED 公差参数表		TITLE: DC Power Jack 5521 大电流15A, 卧 产品名称: 式, 高可靠, 沉板CL=2.0	
X.X	±0.30	X.X*	±3°
X.XX	±0.20	X.XX*	±2°
X.XXX	±0.10	X.XXX*	±1°

APPD: 核准:	王建国	PART NO: 产品编号:	DC550250-1150-2H
CHECK: 校对:	黄艳兰	DATE	SCALE
DRAW: 绘图:	黄艳兰	2016-03-12	1:1
		UNIT	mm
		CODE NUMBER	A001