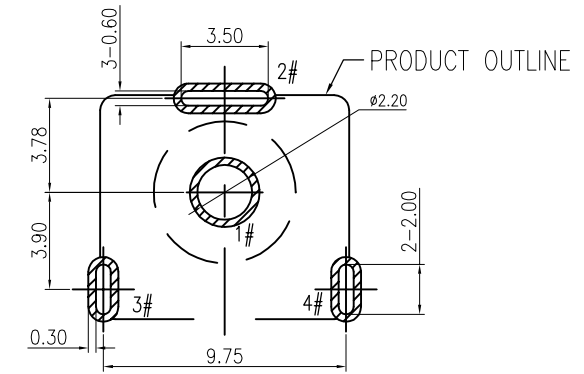
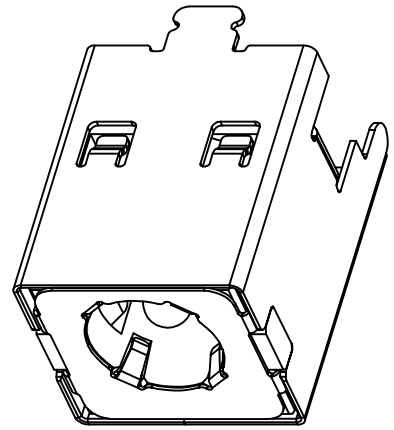
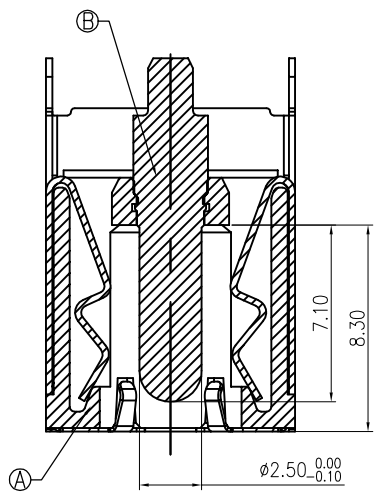
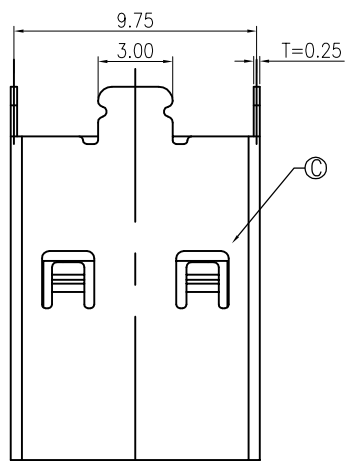
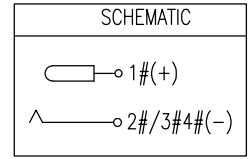
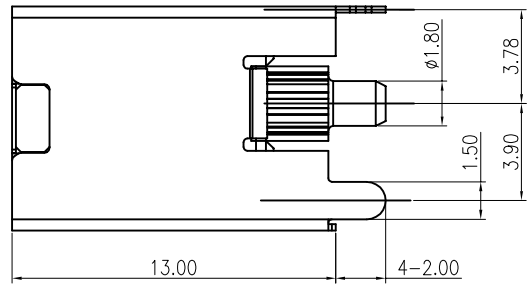
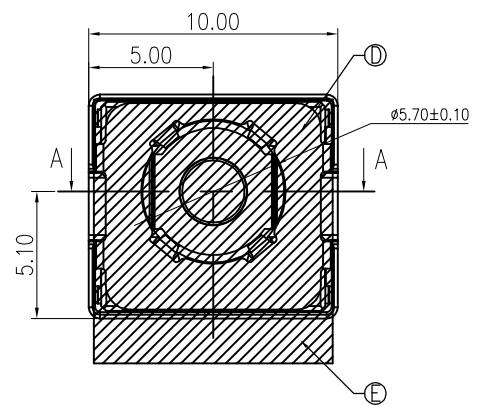


修 订	标 记	修 改 描 要	签 名	日 期
REV	MARK	REVISION DESCRIPTION	SIGNATURE	DATE
AO		NEW DWG		2016-03-12

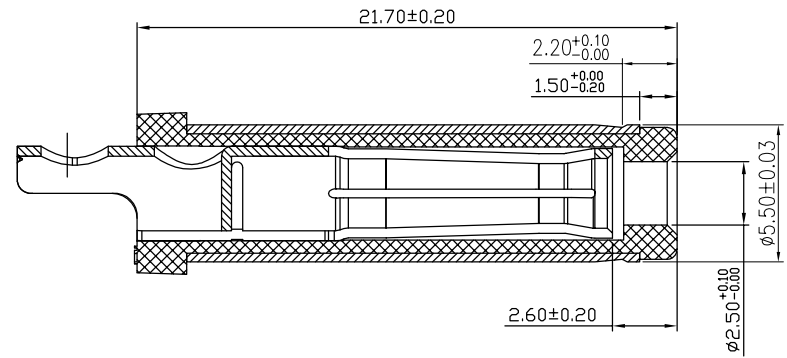


RECOMMENDED PCB LAYOUT
TOP VIEW TOLERANCE: ±0.05



SPECIFICATION:

- RATING: DC 20V 20A
- CONTACT RESISTANCE:
30mΩ MAX.(INITIAL)
50mΩ MAX.(FINAL)
- INSULATION RESISTANCE: 100 MΩ MIN.
- WITHSTAND VOLTAGE: 500 VAC
- INSERTION FORCE: 3N~30N
- EXTRACTION FORCE: 3N~30N
- DURABILITY: 5,000 CYCLES



MATING PLUG
DP550250-0188-6H

NO.	DESCRIPTION	MATERIAL	REMARKS	QTY
E	MYLAR			1
D	GROUND	SUS 304		1
C	SHELL	COPPER ALLOY	Ni 40u"MIN.	1
B	CENTER PIN	BRASS	GOLD FLASH/Ni 40u" MIN.	1
A	HOUSING	HIGH TEMP.THERMOPLASTIC	BLACK	1



深圳市华德共创科技有限公司
Shenzhen Huade co-create Technology Co.,LTD
电话: 0755-23304126 传真: 0755-29940187

X.X ±0.30		X.X* ±3°		APPD: 核准:	TITLE: DC Power Jack 5525 大电流20A, 直 产品名称: 立式, 高可靠, H=13.0			
X.XX ±0.20		X.XX* ±2°		CHECK: 校对: 王建业	PART NO: 产品编号: DC550250-1076-2H			
X.XXX ±0.10		X.XXX* ±1°		DRAW: 绘图: 黄艳兰	DATE	SCALE	UNIT	CODE NUMBER
					2016-03-12	1:1	mm	A001