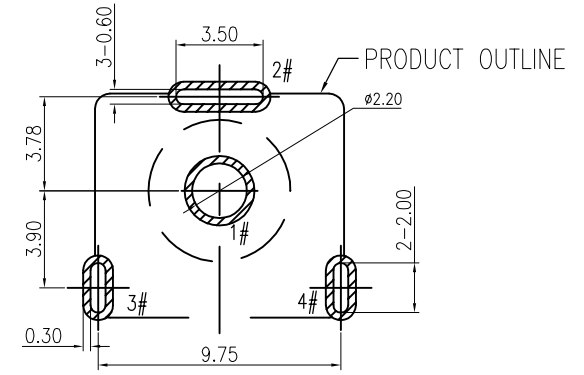
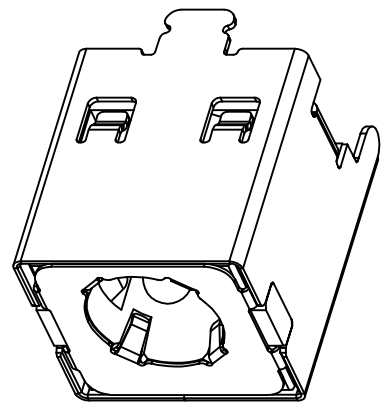
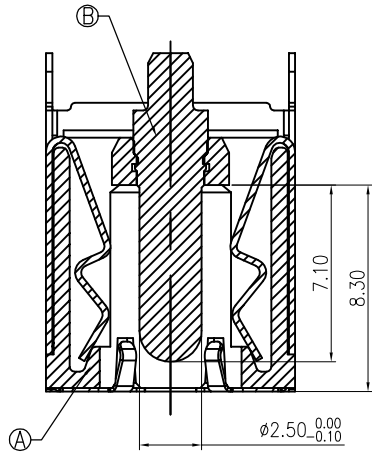
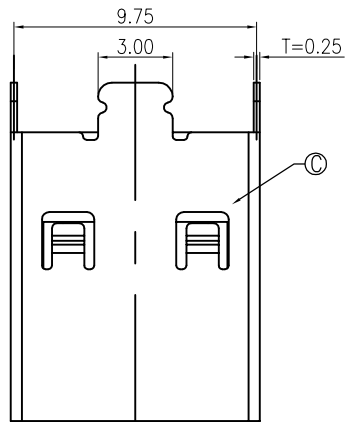
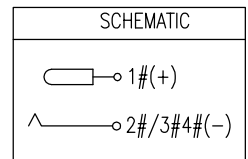
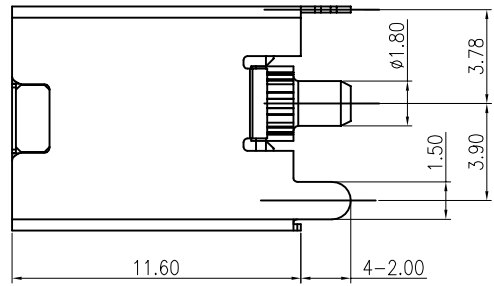
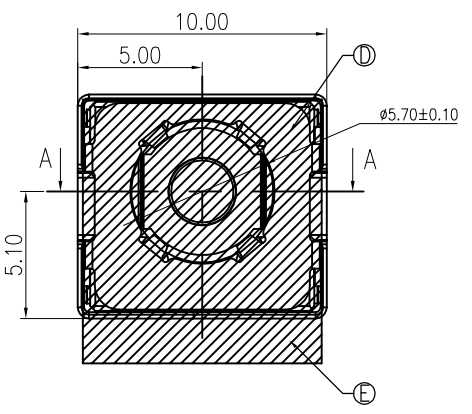


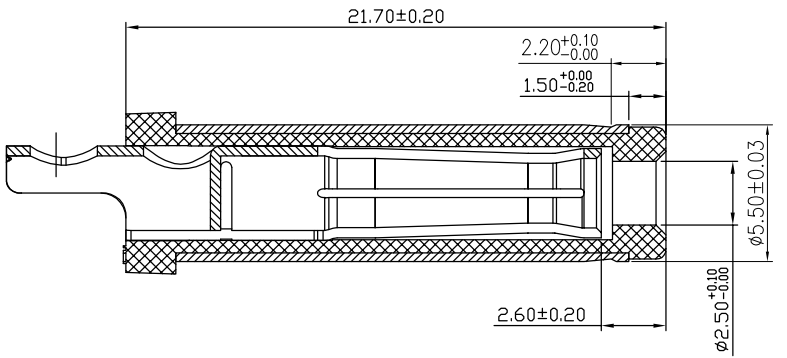
修 订 REV NO	标 记 MARK	修 改 描 要 REVISION DESCRIPTION	签 名 SIGNATURE	日 期 DATE
		NEW DWG		2016-03-12



RECOMMENDED PCB LAYOUT
TOP VIEW TOLERANCE: ±0.05



- SPECIFICATION:
- RATING: DC 20V 20A
 - CONTACT RESISTANCE: 30mΩ MAX.(INITIAL)
50mΩ MAX.(FINAL)
 - INSULATION RESISTANCE: 100 MΩ MIN.
 - WITHSTAND VOLTAGE: 500 VAC
 - INSERTION FORCE: 3N~30N
 - EXTRACTION FORCE: 3N~30N
 - DURABILITY: 5,000 CYCLES



MATING PLUG
DP550250-0188-6H

E	MYLAR			1
D	GROUND	SUS 304		1
C	SHELL	COPPER ALLOY	Ni 40u"MIN.	1
B	CENTER PIN	BRASS	GOLD FLASH/Ni 40u" MIN.	1
A	HOUSING	HIGH TEMP.THERMOPLASTIC	BLACK	1
NO.	DESCRIPTION	MATERIAL	REMARKS	QTY



深圳市华德共创科技有限公司
Shenzhen Huade co-create Technology Co.,LTD
电话: 0755-23304126 传真: 0755-29940187

-TOLERANCES- UNLESS OTHERWISE SPECIFIED 公差参数表				TITLE: DC Power Jack 5525 大电流20A, 直 产品名称: 立式, 高可靠, H=11.6				
X.X	±0.30	X.X*	±3°	APPD: 核准:	PART NO: 产品编号: DC550250-1074-2H			
X.XX	±0.20	X.XX*	±2°	CHECK: 校对: 王建业	DATE	SCALE	UNIT	CODE NUMBER
X.XXX	±0.10	X.XXX*	±1°	DRAW: 绘图: 黄艳兰	2016-03-12	1:1	mm	A001