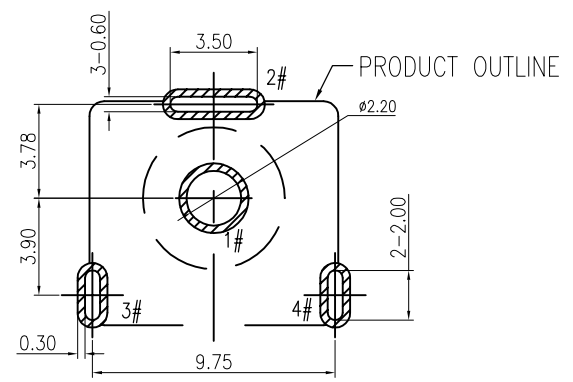
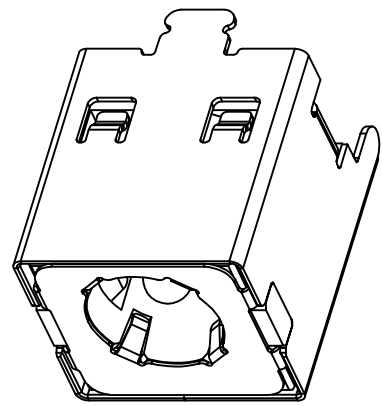
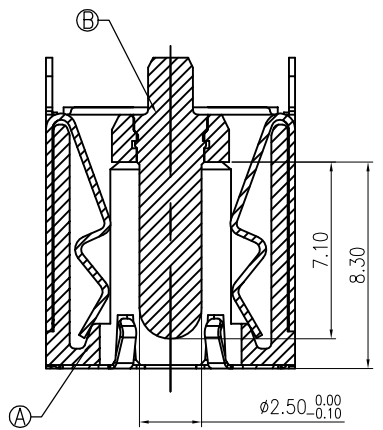
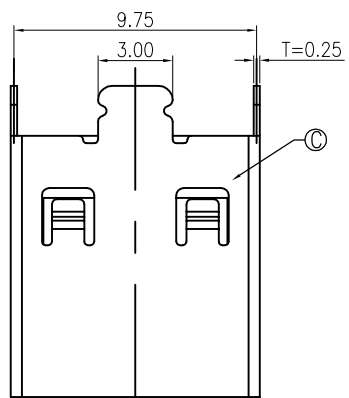
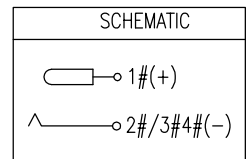
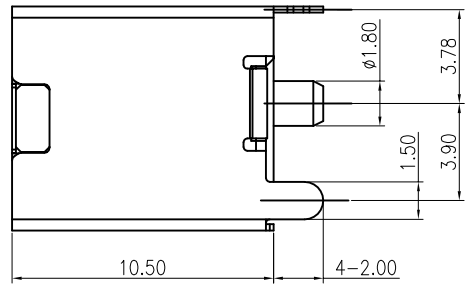
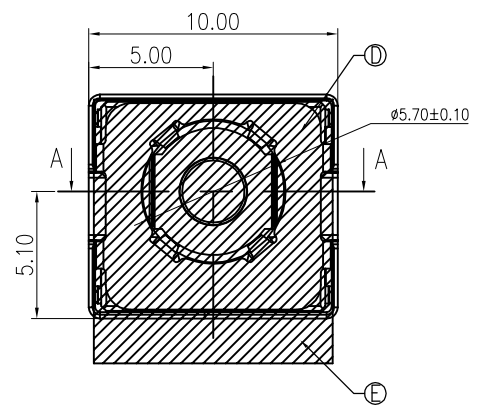


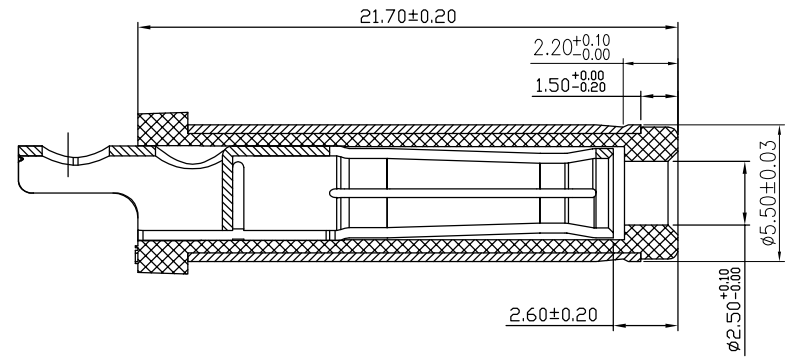
修 订 REV NO	标 记 MARK	修 改 描 要 REVISION DESCRIPTION	签 名 SIGNATURE	日 期 DATE
		NEW DWG		2016-03-12



RECOMMENDED PCB LAYOUT  
TOP VIEW TOLERANCE: ±0.05



- SPECIFICATION:
- RATING: DC 20V 20A
  - CONTACT RESISTANCE: 30mΩ MAX.(INITIAL) 50mΩ MAX.(FINAL)
  - INSULATION RESISTANCE: 100 MΩ MIN.
  - WITHSTAND VOLTAGE: 500 VAC
  - INSERTION FORCE: 3N~30N
  - EXTRACTION FORCE: 3N~30N
  - DURABILITY: 5,000 CYCLES



MATING PLUG  
DP550250-0188-6H

no.	DESCRIPTION	MATERIAL	REMARKS	QTY
E	MYLAR			1
D	GROUND	SUS 304		1
C	SHELL	COPPER ALLOY	Ni 40u"MIN.	1
B	CENTER PIN	BRASS	GOLD FLASH/Ni 40u" MIN.	1
A	HOUSING	HIGH TEMP.THERMOPLASTIC	BLACK	1

**HDGC** 深圳市华德共创科技有限公司  
Shenzhen Huade co-create Technology Co.,LTD  
电话: 0755-23304126 传真: 0755-29940187

X.X ±0.30		X.X* ±3°		APPD: 核准:	TITLE: DC Power Jack 5525 大电流20A, 直 产品名称: 立式, 高可靠, 立式H=10.5				
X.XX ±0.20		X.XX* ±2°		CHECK: 校对: 王建业	PART NO: 产品编号:	DATE	SCALE	UNIT	CODE NUMBER
X.XXX ±0.10		X.XXX* ±1°		DRAW: 绘图: 黄艳兰	2016-03-12	1:1	mm	A001	