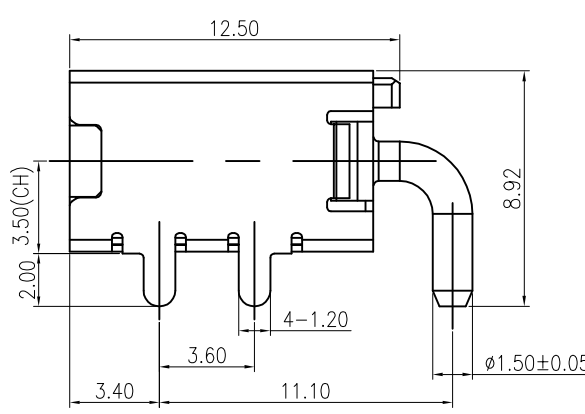
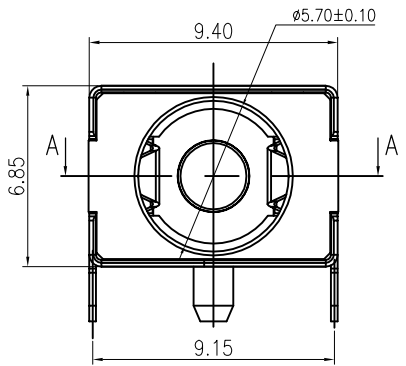
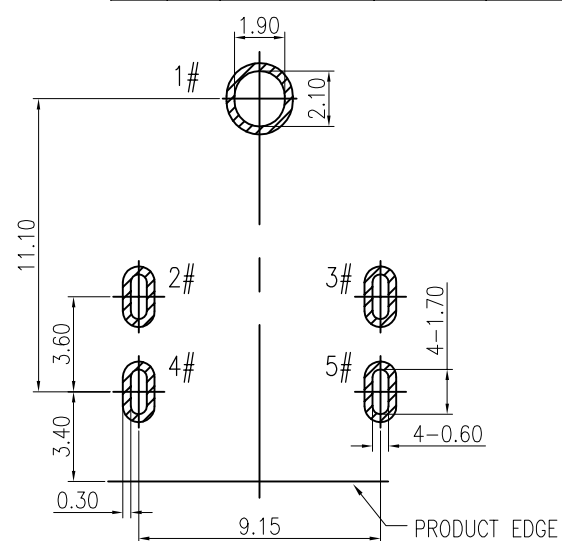
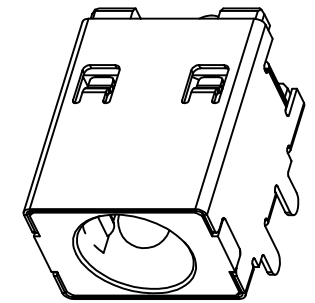
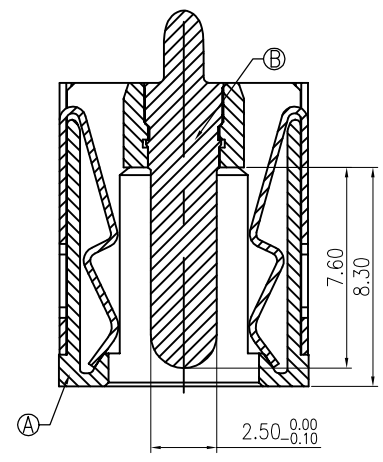
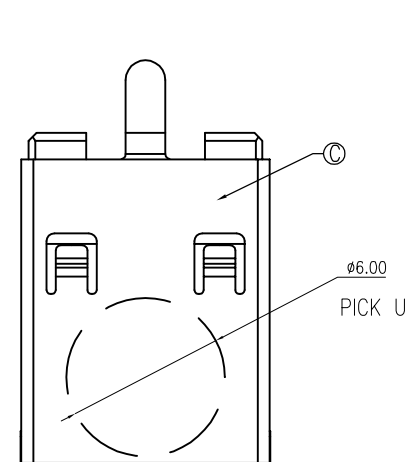
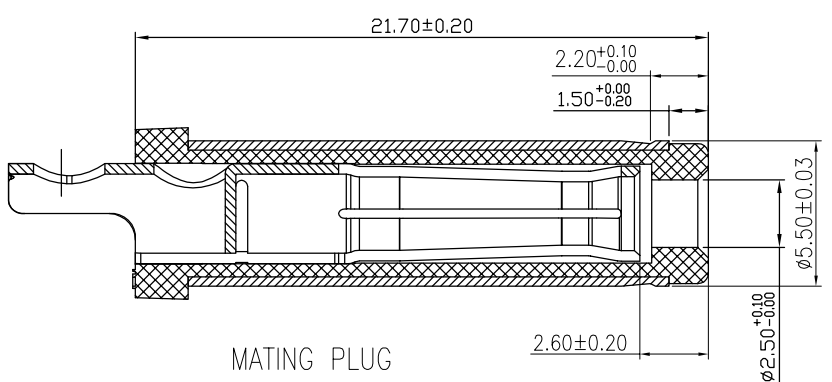
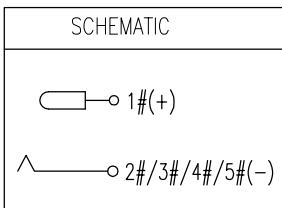


REV	MARK	修改摘要	签名	日期
REV NO		REVISION DESCRIPTION	SIGNATURE	DATE
		NEW DWG		2016-03-12



RECOMMENDED PCB LAYOUT  
TOP VIEW TOLERANCE: ±0.05

- SPECIFICATION:
- RATING: DC 30V 15A
  - CONTACT RESISTANCE:  
30mΩ MAX(INITIAL).  
50mΩ MAX(FINAL).
  - INSULATION RESISTANCE: 100 MΩ MIN.
  - WITHSTAND VOLTAGE: 500 VAC
  - INSERTION FORCE: 30N MAX.
  - EXTRACTION FORCE: 3N MIN.
  - DURABILITY: 5,000 CYCLES



MATING PLUG  
DP550250-0188-6H

NO.	DESCRIPTION	MATERIAL	REMARKS	QTY
C	SHELL	C5210	Ni 40u" MIN.	1
B	CENTER PIN	BRASS	GOLD FLASH /Ni 40u" MIN.	1
A	HOUSING	PA10T	BLACK	1

**深圳市华德共创科技有限公司**  
Shenzhen Huade co-create Technology Co.,LTD  
电话: 0755-23304126 传真: 0755-29940187

-TOLERANCES- UNLESS OTHERWISE SPECIFIED 公差参数表		TITLE: DC Power Jack 5521 大电流15A, 卧 产品名称: 式, 高可靠, 四脚插板CL=3.5	
X.X	±0.30	X.X*	±3°
X.XX	±0.20	X.XX*	±2°
X.XXX	±0.10	X.XXX*	±1°

APPD: 核准:	 王建业	PART NO: 产品编号: DC550250-1045-2H			
CHECK: 校对:		DATE	SCALE	UNIT	CODE NUMBER
DRAW: 绘图:		2016-03-12	1:1	mm	A001