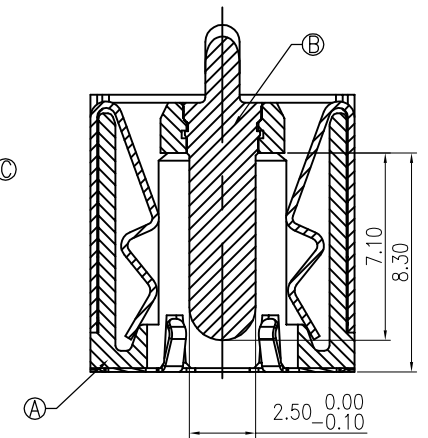
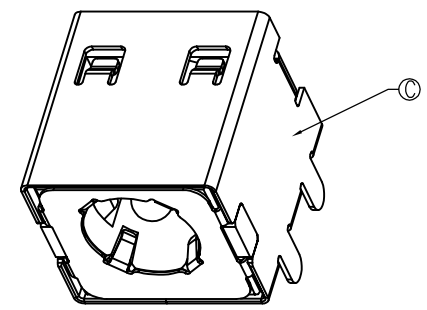
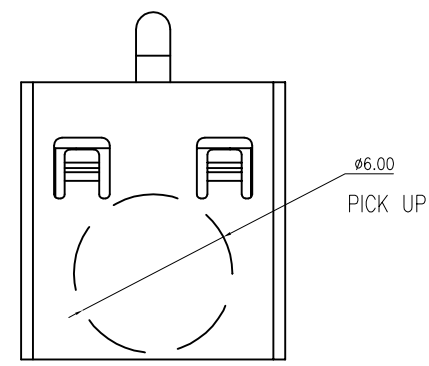
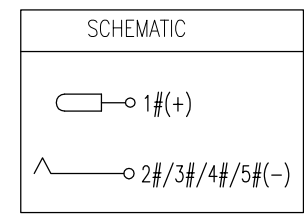
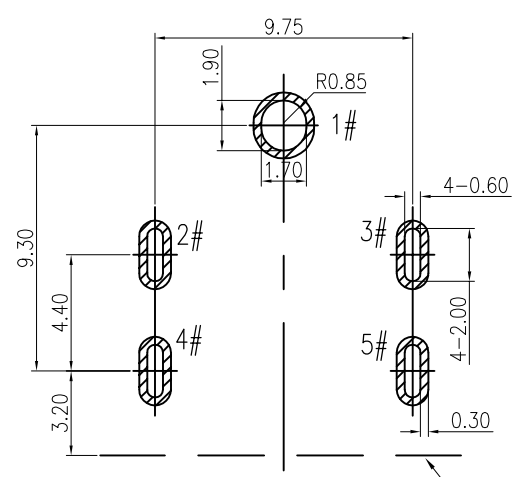
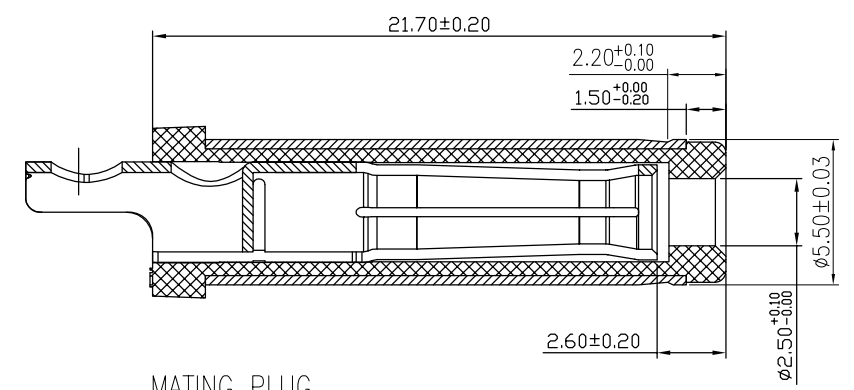
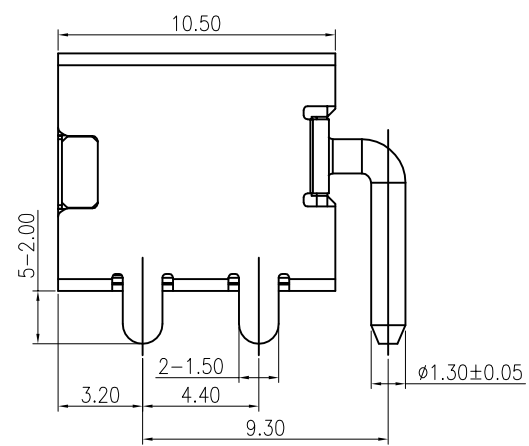
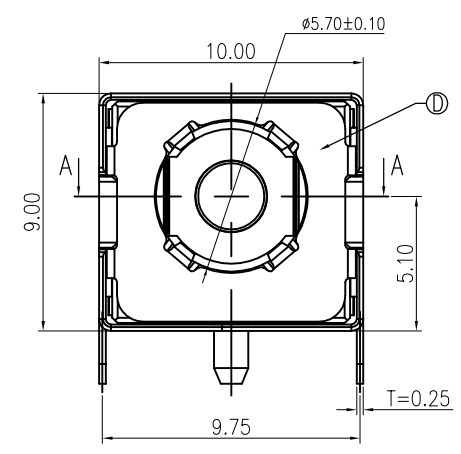



修 订	标 记	修 改 描 要	签 名	日 期
REV	MARK	REVISION DESCRIPTION	SIGNATURE	DATE
AO		NEW DWG		2016-03-12



- SPECIFICATION:
- RATING: DC 30V 12A
  - CONTACT RESISTANCE:  
30mΩ MAX(INITIAL).  
50mΩ MAX(FINAL).
  - INSULATION RESISTANCE: 100 MΩ MIN.
  - WITHSTAND VOLTAGE: 500 VAC
  - INSERTION FORCE: 30N MAX.
  - EXTRACTION FORCE: 3N MIN.
  - DURABILITY: 5,000 CYCLES



NO.	DESCRIPTION	MATERIAL	REMARKS	QTY
D	GROUND	SUS 304		1
C	SHELL	C5210	Ni 40u" MIN.	1
B	CENTER PIN	BRASS	GOLD FLASH /Ni 40u" MIN.	1
A	HOUSING	PA10T	BLACK	1



**深圳市华德共创科技有限公司**  
Shenzhen Huade co-create Technology Co.,LTD  
电话: 0755-23304126 传真: 0755-29940187

-TOLERANCES- UNLESS OTHERWISE SPECIFIED 公差参数表		TITLE: DC Power Jack 5525 大电流12A, 卧 产品名称: 式, 高可靠, 四脚插板CL=5.10	
X.X	±0.30	X.X*	±3°
X.XX	±0.20	X.XX*	±2°
X.XXX	±0.10	X.XXX*	±1°

APPD: 核准:	王建业	PART NO: 产品编号:	DC550250-0991-2H
CHECK: 校对:	黄艳兰	DATE	SCALE
DRAW: 绘图:	2016-03-12	UNIT	CODE NUMBER
	1:1	mm	A001

RECOMMENDED PCB LAYOUT  
TOP VIEW TOLERANCE: ±0.05