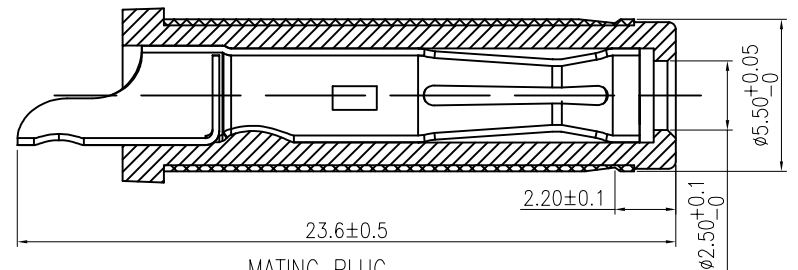
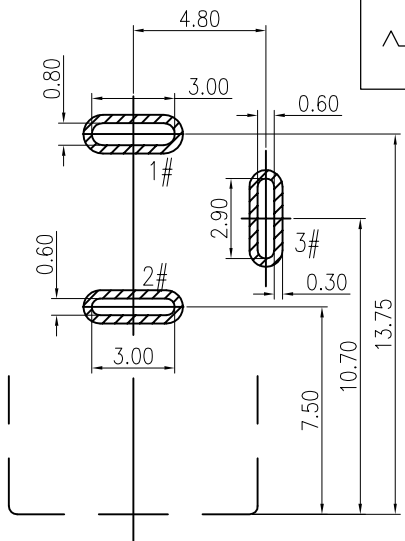
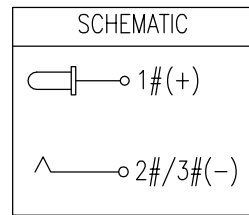
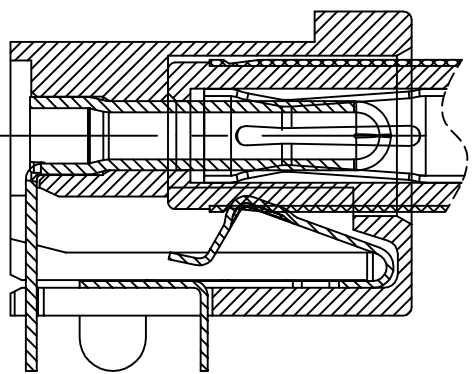
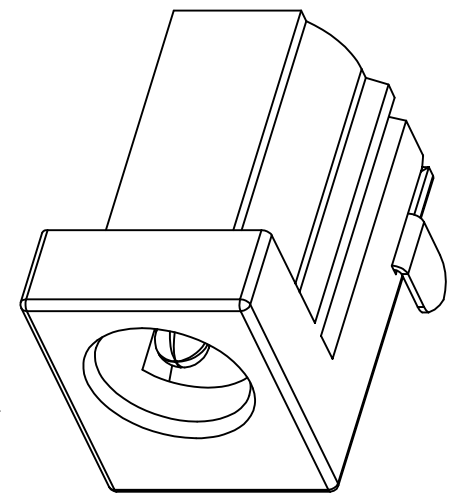
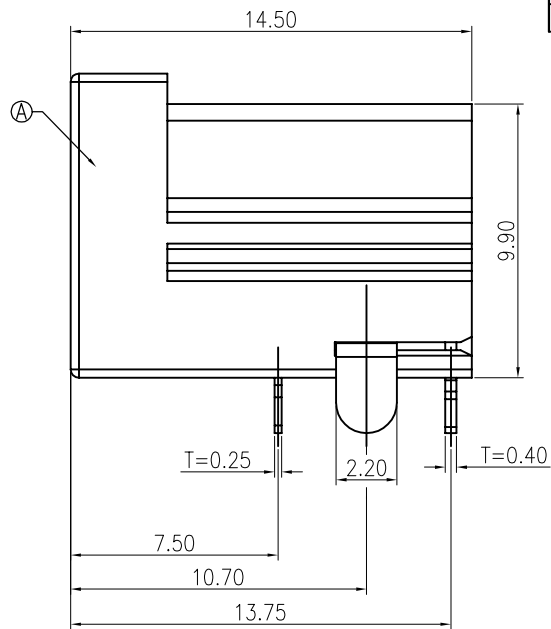
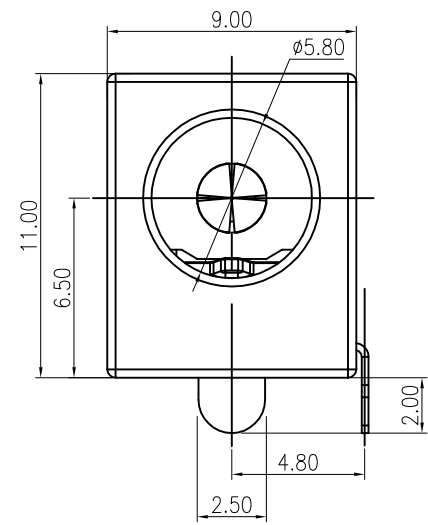
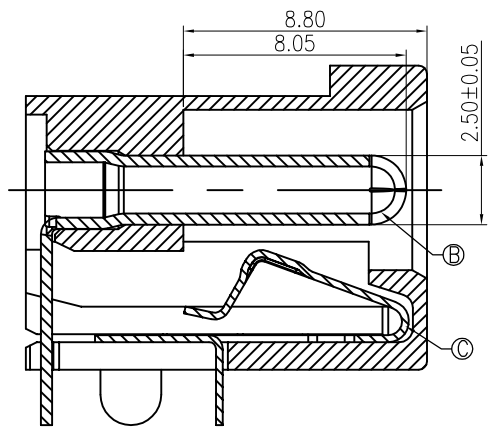


修订 REV NO	标记 MARK	修改摘要 REVISION DESCRIPTION	签名 SIGNATURE	日期 DATE
		NEW DWG		2016-03-12



MATING PLUG  
P/N.: DP550250-0063-6H

- SPECIFICATION:
1. RATING: DC 20V 7A
  2. CONTACT RESISTANCE: 30mΩ MAX.
  3. INSULATION RESISTANCE: 100 MΩ MIN.
  4. WITHSTAND VOLTAGE: 500 VAC
  5. INSERTION FORCE: 40N MAX.
  6. EXTRACTION FORCE: 3N MIN.
  7. DURABILITY: 5,000 CYCLES

RECOMMENDED PCB LAYOUT  
TOP VIEW TOLERANCE: ±0.05

NO.	DESCRIPTION	MATERIAL	REMARKS	QTY
C	SPRING	COPPER ALLOY	Sn80u" MIN./Ni 40u".	1
B	CENTER PIN	BRASS	Sn80u" MIN./Ni 40u".	1
A	HOUSING	PA10T	BLACK	1



深圳市华德共创科技有限公司  
Shenzhen Huade co-create Technology Co., LTD  
电话: 0755-23304126 传真: 0755-29940187

-TOLERANCES- UNLESS OTHERWISE SPECIFIED 公差参数表		TITLE: DC Power Jack 5525 大电流8A, 卧式, 产品名称: 高可靠, 全铜2.5短脚高温料	
X.X	±0.30	X.X*	±3°
X.XX	±0.20	X.XX*	±2°
X.XXX	±0.10	X.XXX*	±1°
APPD: 核准:		PART NO: DC550250-0366-2H	
CHECK: 王建业		DATE	SCALE UNIT CODE NUMBER
DRAW: 黄艳兰		2016-03-12	1:1 mm A001
绘图:			