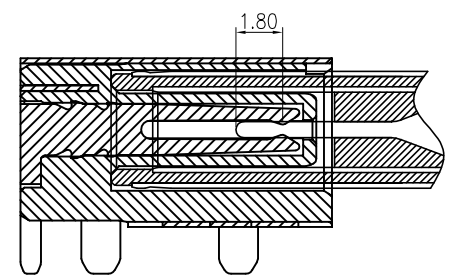
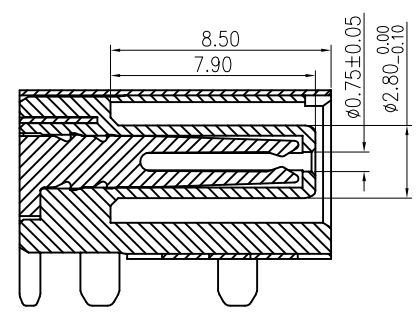
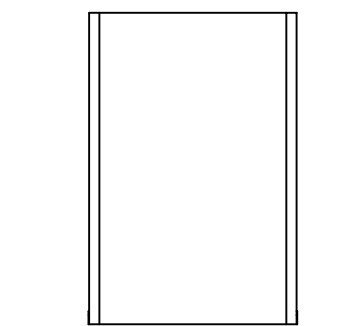
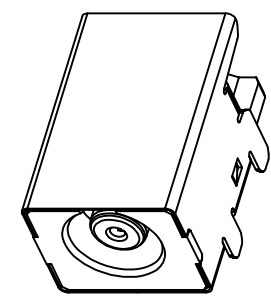
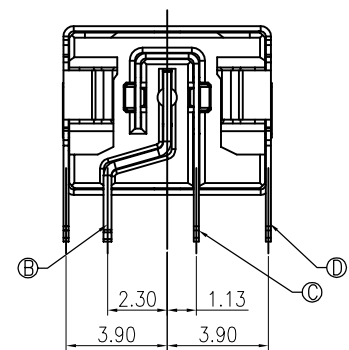
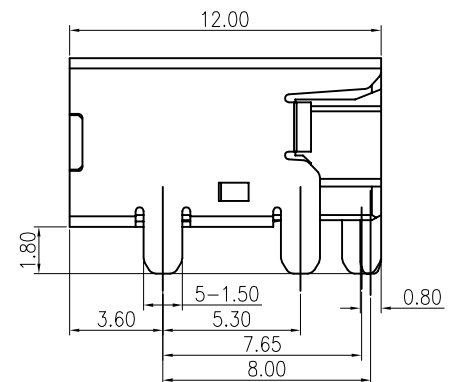
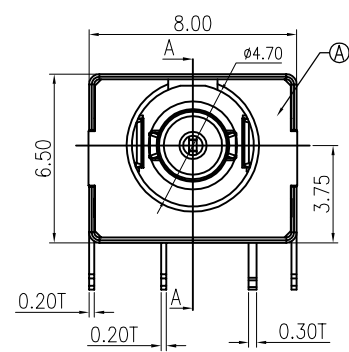


修订	标记	修改摘要	签名	日期
REV	MARK	REVISION DESCRIPTION	SIGNATURE	DATE
AO		NEW DWG		2016-03-12

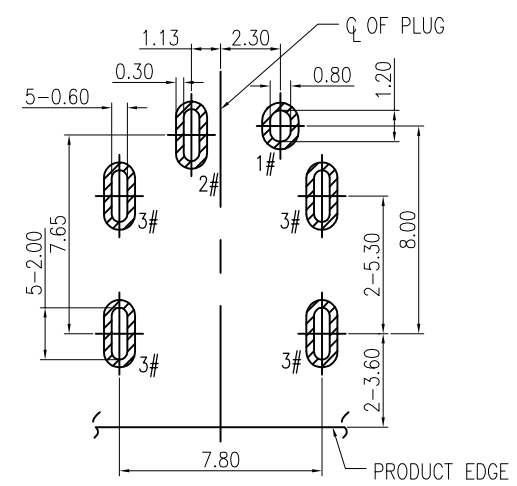
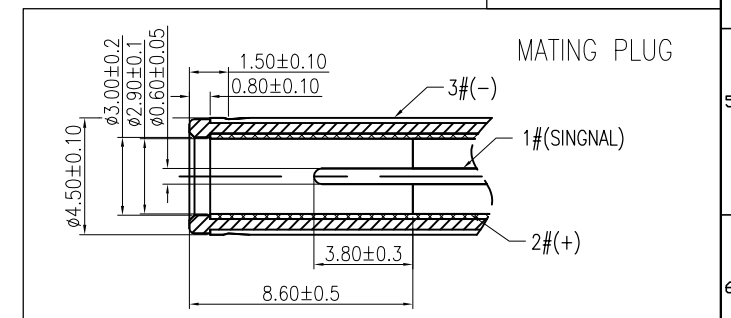


SECTION A-A



- SPECIFICATION:
1. RATING: DC 20V 6.5A
 2. CONTACT RESISTANCE: 30mΩ MAX.
 3. INSULATION RESISTANCE: 100 MΩ MIN.
 4. WITHSTAND VOLTAGE: 500 VAC
 5. INSERTION FORCE: 30N MAX.
 6. EXTRACTION FORCE: 6N MIN.
 7. DURABILITY: 5,000 CYCLES

SCHEMATIC	
	2#(+)
	1#(SIGNAL)
	3#(-)



RECOMMENDED PCB LAYOUT
TOP VIEW TOLERANCE: ±0.05

NO.	DESCRIPTION	MATERIAL	REMARKS	QTY
D	SHELL	C5210	Ni 50u"MIN.	1
C	SPRING	C5210	GOLD FLASH/MATTE TIN 80u"/Ni 40u"	1
B	CENTER PIN	C5210	GOLD FLASH/MATTE TIN 80u"/Ni 40u"	1
A	HOUSING	PA10T	BLACK	1



深圳市华德共创科技有限公司
Shenzhen Huade co-create Technology Co., LTD
电话: 0755-23304126 传真: 0755-29940187

-TOLERANCES- UNLESS OTHERWISE SPECIFIED 公差参数表		TITLE: DC Power Jack 4506 大电流8A, 卧式, 产品名称: 高可靠, 四脚插板CL=3.75	
X.X	±0.30	X.X*	±3°
X.XX	±0.20	X.XX*	±2°
X.XXX	±0.10	X.XXX*	±1°
APPD: 核准:	王建国	PART NO: 产品编号:	DC450060-0355-2H
CHECK: 校对:	黄艳兰	DATE	SCALE
DRAW: 绘图:	2016-03-12	UNIT	CODE NUMBER
	1:1	mm	A001