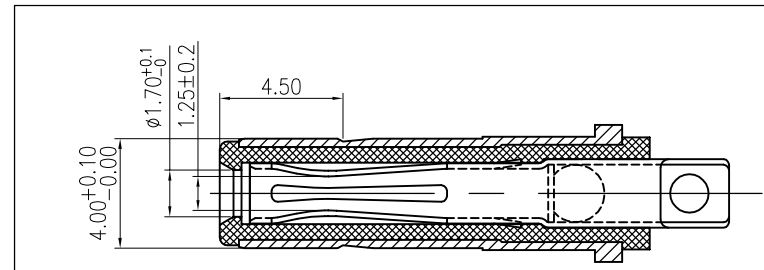
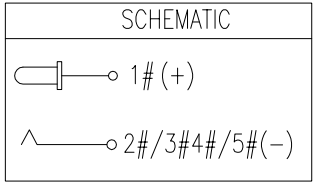
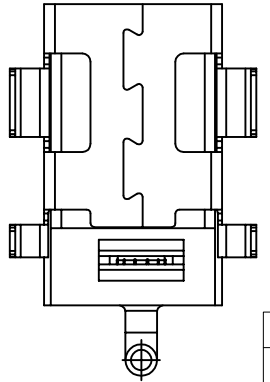
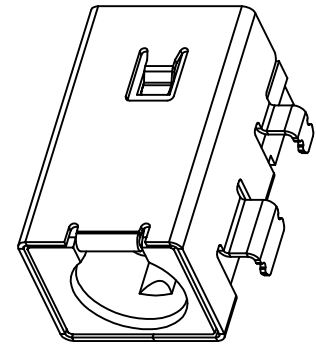
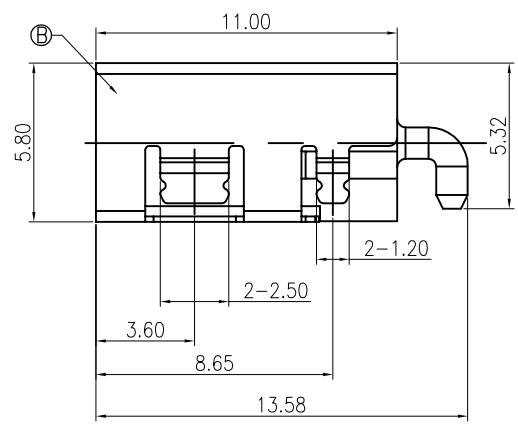
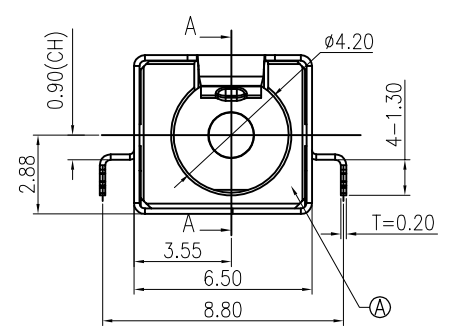
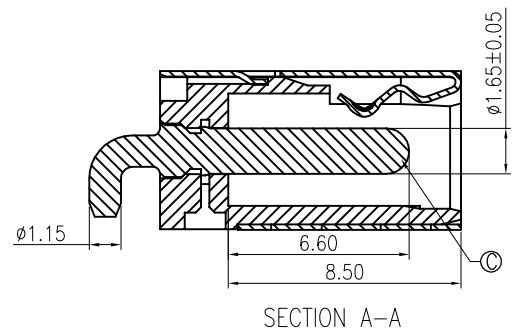
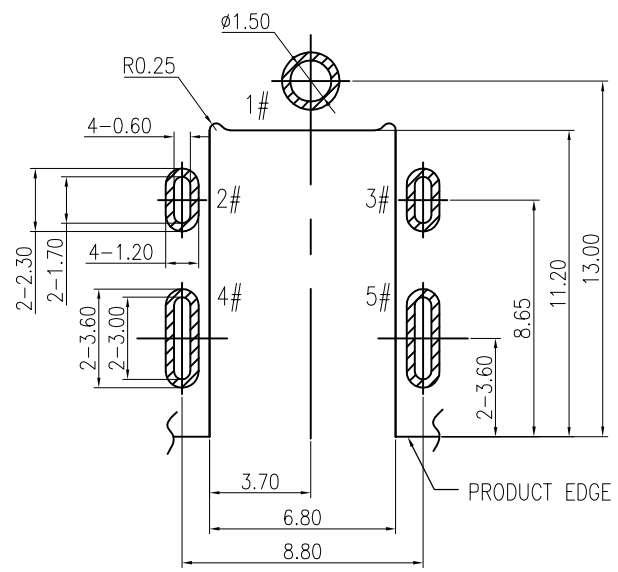


REV	MARK	修改摘要 REVISION DESCRIPTION	签名 SIGNATURE	日期 DATE
AO		NEW DWG		2016-03-12



MATING PLUG  
DP400170-0038-6H



- SPECIFICATION:
- RATING: DC 20V 7A
  - CONTACT RESISTANCE: 30mΩ MAX.
  - INSULATION RESISTANCE: 100 MΩ MIN.
  - WITHSTAND VOLTAGE: 500 VAC
  - INSERTION FORCE: 3N~30N
  - EXTRACTION FORCE: 3N~30N
  - DURABILITY: 5,000 CYCLES

NO.	DESCRIPTION	MATERIAL	REMARKS	QTY
C	CENTER PIN	BRASS	GOLD FLASH"/Ni 40u"	1
B	SHELL	COPPER ALLOY	Ni 40u"	1
A	HOUSING	HIGH TEMP.THERMOPLASTIC	BLACK	1



深圳市华德共创科技有限公司  
Shenzhen Huade co-create Technology Co., LTD  
电话: 0755-23304126 传真: 0755-29940187

-TOLERANCES- UNLESS OTHERWISE SPECIFIED 公差参数表		TITLE: DC Power Jack 4017 大电流8A, 卧式, 产品名称: 高可靠, 沉板CL-0.9	
X.X	±0.30	X.X*	±3°
X.XX	±0.20	X.XX*	±2°
X.XXX	±0.10	X.XXX*	±1°
APPD: 核准:		PART NO: DC400170-1093-2H	
CHECK: 王建业		DATE	SCALE UNIT CODE NUMBER
DRAW: 黄艳兰		2016-03-12	1:1 mm A001