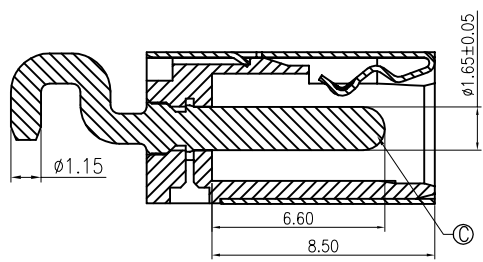
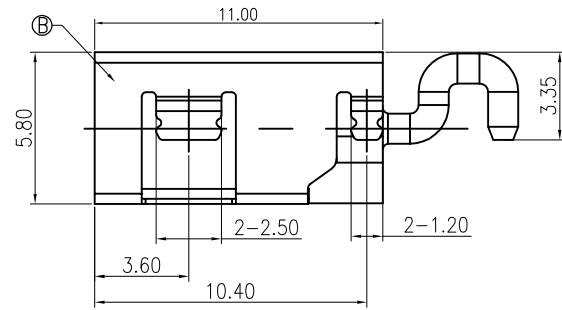
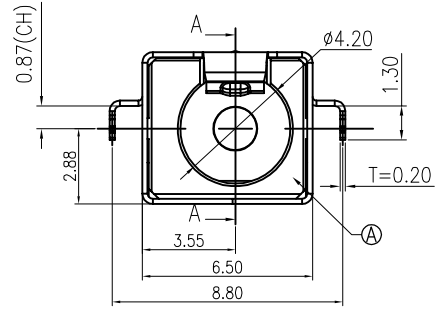


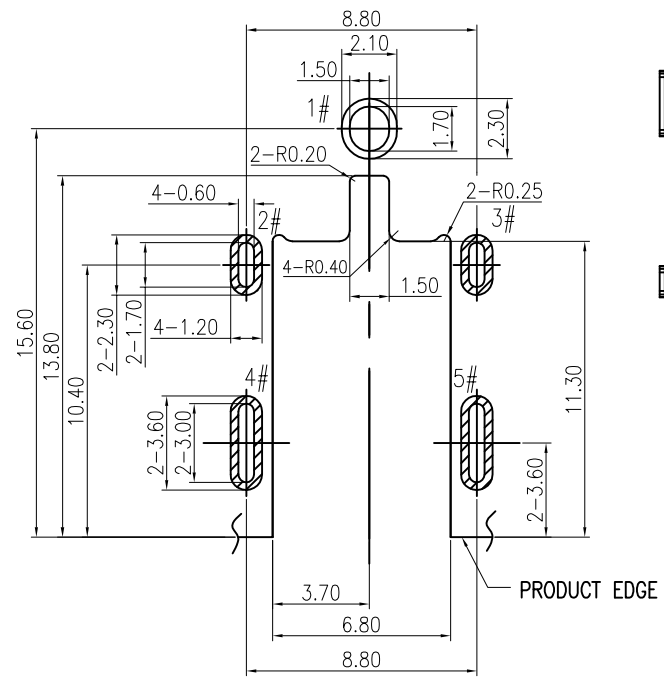
修 订 REV NO	标 记 MARK	修 改 描 要 REVISION DESCRIPTION	签 名 SIGNATURE	日 期 DATE
		NEW DWG		2016-03-12



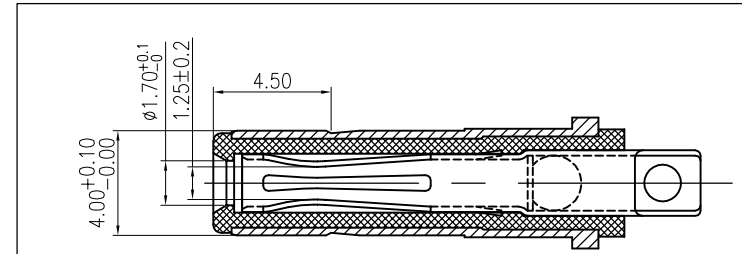
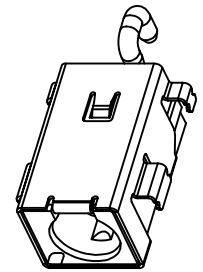
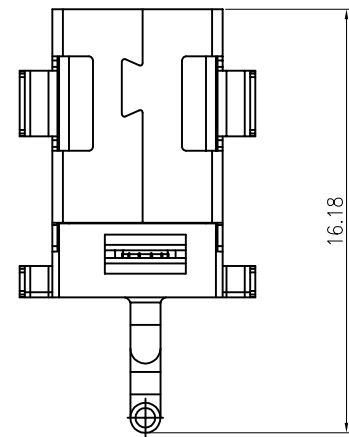
SECTION A-A



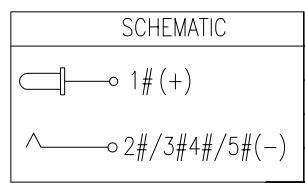
- SPECIFICATION:
1. RATING: DC 20V 7A
 2. CONTACT RESISTANCE: 30mΩ MAX.
 3. INSULATION RESISTANCE: 100 MΩ MIN.
 4. WITHSTAND VOLTAGE: 500 VAC
 5. INSERTION FORCE: 3N~30N
 6. EXTRACTION FORCE: 3N~30N
 7. DURABILITY: 5,000 CYCLES



RECOMMENDED PCB LAYOUT(t=1.00)
TOP VIEW TOLERANCE:±0.05



MATING PLUG
DP400170-0038-6H



NO.	DESCRIPTION	MATERIAL	REMARKS	QTY
C	CENTER PIN	BRASS	GOLD FLASH"/Ni 40u"	1
B	SHELL	COPPER ALLOY	Ni 40u"	1
A	HOUSING	HIGH TEMP.THERMOPLASTIC	BLACK	1

HDGC 深圳市华德共创科技有限公司
Shenzhen Huade co-create Technology Co.,LTD
电话: 0755-23304126 传真: 0755-29940187

-TOLERANCES- UNLESS OTHERWISE SPECIFIED 公差参数表		TITLE: DC Power Jack 4017 大电流8A, 卧式, 产品名称: 高可靠, 沉板CL=-0.87	
X.X	±0.30	X.X*	±3°
X.XX	±0.20	X.XX*	±2°
X.XXX	±0.10	X.XXX*	±1°
APPD: 核准:	王建国	PART NO: 产品编号:	DC400170-1092-2H
CHECK: 校对:	黄艳兰	DATE	SCALE
DRAW: 绘图:	2016-03-12	UNIT	CODE NUMBER
	1:1	mm	A001