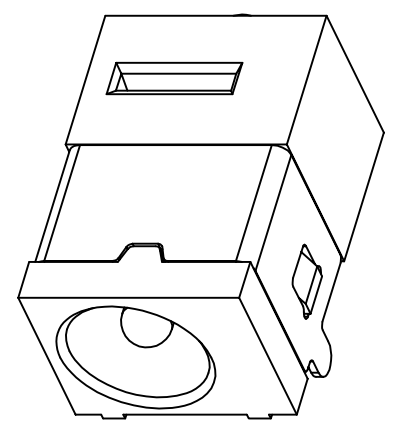
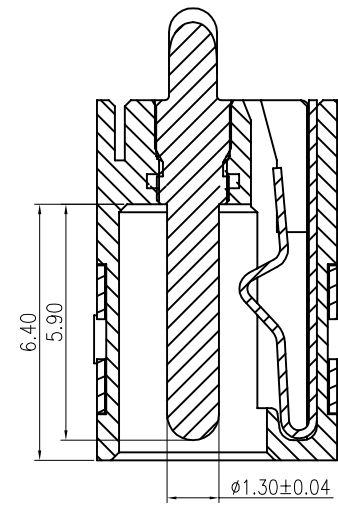
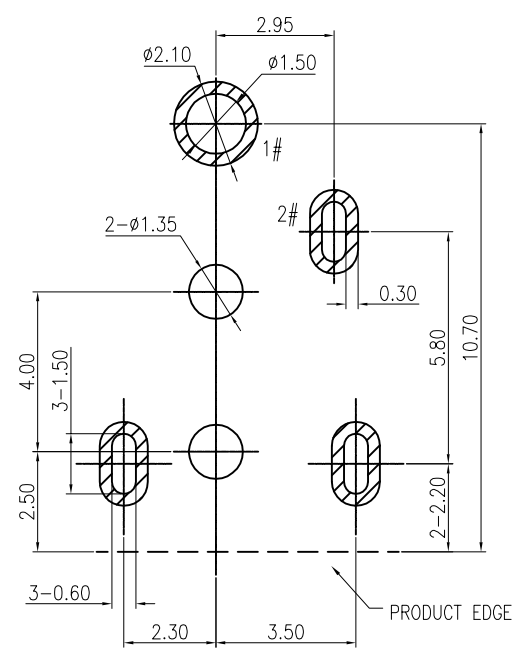
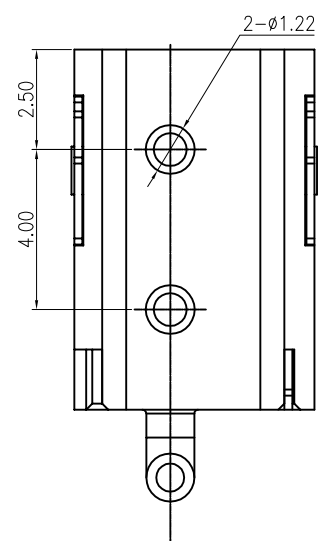
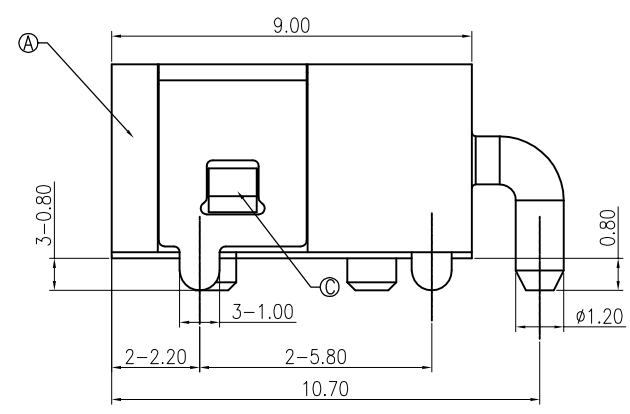
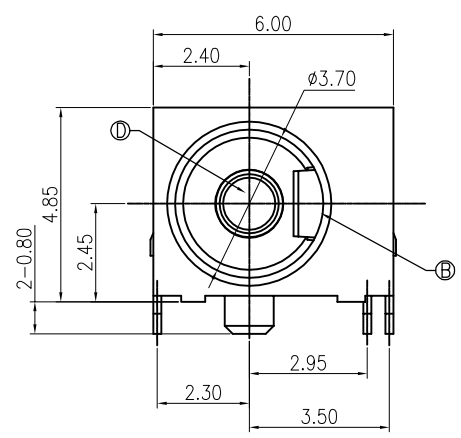
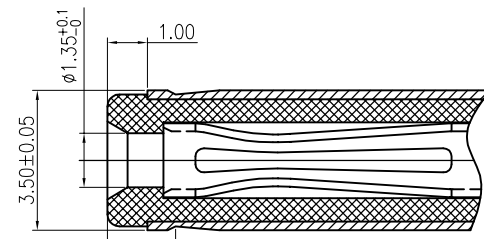


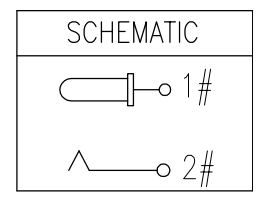
修订	标记	修改摘要	签名	日期
REV	MARK	REVISION DESCRIPTION	SIGNATURE	DATE
AO		NEW DWG		2016-03-12



SECTION A-A



MATING PLUG
P/N.: DP350135-0120-6H



SPECIFICATION

1. Rating : DC 12V, 3.0A;
2. Contact resistance: 30mΩ MAX;
3. Insulation resistance: 100MΩ MIN.;
4. Withstand voltage: 500VAC ;
5. Insertion and extraction force: 3-20N
6. life test: 5,000 cycles.

RECOMMENDED PCB LAYOUT
TOP VIEW TOLERANCE: ±0.05

D	PIN	QTY	MATERIAL	PLATING
D	PIN	1	HBi59	Gold flash/Ni
C	CURVE PIECE	1	SUS 304	Ni
B	SPRING	1	C5191	Sn/Ni
A	HOUSING	1	PA46 BLACK	
NO.	DESCRIPTION	QTY	MATERIAL	PLATING

HDCG 深圳市华德共创科技有限公司
Shenzhen Huade co-create Technology Co., LTD
电话: 0755-23304126 传真: 0755-29940187

-TOLERANCES- UNLESS OTHERWISE SPECIFIED 公差参数表		TITLE: DC Power Jack 35135 大电流5A, 卧 产品名称: 式, 高可靠, 两脚插板CL=2.45	
X.X	±0.30	X.X*	±3°
X.XX	±0.20	X.XX*	±2°
X.XXX	±0.10	X.XXX*	±1°
APPD: 核准:	王建国	PART NO: 产品编号:	DC350135-0831-2H
CHECK: 校对:	黄艳兰	DATE	SCALE
DRAW: 绘图:	2016-03-12	UNIT	CODE NUMBER
	1:1	mm	A001