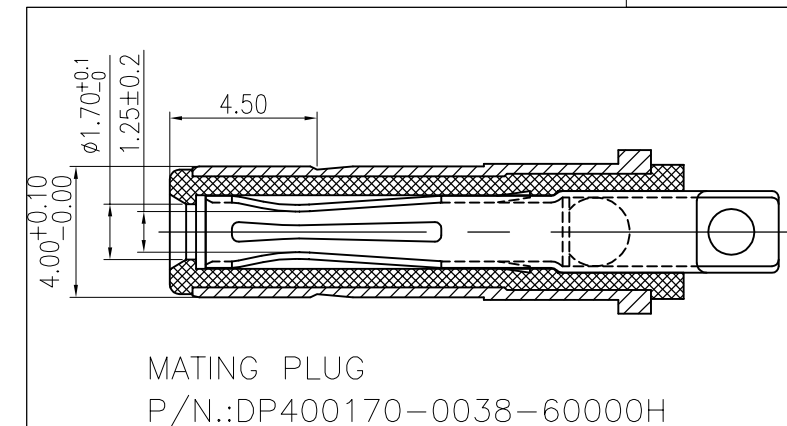
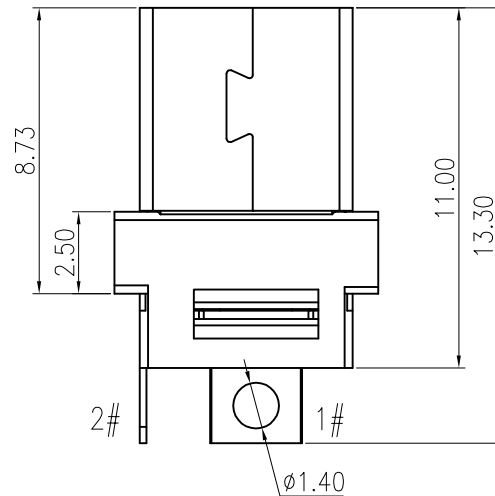
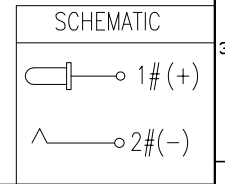


3D VIEW



修订 REV NO	标记 MARK	修改摘要 REVISION DESCRIPTION	签名 SIGNATURE	日期 DATE
		NEW DWG		2016-03-12



SPECIFICATION:

1. RATING: DC 20V 5A
2. CONTACT RESISTANCE: 30mΩ MAX.
3. INSULATION RESISTANCE: 100 MΩ MIN.
4. WITHSTAND VOLTAGE: 500 VAC
5. INSERTION FORCE: 2.0Kgf MAX.(INITIAL)  
2.0Kgf MAX.(FINAL)
6. EXTRACTION FORCE: 1Kgf~3.0Kgf(INITIAL)  
0.7Kgf~3.0Kgf(FINAL)
7. DURABILITY: 10,000 CYCLES

NO.	DESCRIPTION	MATERIAL	REMARKS	QTY
D	STOPPER	SUS 304		1
C	CENTER PIN	C3602	Sn100u"/Ni 50u"	1
B	SHELL	C5210	Ni 50u"	1
A	HOUSING	PA10T	BLACK	1



深圳市华德共创科技有限公司  
Shenzhen Huade co-create Technology Co.,LTD  
电话: 0755-23304126 传真: 0755-29940187

-TOLERANCES- UNLESS OTHERWISE SPECIFIED 公差参数表				TITLE: DC Power Jack 4017 大电流8A, 焊线 产品名称: 式, 高可靠, 焊线式				
X.X	±0.30	X.X*	±3°	APPD: 核准:	PART NO: 产品编号: DC400170-0119-6H			
X.XX	±0.20	X.XX*	±2°	CHECK: 校对: 王建业	DATE	SCALE	UNIT	CODE NUMBER
X.XXX	±0.10	X.XXX*	±1°	DRAW: 绘图: 黄艳兰	2016-03-12	1:1	mm	A001