

# 承 认 书

SPECIFICATION FOR APPROVAL

客户 (CUSTOMER): \_\_\_\_\_

产品名称 (PRODUCT NAME): 贴片式蜂鸣器 (外部驱动)

型号 (TYPE): YS-SBZ8530C05R30

客户料号 (CUSTOMER NO) \_\_\_\_\_

日期 (DATE): 2022-08-04

客户确认: (签章)
日期:

## 东 莞 市 锋 鸣 电 子 有 限 公 司

电话: 0769-88036425

传真: 0769-85474556

制单: 李琳

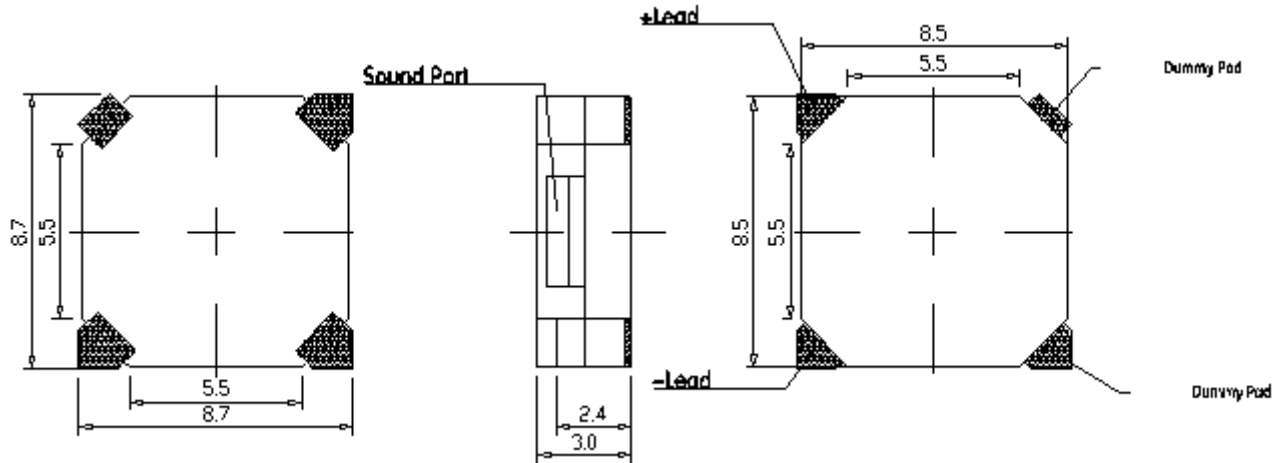
业务: 宋浩亮

工程: 黄鑫

# FENGMINGTECHOFDONGGUAN CO.,LTD

YS-SBZ8530C05R30

## APPEARANCE DRAWING



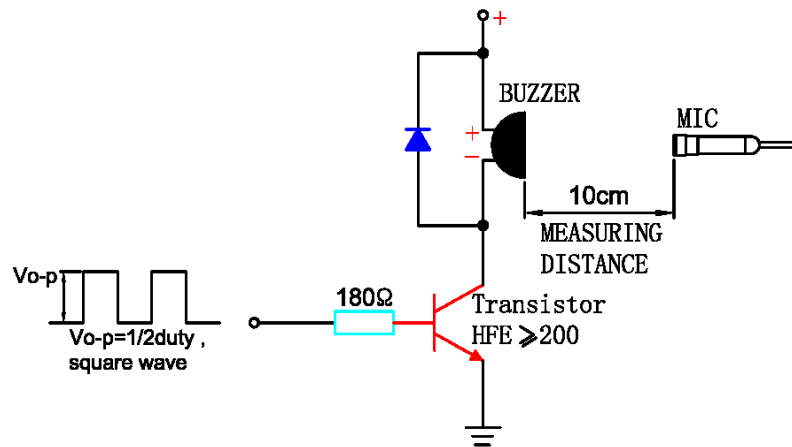
Tol:± 0.5 Unit:mm

## SPECIFICATION:

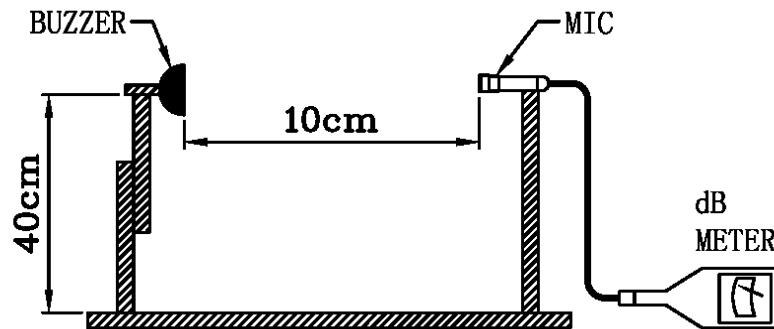
Model NO	YS-SBZ8530C05R30
Rated Voltage	5V
Operating Voltage	4~7V
Rated Current	Max. 90mA
Coil Resistance	$30 \pm 4 \Omega$
sound Pressure level(dB/2700Hz/at 10cm)	Min.85dB
Resonant Frequency	2700Hz
Operating Temperature	-20°C~+70°C
Storage Temperature	-30°C~+80°C

## Acoustic Characteristics:

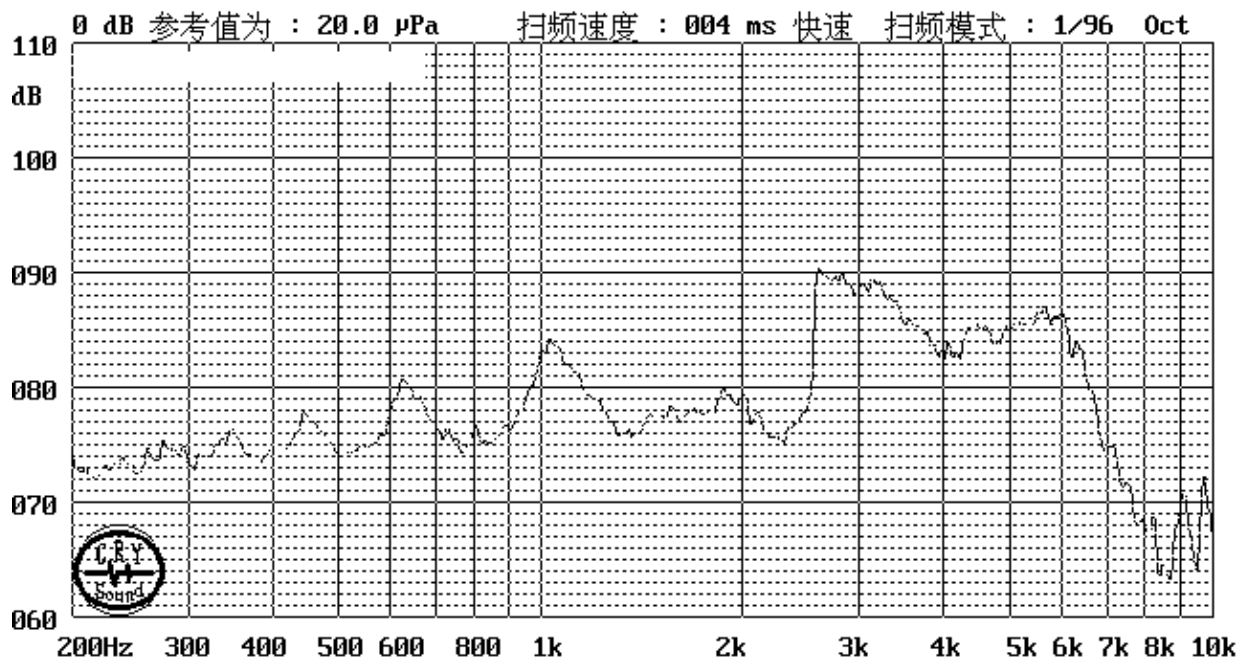
The oscillation frequency, current consumption and sound pressure are measured by the measuring instruments shown below



In the measuring test, buzzer is placed as follows:



## Typical Frequency Response Curve



## RELIABILITY:

<b>ITEMS</b>	<b>METHOD OF TEST AND MEASUREMENTS</b>	<b>PERFORMANCE</b>
<i>Coldness withstanding</i>	<i>After 98 hours of being exposed to -30°C environment, should be returned to normal environment for 2 hours, then re-proceed to test.</i>	<i>No abnormality shall exist</i>
<i>Hotness withstanding</i>	<i>After 98 hours of being exposed to +80°C environment, should be returned to normal environment for 2 hours, then re-proceed to test.</i>	<i>No abnormality shall exist</i>
<i>Humidity withstanding</i>	<i>After 98 hours of being exposed to 40°C 95%RH environment in actual operation, should be returned to normal environment for 2 hours, then re-proceed to test.</i>	<i>No abnormality shall exist</i>
<i>Durability</i>	<i>Testing after 1,000 hours actual continuous operation. (at standard measurement conditions)</i>	<i>No abnormality shall exist</i>
<i>Drop withstanding</i>	<i>A natural drop from 75cm high down to the ground.</i>	<i>No abnormality shall exist</i>
<i>Vibration withstanding</i>	<i>Vibration of 2,000 cycles per minute, 2mm amplitude, applied in X, Y and Z directions for 30 minutes each.</i>	<i>No abnormality shall exist</i>

### Soldering Condition

(1) Recommendable reflow soldering condition is as follows  
(Reflow soldering is twice)

Note: It is requested that reflow soldering should be executed  
after heat of product goes down to normal.

TEMPERATURE

