
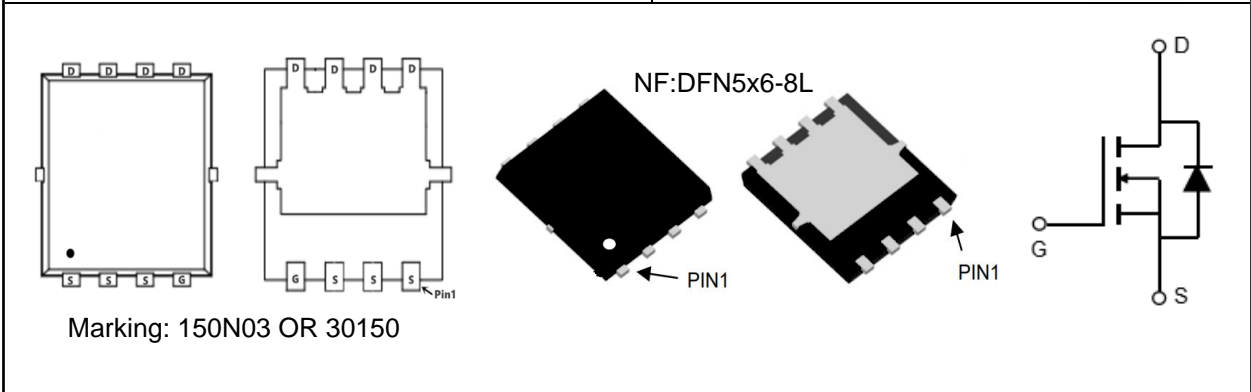


TMN30150NF

N-Channel Enhancement Mosfet

<p>General Description</p> <ul style="list-style-type: none"> • Low $R_{DS(ON)}$ • RoHS and Halogen-Free Compliant <p>Applications</p> <ul style="list-style-type: none"> • Load switch • PWM 	<p>General Features</p> <p>$V_{DS} = 30V$ $I_D = 150A$ $R_{DS(ON)} = 1.8m\Omega @ V_{GS}=10V$</p> <p>100% UIS Tested 100% R_g Tested</p> 
--	---



Absolute Maximum Ratings ($T_A = 25^\circ C$ Unless Otherwise Noted)

Symbol	Parameter	Rating	Unit	
Common Ratings				
V_{DSS}	Drain-Source Voltage	30	V	
V_{GSS}	Gate-Source Voltage	± 20		
T_J	Maximum Junction Temperature	150	$^\circ C$	
T_{STG}	Storage Temperature Range	-55 to 150		
I_S	Diode Continuous Forward Current	$T_C=25^\circ C$	A	
I_D^a	Continuous Drain Current	$T_C=25^\circ C$		150
		$T_C=100^\circ C$		75
I_{DM}^b	Pulsed Drain Current	$T_C=25^\circ C$	160	
P_D	Maximum Power Dissipation	$T_C=25^\circ C$	78	W
		$T_C=100^\circ C$	31	
$R_{\theta JC}$	Thermal Resistance-Junction to Case	Steady State	1.6	$^\circ C/W$
I_D^c	Continuous Drain Current	$T_A=25^\circ C$	28	A
		$T_A=70^\circ C$	22	
P_D^c	Maximum Power Dissipation	$T_A=25^\circ C$	2.3	W
		$T_A=70^\circ C$	1.5	
$R_{\theta JA}^c$	Thermal Resistance-Junction to Ambient	$t \leq 10s$	20	$^\circ C/W$
		Steady State	55	
I_{AS}^d	Avalanche Current, Single pulse	$L=0.1mH$	86	A
E_{AS}^d	Avalanche Energy, Single pulse	$L=0.1mH$	372	mJ

Note a,* : Max. continue current is limited by bonding wire.
 Note b : Pulse width is limited by max. junction temperature.
 Note c : $R_{\theta JA}$ steady state $t=999s$.
 Note d : UIS tested and pulse width limited by maximum junction temperature $150^\circ C$ (initial temperature $T_J=25^\circ C$).

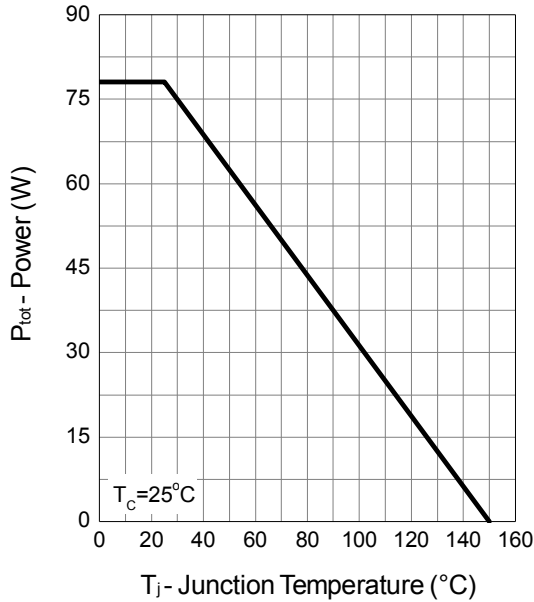
Electrical Characteristics ($T_A = 25^\circ\text{C}$ unless otherwise noted)

Symbol	Parameter	Test Conditions	Min.	Typ.	Max.	Unit
Static Characteristics						
BV_{DSS}	Drain-Source Breakdown Voltage	$V_{GS}=0V, I_{DS}=250\mu A$	30	-	-	V
$BV_{DSS(t)}$	Drain-Source Breakdown Voltage (transient)	$V_{GS}=0V, I_{D(av)}=40A$ $T_{case}=25^\circ\text{C}, t_{transient}=100ns$	34	-	-	V
I_{DSS}	Zero Gate Voltage Drain Current	$V_{DS}=24V, V_{GS}=0V$	-	-	1	μA
		$T_J=85^\circ\text{C}$	-	-	30	
$V_{GS(th)}$	Gate Threshold Voltage	$V_{DS}=V_{GS}, I_{DS}=250\mu A$	1.3	1.6	2.3	V
I_{GSS}	Gate Leakage Current	$V_{GS}=\pm 20V, V_{DS}=0V$	-	-	± 100	nA
$R_{DS(ON)}^e$	Drain-Source On-state Resistance	$V_{GS}=10V, I_{DS}=20A$	-	1.8	2.3	m Ω
		$T_J=125^\circ\text{C}$	-	2.2	-	
		$V_{GS}=4.5V, I_{DS}=12A$	-	2.2	3	
Gfs	Forward Transconductance	$V_{DS}=5V, I_{DS}=15A$	-	32	-	S
Diode Characteristics						
V_{SD}^e	Diode Forward Voltage	$I_{SD}=20A, V_{GS}=0V$	-	0.8	1.1	V
t_{rr}	Reverse Recovery Time	$I_{SD}=20A, dI_{SD}/dt=100A/\mu s$	-	50	-	ns
t_a	Charge Time		-	23.5	-	
t_b	Discharge Time		-	27.5	-	
Q_{rr}	Reverse Recovery Charge		-	45	-	
Dynamic Characteristics						
R_G	Gate Resistance	$V_{GS}=0V, V_{DS}=0V, F=1MHz$	-	0.9	2	Ω
C_{iss}	Input Capacitance	$V_{GS}=0V,$ $V_{DS}=25V,$ Frequency=1.0MHz	-	2780		pF
C_{oss}	Output Capacitance		-	590		
C_{riss}	Reverse Transfer Capacitance		-	130		
$t_{d(ON)}$	Turn-on Delay Time	$V_{DD}=15V, R_L=15\Omega,$ $I_{DS}=1A, V_{GEN}=10V,$ $R_G=6\Omega$	-	15.5	-	ns
t_r	Turn-on Rise Time		-	11	-	
$t_{d(OFF)}$	Turn-off Delay Time		-	35	-	
t_f	Turn-off Fall Time		-	40	-	
Gate Charge Characteristics						
Q_g	Total Gate Charge	$V_{DS}=15V, V_{GS}=10V,$ $I_{DS}=20A$	-	44.5	57.8	nC
Q_g	Total Gate Charge	$V_{DS}=15V, V_{GS}=4.5V,$ $I_{DS}=20A$	-	21.2	-	
Q_{gth}	Threshold Gate Charge		-	2.9	-	
Q_{gs}	Gate-Source Charge		-	4.3	-	
Q_{gd}	Gate-Drain Charge		-	8.3	-	

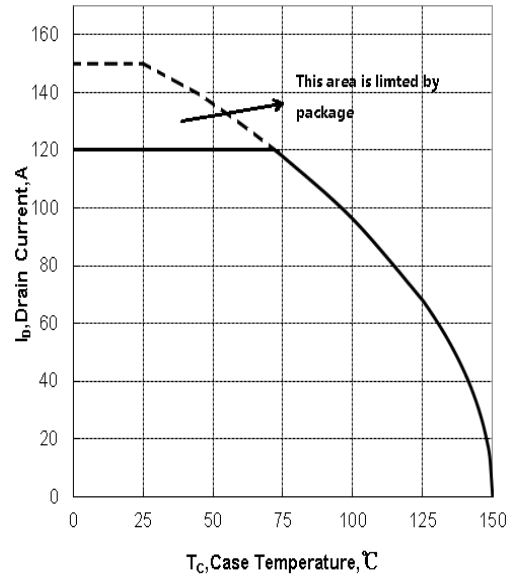
Note e : Pulse test ; pulse width $\leq 300\mu s$, duty cycle $\leq 2\%$.

Typical Operating Characteristics

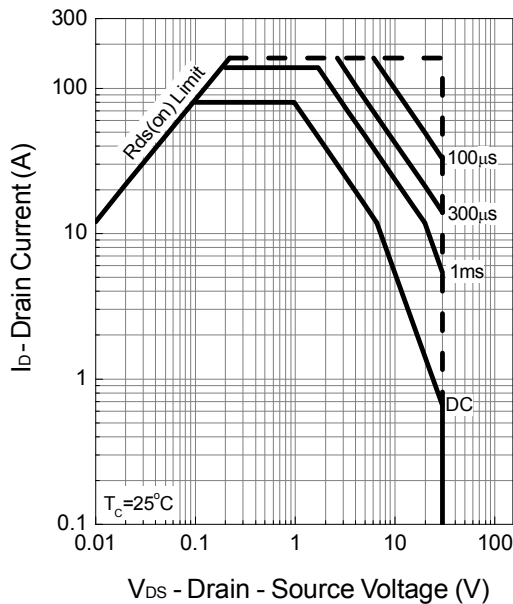
Power Dissipation



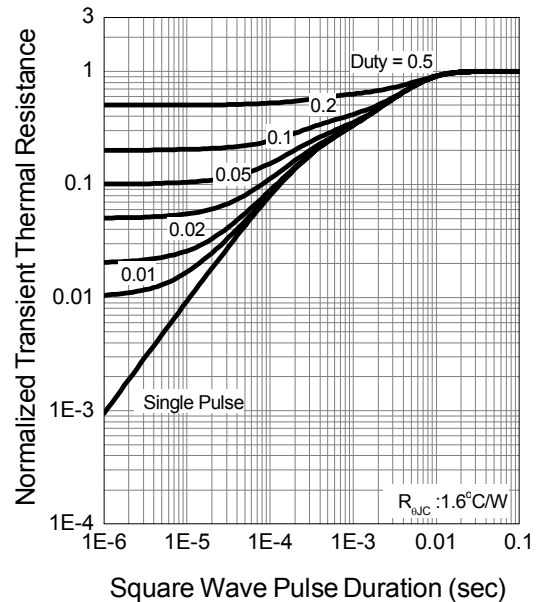
Drain Current



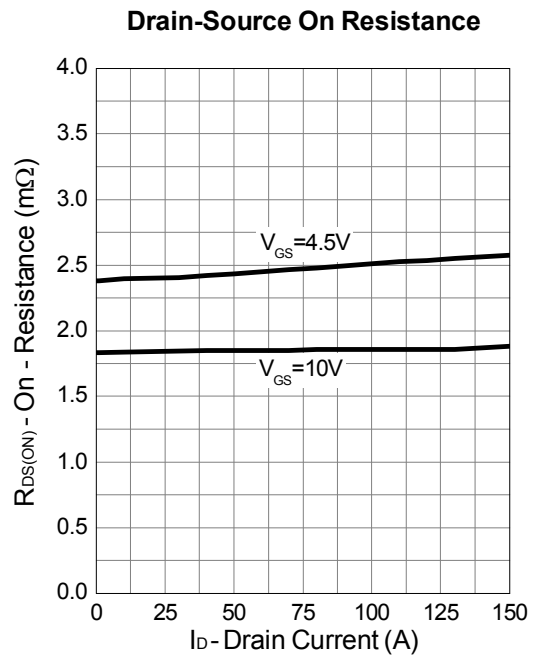
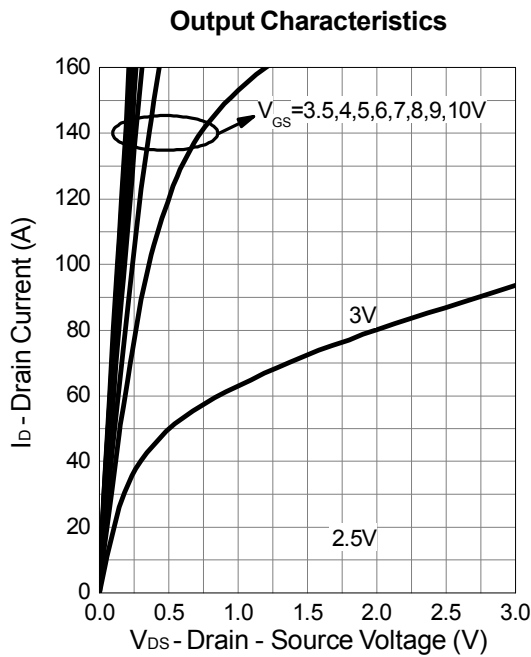
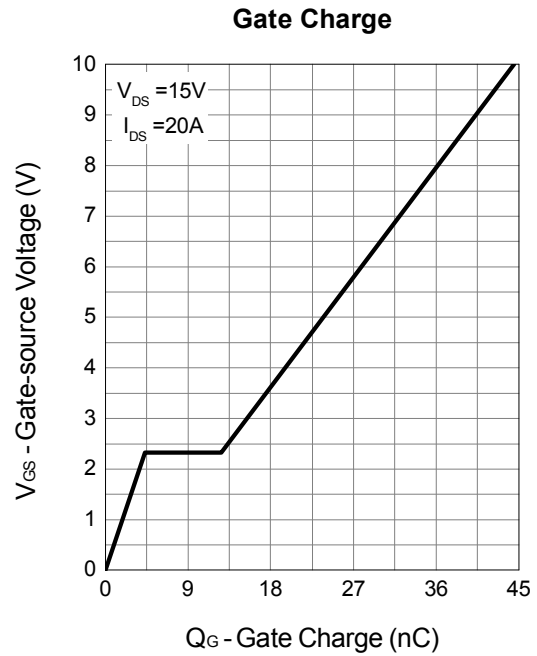
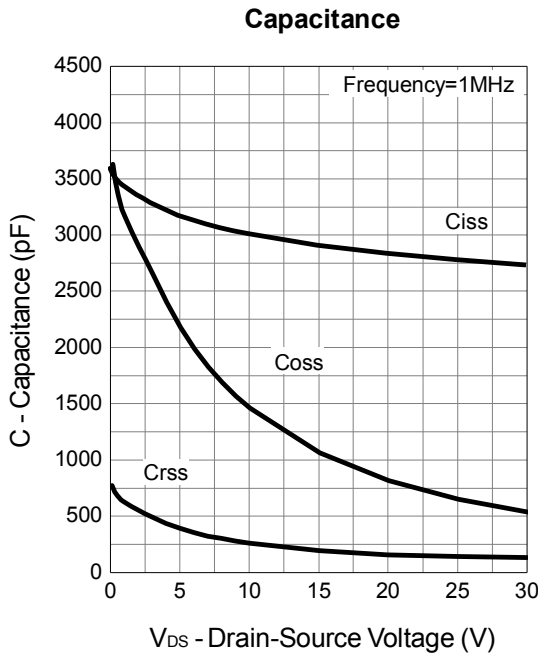
Safe Operation Area



Thermal Transient Impedance

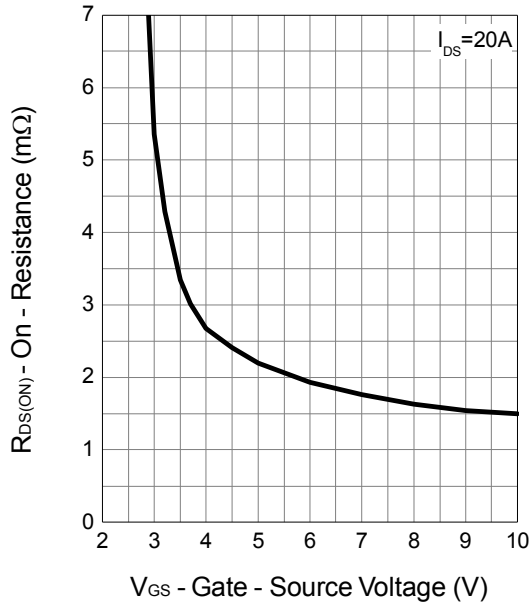


Typical Operating Characteristics (Cont.)

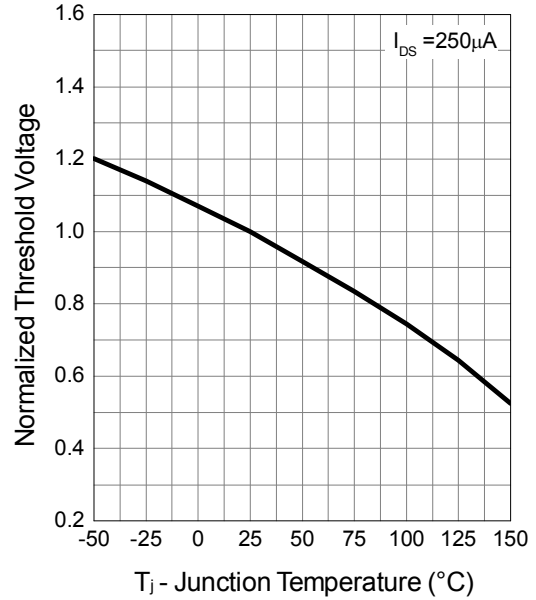


Typical Operating Characteristics (Cont.)

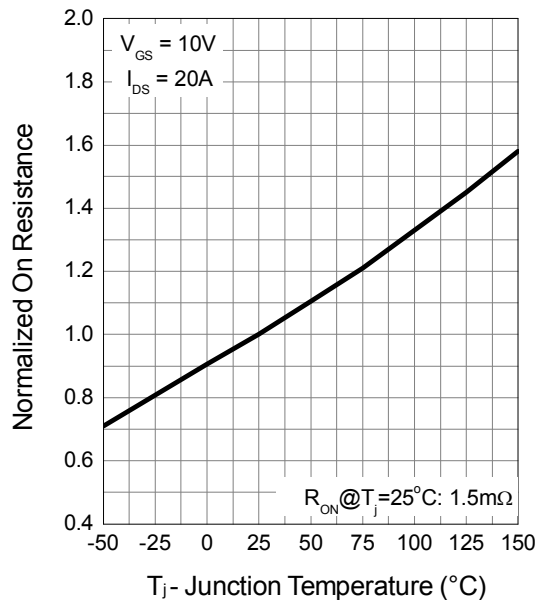
Gate-Source On Resistance



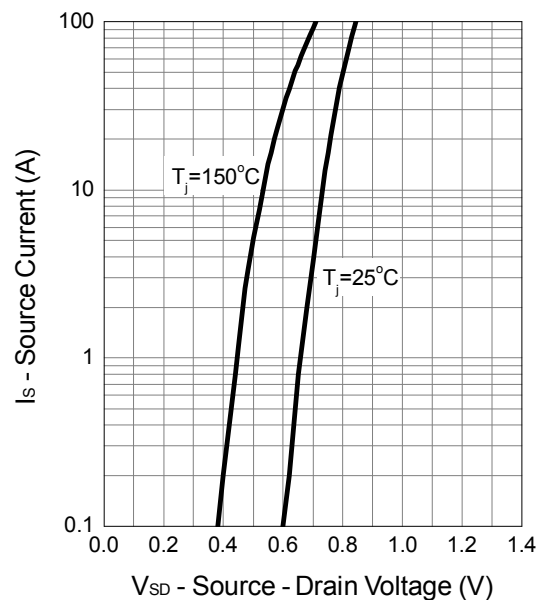
Gate Threshold Voltage



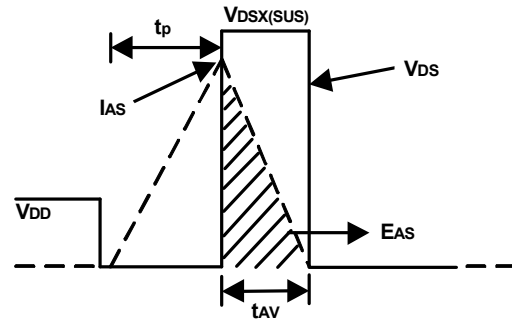
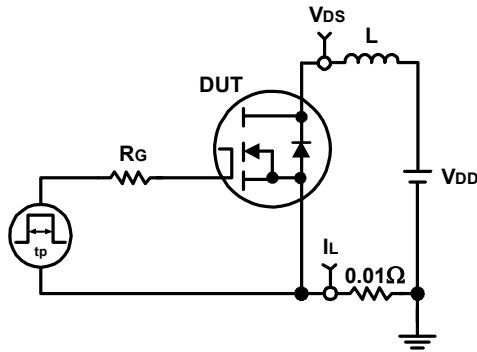
Drain-Source On Resistance



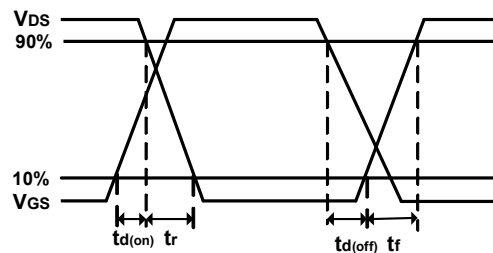
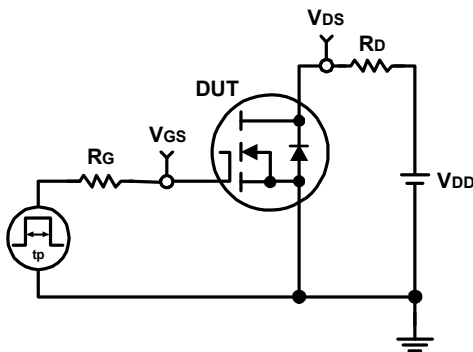
Source-Drain Diode Forward



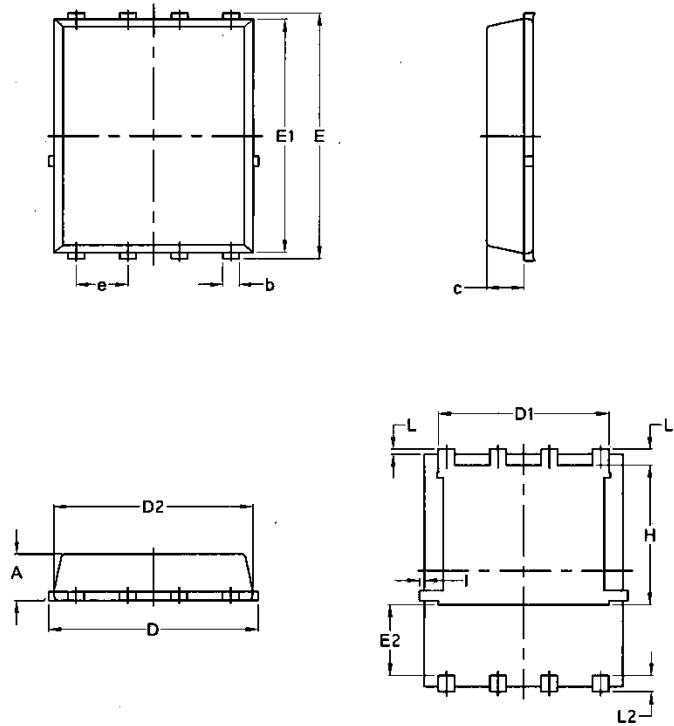
Avalanche Test Circuit and Waveforms



Switching Time Test Circuit and Waveforms



Package Mechanical Data: DFN5x6-8L



Symbol	Common			
	mm		Inch	
	Min	Max	Min	Max
A	1.03	1.17	0.0406	0.0461
b	0.34	0.48	0.0134	0.0189
c	0.824	0.0970	0.0324	0.082
D	4.80	5.40	0.1890	0.2126
D1	4.11	4.31	0.1618	0.1697
D2	4.80	5.00	0.1890	0.1969
E	5.95	6.15	0.2343	0.2421
E1	5.65	5.85	0.2224	0.2303
E2	1.60	/	0.0630	/
e	1.27 BSC		0.05 BSC	
L	0.05	0.25	0.0020	0.0098
L1	0.38	0.50	0.0150	0.0197
L2	0.38	0.50	0.0150	0.0197
H	3.30	3.50	0.1299	0.1378
I	/	0.18	/	0.0070