




TMP3090NF

P-Channel Enhancement Mosfet

<p>General Description</p> <ul style="list-style-type: none"> • Low $R_{DS(ON)}$ • RoHS and Halogen-Free Compliant <p>Applications</p> <ul style="list-style-type: none"> • Load switch • PWM 	<p>General Features</p> <p>$V_{DS} = -30V$ $I_D = -90A$</p> <p>$R_{DS(ON)} = 3.6m\Omega$(typ.) @ $V_{GS} = -10V$</p> <p>100% UIS Tested 100% R_g Tested</p> 
--	---

Marking: 90P03

Absolute Maximum Ratings ($T_A = 25^\circ C$ Unless Otherwise Noted)

Parameter	Symbol	Value	Unit
Drain-Source Voltage	V_{DS}	-30	V
Gate-Source Voltage	V_{GS}	± 20	V
Continuous Drain Current	I_D	$T_C = 25^\circ C$	-90
		$T_C = 100^\circ C$	-57
Pulsed Drain Current ¹	I_{DM}	-360	A
Single Pulse Avalanche Energy ²	EAS	125	mJ
Total Power Dissipation	$T_C = 25^\circ C$ P_D	60	W
Operating Junction and Storage Temperature Range	T_J, T_{STG}	-55 to 150	$^\circ C$

Thermal Characteristics

Parameter	Symbol	Value	Unit
Thermal Resistance from Junction-to-Ambient ³	$R_{\theta JA}$	55	$^\circ C/W$
Thermal Resistance from Junction-to-Case	$R_{\theta JC}$	2.08	$^\circ C/W$

Electrical Characteristics (T_J = 25°C, unless otherwise noted)

Parameter	Symbol	Test Conditions	Min.	Typ.	Max.	Unit	
Static Characteristics							
Drain-Source Breakdown Voltage	V_{(BR)DSS}	V _{GS} = 0V, I _D = -250μA	-30	-	-	V	
Gate-body Leakage current	I_{GSS}	V _{DS} = 0V, V _{GS} = ±20V	-	-	±100	nA	
Zero Gate Voltage Drain Current	I_{DSS}	V _{DS} = -30V, V _{GS} = 0V	T _J =25°C	-	-	-1	μA
			T _J =100°C	-	-	-100	
Gate-Threshold Voltage	V_{GS(th)}	V _{DS} = V _{GS} , I _D = -250μA	-1.0	-1.6	-2.5	V	
Drain-Source On-Resistance ⁴	R_{DS(on)}	V _{GS} = -10V, I _D = -30A	-	3.6	5.5	mΩ	
		V _{GS} = -4.5V, I _D = -15A	-	5.5	6.9		
Forward Transconductance ⁴	g_{fs}	V _{DS} = -10V, I _D = -30A	-	90	-	S	
Dynamic Characteristics⁵							
Input Capacitance	C_{iss}	V _{DS} = -15V, V _{GS} = 0V, f = 1MHz	-	5070	-	pF	
Output Capacitance	C_{oss}		-	695	-		
Reverse Transfer Capacitance	C_{rss}		-	580	-		
Gate resistance	R_g	f = 1MHz	-	4	-	Ω	
Switching Characteristics⁵							
Total Gate Charge	Q_g	V _{GS} = -10V, V _{DS} = -15V, I _D = -30A	-	146	-	nC	
Gate-Source Charge	Q_{gs}		-	21.5	-		
Gate-Drain Charge	Q_{gd}		-	39	-		
Turn-On Delay Time	t_{d(on)}	V _{GS} = -10V, V _{DD} = -15V, R _G = 3Ω, I _D = -30A	-	23	-	ns	
Rise Time	t_r		-	15	-		
Turn-Off Delay Time	t_{d(off)}		-	129	-		
Fall Time	t_f		-	28	-		
Drain-Source Body Diode Characteristics							
Diode Forward Voltage ⁴	V_{SD}	I _S = -30A, V _{GS} = 0V	-	-	-1.2	V	
Continuous Source Current	I_S	T _C =25°C	-	-	-90	A	

Note :

1. Repetitive rating, pulse width limited by junction temperature T_{J(MAX)}=150°C
2. The EAS data shows Max. rating . The test condition is V_{DD}= -25V, V_{GS}= -10V, L= 0.1mH, I_{AS}= -50A
3. The data tested by surface mounted on a 1 inch² FR-4 board with 2OZ copper, The value in any given application depends on the user's specific board design.

Typical Characteristics

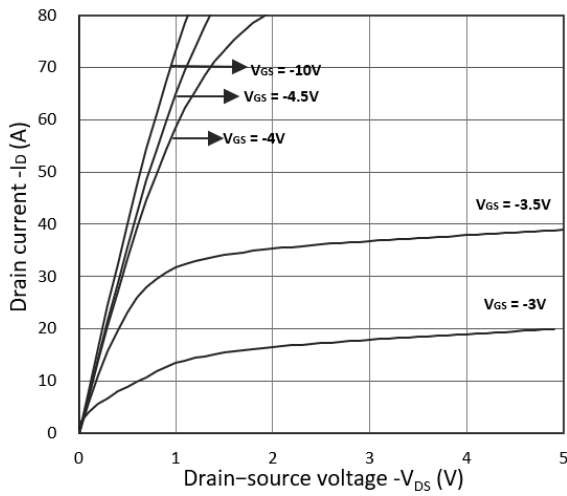


Figure 1. Output Characteristics

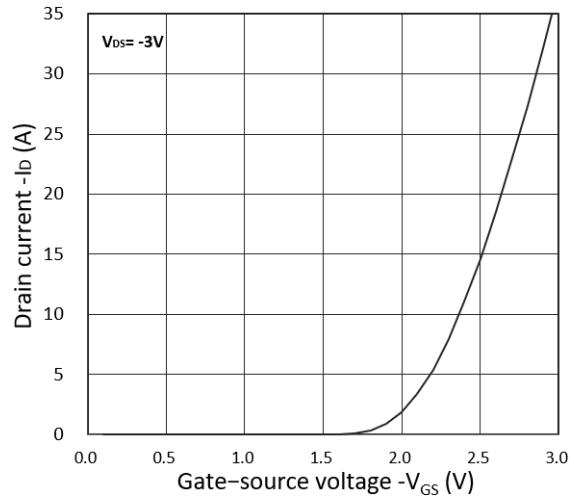


Figure 2. Transfer Characteristics

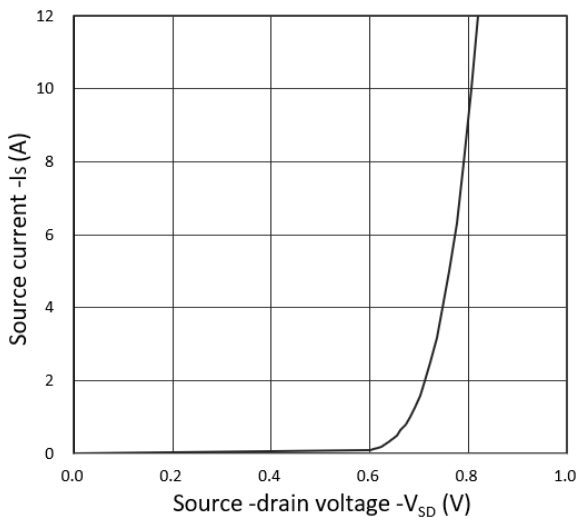


Figure 3. Forward Characteristics of Reverse

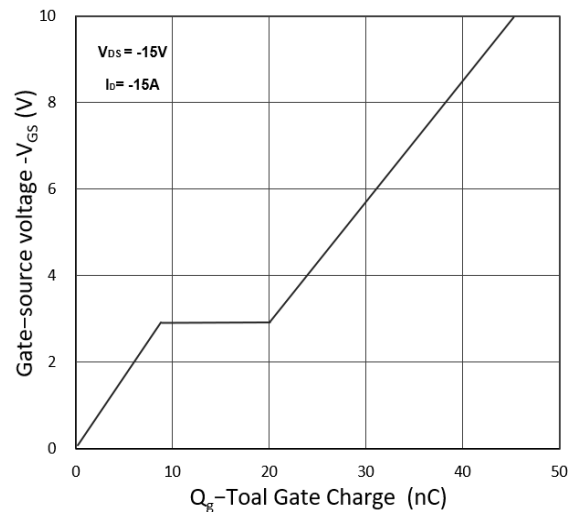


Figure 4. Gate Charge Characteristics

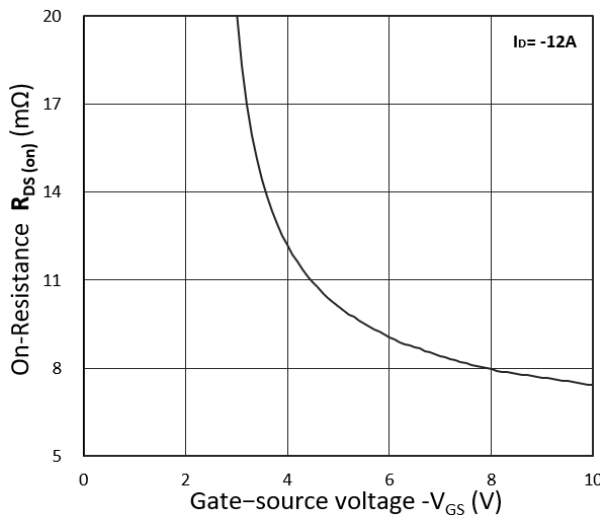


Figure 5. $R_{DS(on)}$ vs. V_{GS}

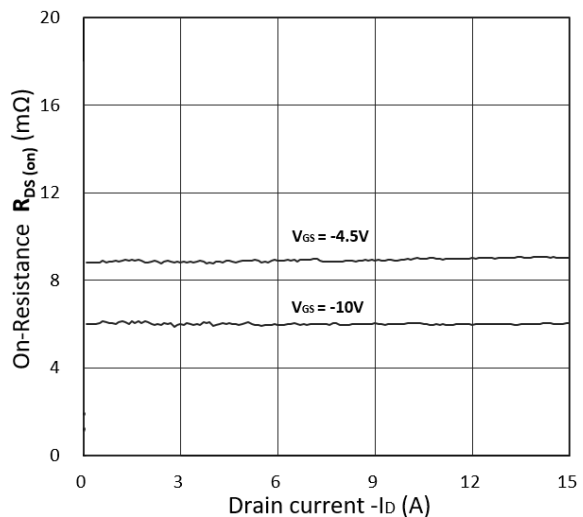


Figure 6. $R_{DS(on)}$ vs. I_D

TMP3090NF

P-Channel Enhancement Mosfet

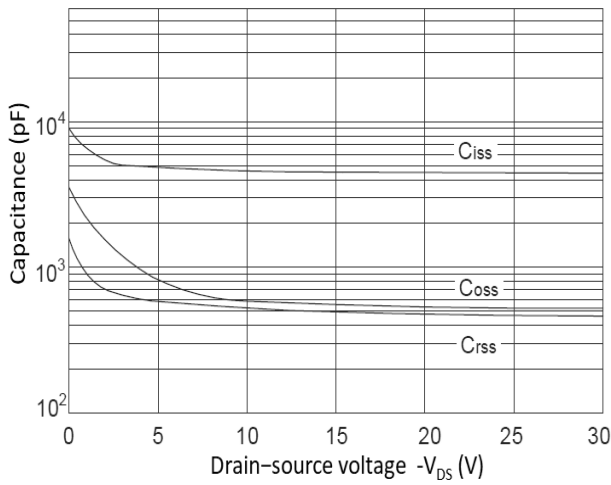


Figure 7. Capacitance Characteristics

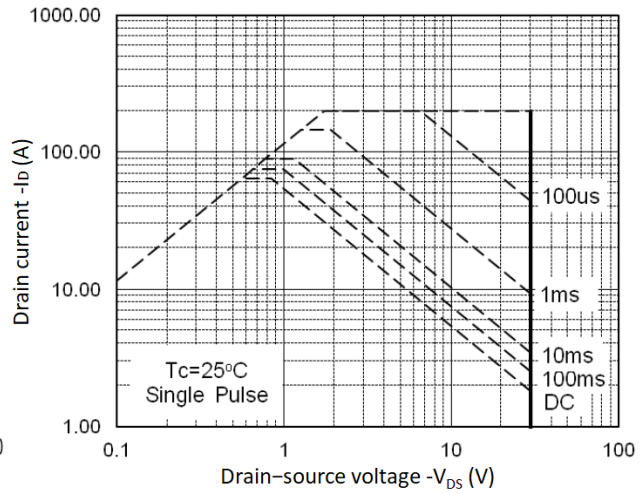


Figure 8. Safe Operating Area

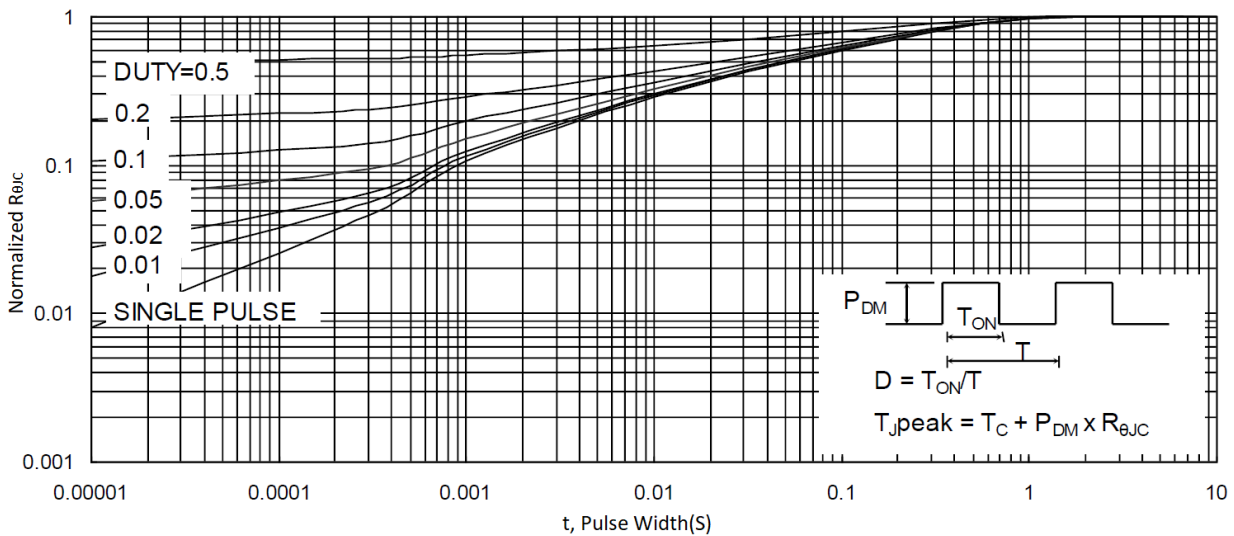


Figure 9. Normalized Maximum Transient Thermal Impedance

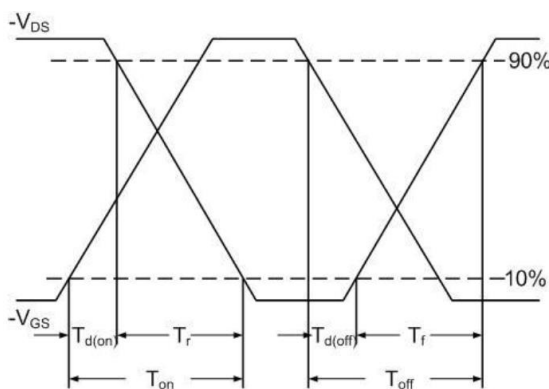


Figure 10. Switching Time Waveform

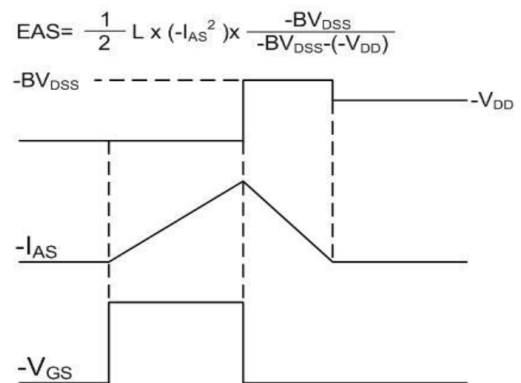


Figure 11. Unclamped Inductive Switching



TMP3090NF

P-Channel Enhancement Mosfet

Test Circuit

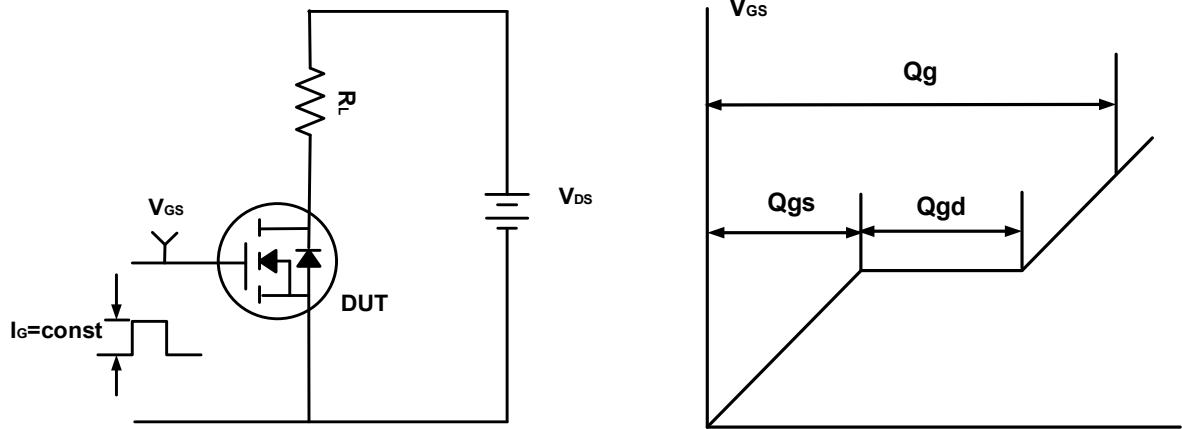


Figure A. Gate Charge Test Circuit & Waveforms

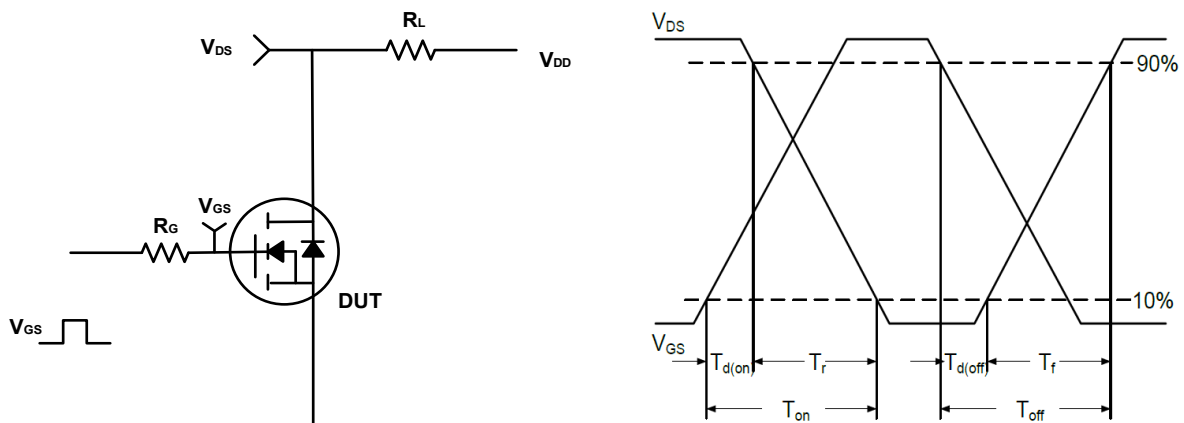


Figure B. Switching Test Circuit & Waveforms

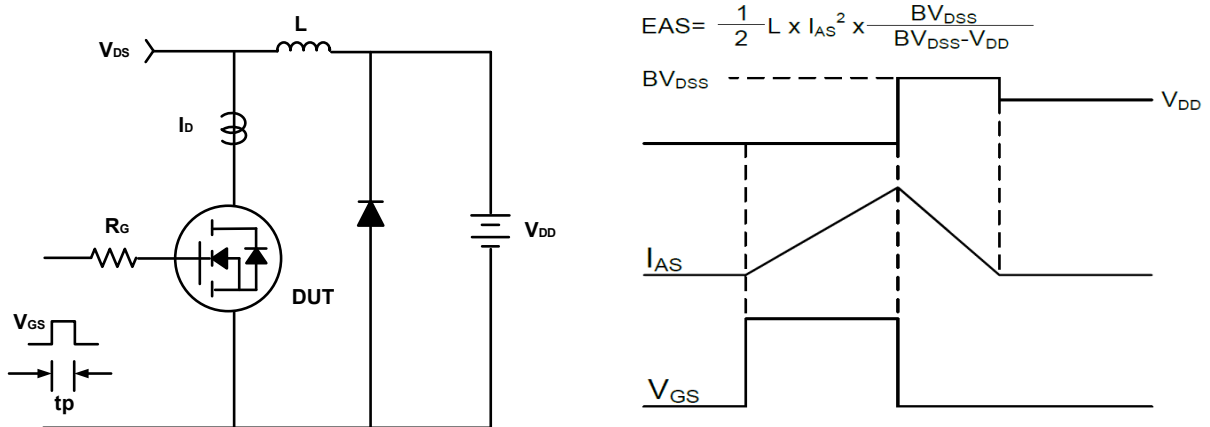
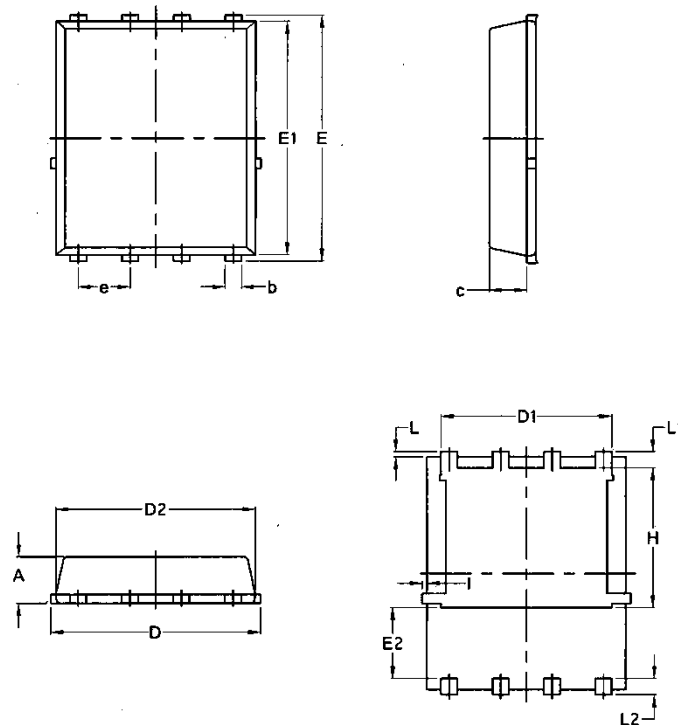


Figure C. Unclamped Inductive Switching Circuit & Waveforms

Package Mechanical Data: DFN5x6-8L



Symbol	Common			
	mm		Inch	
	Min	Max	Min	Max
A	1.03	1.17	0.0406	0.0461
b	0.34	0.48	0.0134	0.0189
c	0.824	0.0970	0.0324	0.082
D	4.80	5.40	0.1890	0.2126
D1	4.11	4.31	0.1618	0.1697
D2	4.80	5.00	0.1890	0.1969
E	5.95	6.15	0.2343	0.2421
E1	5.65	5.85	0.2224	0.2303
E2	1.60	/	0.0630	/
e	1.27 BSC		0.05 BSC	
L	0.05	0.25	0.0020	0.0098
L1	0.38	0.50	0.0150	0.0197
L2	0.38	0.50	0.0150	0.0197
H	3.30	3.50	0.1299	0.1378
I	/	0.18	/	0.0070