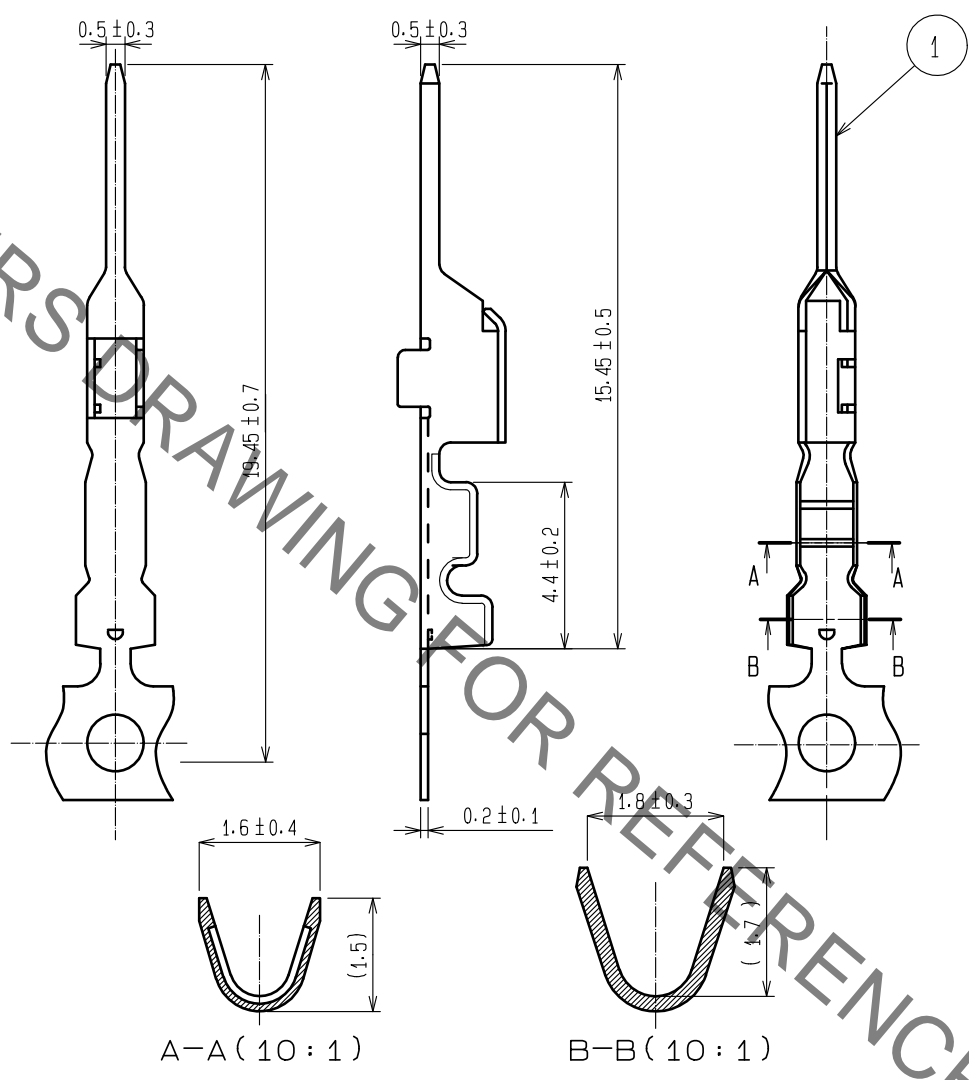


ELV, RoHS COMPLIANT



NOTE 1. 10000 PIECES PER REEL.  
 ⚠ 2. REGARDING HOW TO HANDLE THE PACKAGED PRODUCTS, PLEASE REFER TO THE ATAD-T0946-00「INSTRUCTION MANUAL FOR HANDLING OF REEL PACKAGING CONTAINING CRIMP TERMINALS」

1	BRASS	TIN PLATING						
NO.	MATERIAL	FINISH	REMARKS	NO.	MATERIAL	FINISH	REMARKS	
UNITS mm		SCALE 5 : 1	COUNT 1	DESCRIPTION OF REVISIONS DIS-T-00013629		DESIGNED AN. SAIKI	CHECKED EJ. WAKATSUKI	DATE 20220530
<b>HRS</b> HIROSE ELECTRIC CO., LTD.	APPROVED	:KS. SATOH		20071212	DRAWING NO.	EDC4-166884-00		
	CHECKED	:KS. SATOH		20071212	PART NO.	GT8E-2428PCF		
	DESIGNED	:TY. IKEDA		20071211	CODE NO.	CL0758-0067-6-00		
	DRAWN	:TY. IKEDA		20071211				

May.1.2023 Copyright 2023 HIROSE ELECTRIC CO., LTD. All Rights Reserved. In case of consideration for using Automotive equipment / device which demand high reliability, kindly contact our sales window correspondents.