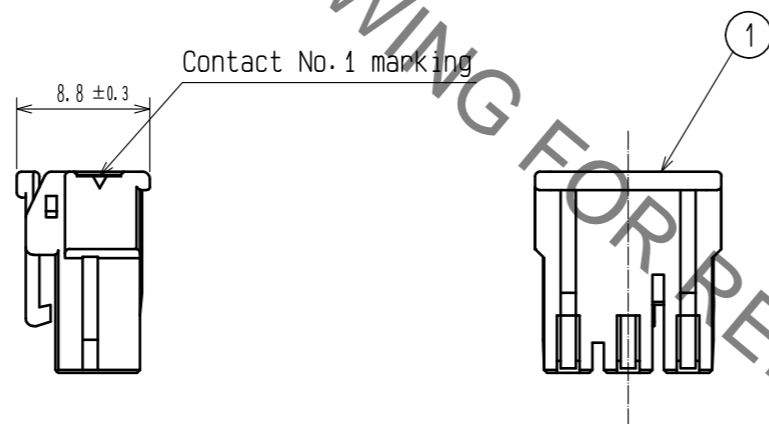
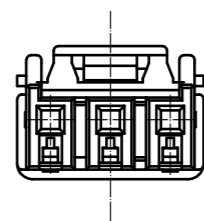
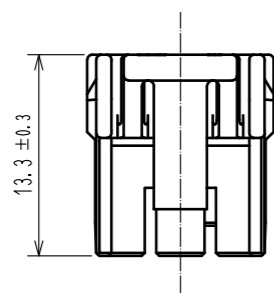
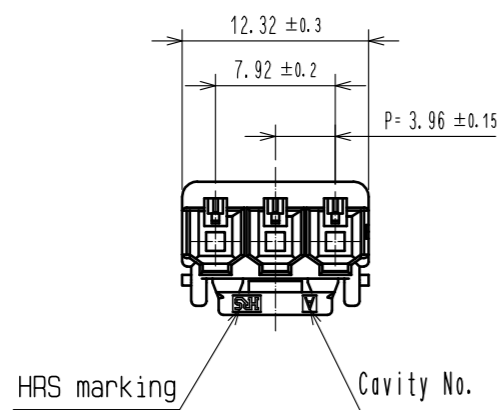
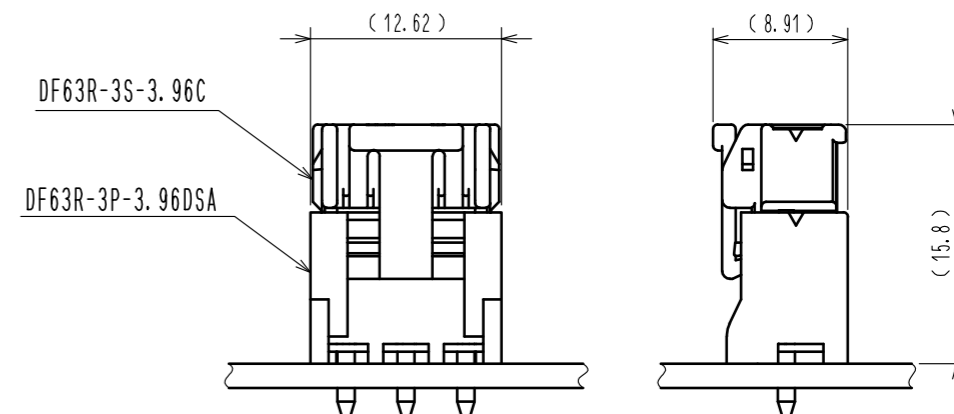


Jun.1.2023 Copyright 2023 HIROSE ELECTRIC CO., LTD. All Rights Reserved.
 In case of consideration for using Automotive equipment / device which demand high reliability, kindly contact our sales window correspondents.



Mating Figure



HRS DRAWING FOR REFERENCE

- Note1. Per pack : 100 pieces
 2. The dimensions in parenthesis are for reference.
 ⚠ 3. UL(File No. E52653)
 C-UL(Fie No. E52653)
 TUV(Certificate No. R50318850) authorization article.



NO.		MATERIAL		FINISH . REMARKS		1	PBT	UL94V-0(White) ⚠	
UNITS mm		SCALE 2 : 1	COUNT 2	DESCRIPTION OF REVISIONS DIS-H-00003929		DESIGNED TS. KUMAZAWA		CHECKED SZ. ONO	DATE 18. 06. 12
HIROSE ELECTRIC CO., LTD.		APPROVED : KI. AKIYAMA		14. 06. 05		DRAWING NO. EDC3-356812-00			
		CHECKED : HK. UMEHARA		14. 06. 05		PART NO. DF63R-3S-3. 96C			
		DESIGNED : YK. YAMAGUCHI		14. 05. 30		CODE NO. CL680-0516-0-00			
		DRAWN : YK. YAMAGUCHI		14. 05. 30		⚠ 1/1			