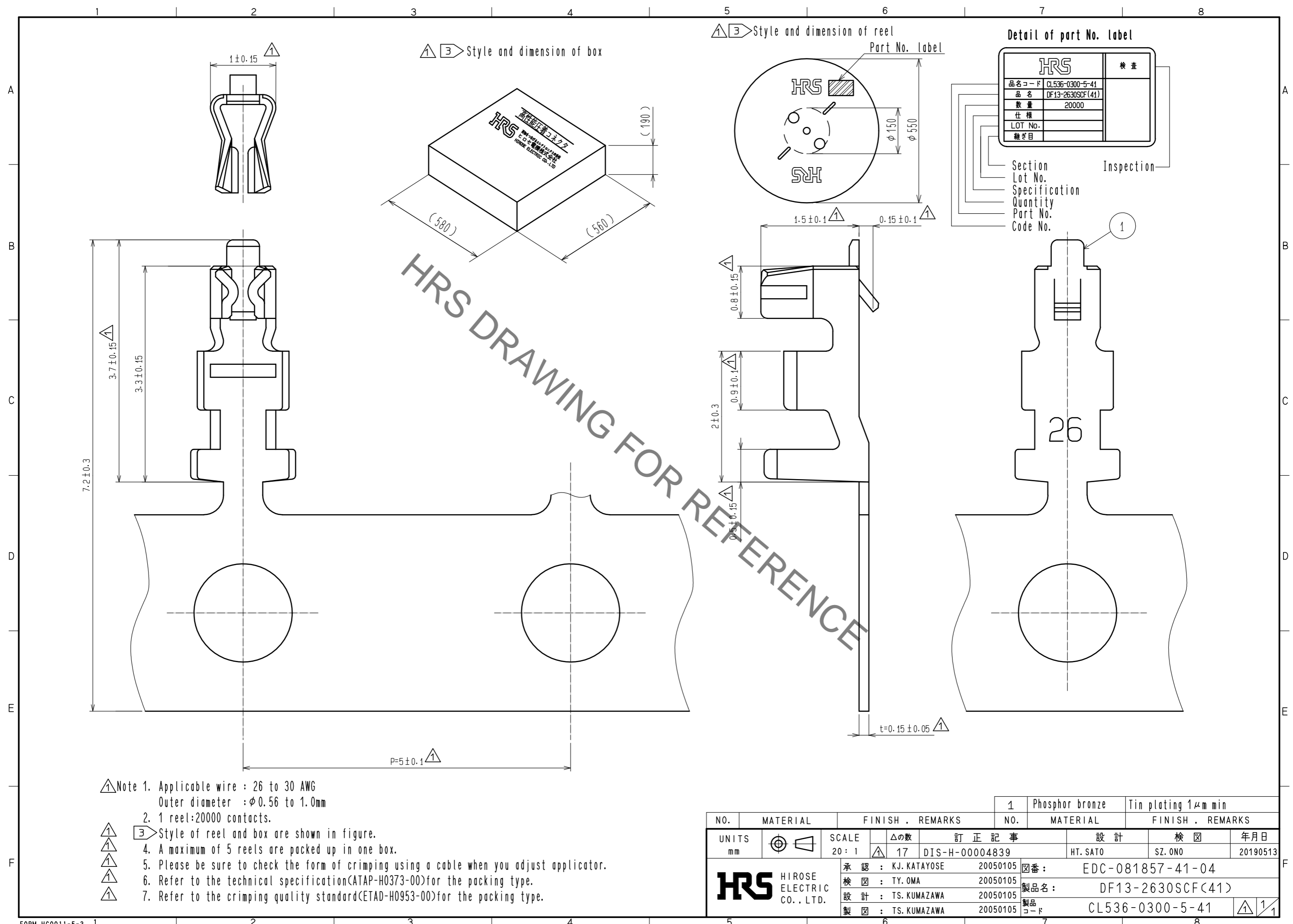
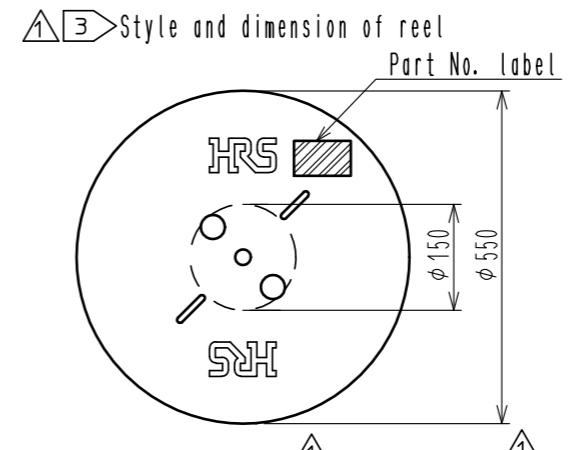


Jun.1.2023 Copyright 2023 HIROSE ELECTRIC CO., LTD. All Rights Reserved.  
In case of consideration for using Automotive equipment / device which demand high reliability, kindly contact our sales window correspondents.



- △ Note 1. Applicable wire : 26 to 30 AWG  
Outer diameter :  $\phi 0.56$  to 1.0mm
2. 1 reel:20000 contacts.
- △ 3. Style of reel and box are shown in figure.
- △ 4. A maximum of 5 reels are packed up in one box.
- △ 5. Please be sure to check the form of crimping using a cable when you adjust applicator.
- △ 6. Refer to the technical specification(ATAP-H0373-00)for the packing type.
- △ 7. Refer to the crimping quality standard(ETAD-H0953-00)for the packing type.

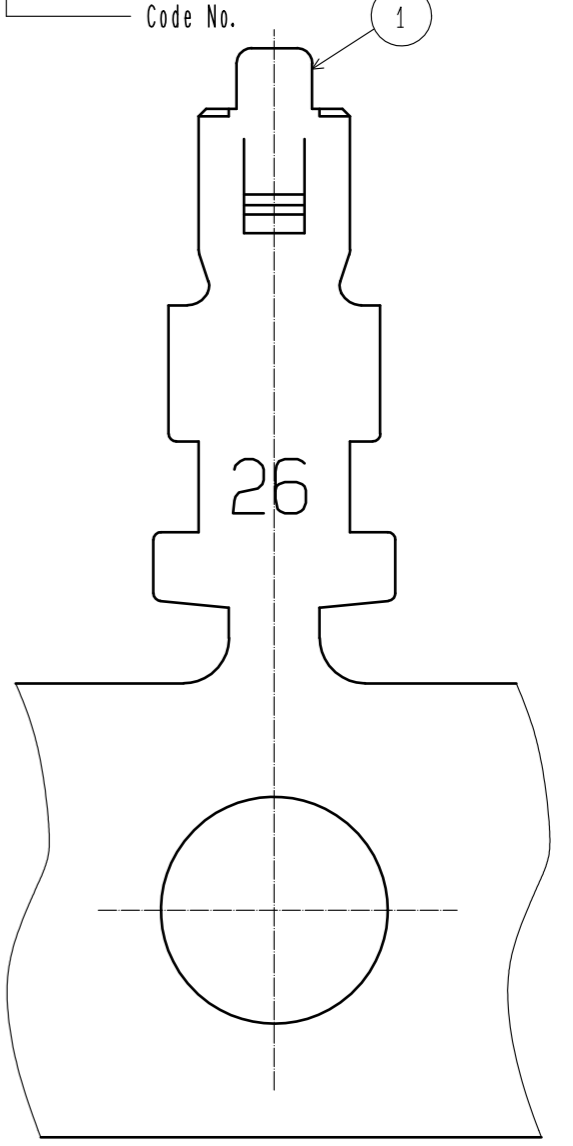
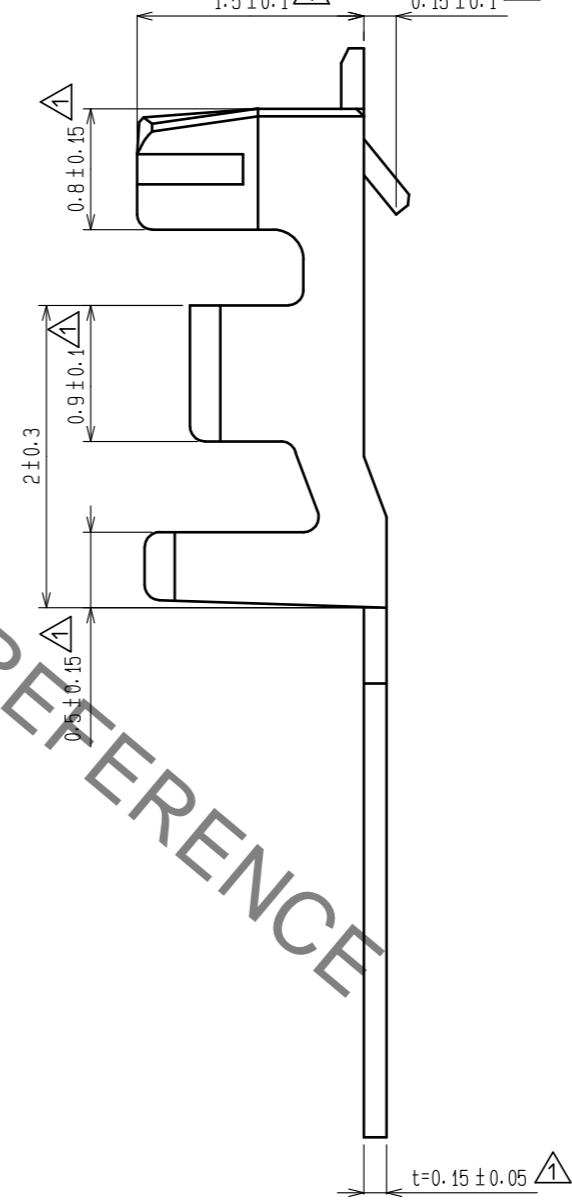


Detail of part No. label

<b>HRS</b>		検査
品名コード	CL536-0300-5-41	
品名	DF13-2630SCF(41)	
数量	20000	
仕様		
LOT No.		
継ぎ目		

Section  
Lot No.  
Specification  
Quantity  
Part No.  
Code No.

Inspection



NO.	MATERIAL	FINISH . REMARKS	1	Phosphor bronze	Tin plating 1 $\mu$ m min
UNITS mm		SCALE 20 : 1	△の数 17	訂正記事 DIS-H-00004839	設計 HT. SATO
HIROSE ELECTRIC CO., LTD.			承認 : KJ. KATAYOSE	20050105	図番 : EDC-081857-41-04
			検 図 : TY. OMA	20050105	製品名 : DF13-2630SCF(41)
			設計 : TS. KUMAZAWA	20050105	製品コード : CL536-0300-5-41
			製 図 : TS. KUMAZAWA	20050105	