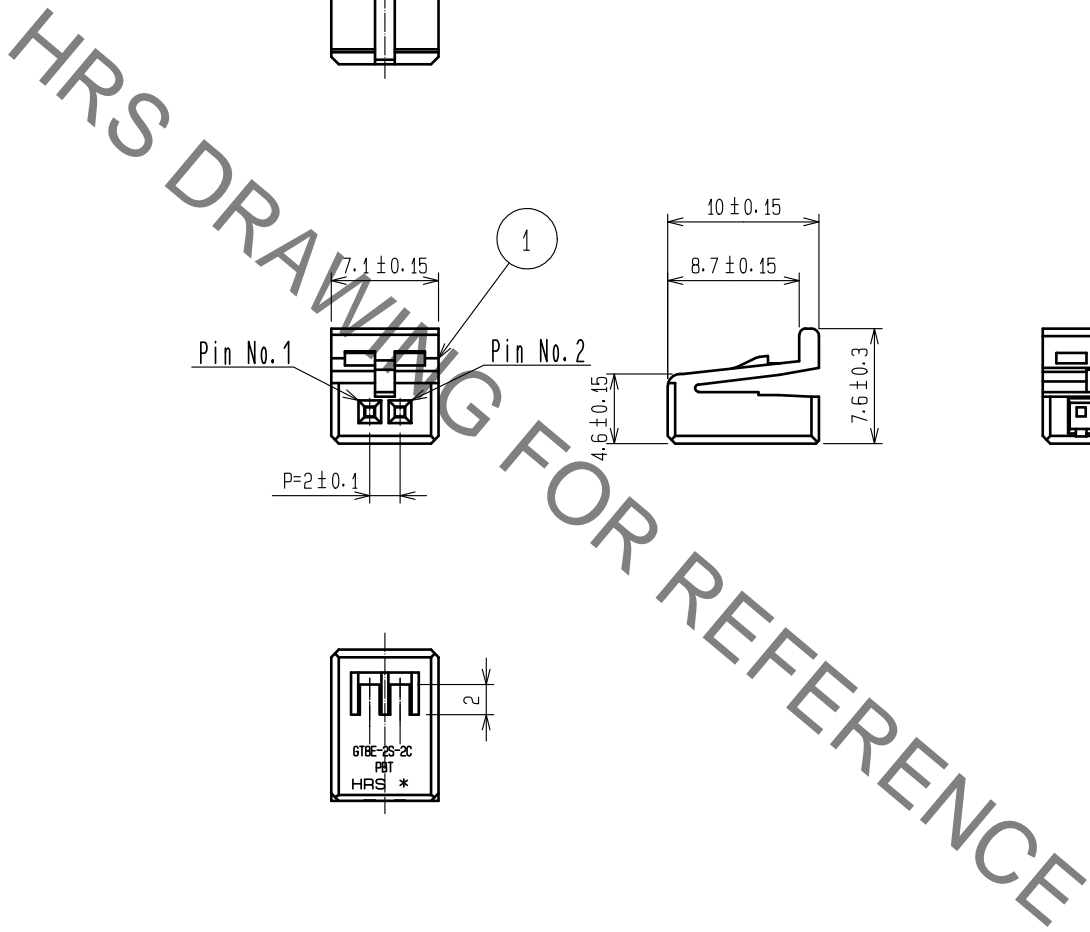


Jun.1.2023 Copyright 2023 HIROSE ELECTRIC CO., LTD. All Rights Reserved.
 In case of consideration for using Automotive equipment / device which demand high reliability, kindly contact our sales window correspondents.

ELV. RoHS COMPLIANT



NOTE 1. CONTACT : GT8E-2022SCF (CL758-0033-4)
 2. MATING CONNECTOR : GT8E-2P-2H (CL758-0032-1)
 , GT8E-8/2P-2H (CL758-0031-9)

1	PBT	BLACK					
NO.	MATERIAL	FINISH	REMARKS	NO.	MATERIAL	FINISH	REMARKS
UNITS mm		SCALE 2 : 1	COUNT 3	DESCRIPTION OF REVISIONS DIS-T-00003736	DESIGNED DONGCHAN KIM	CHECKED HS.OZAWA	DATE 18.09.14
HRS HIROSE ELECTRIC CO., LTD.	APPROVED	: KS. SATOH	06.02.22	DRAWING NO.	EDC-166398-00-00		
	CHECKED	: AR. SHIRAI	06.02.21	PART NO.	GT8E-2S-2C		
	DESIGNED	: YN. KADOTA	06.02.20	CODE NO.	CL758-0030-6-00		
	DRAWN	: YN. KADOTA	06.02.20				