

GT-TW084A-H015-L1

Operating Force

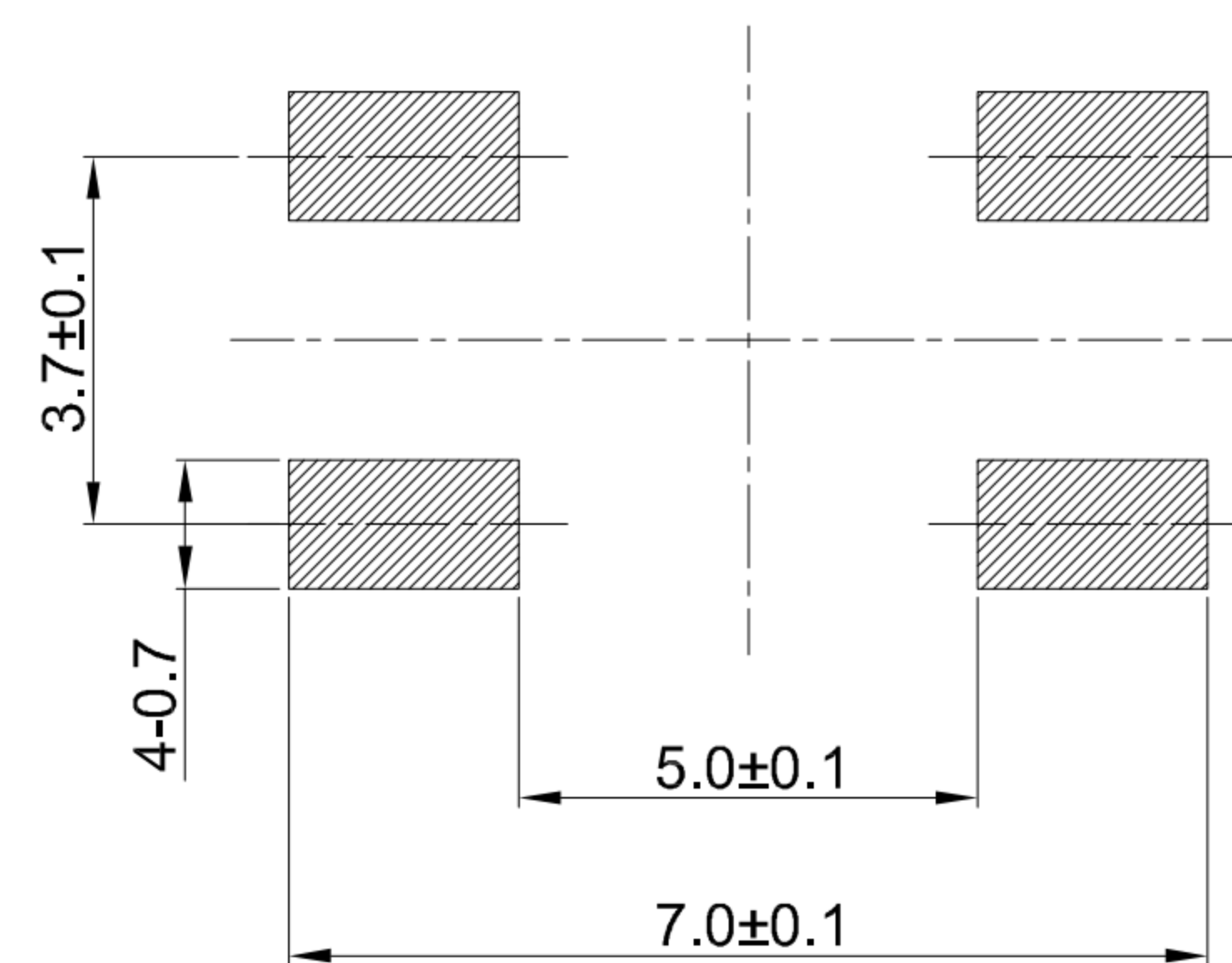
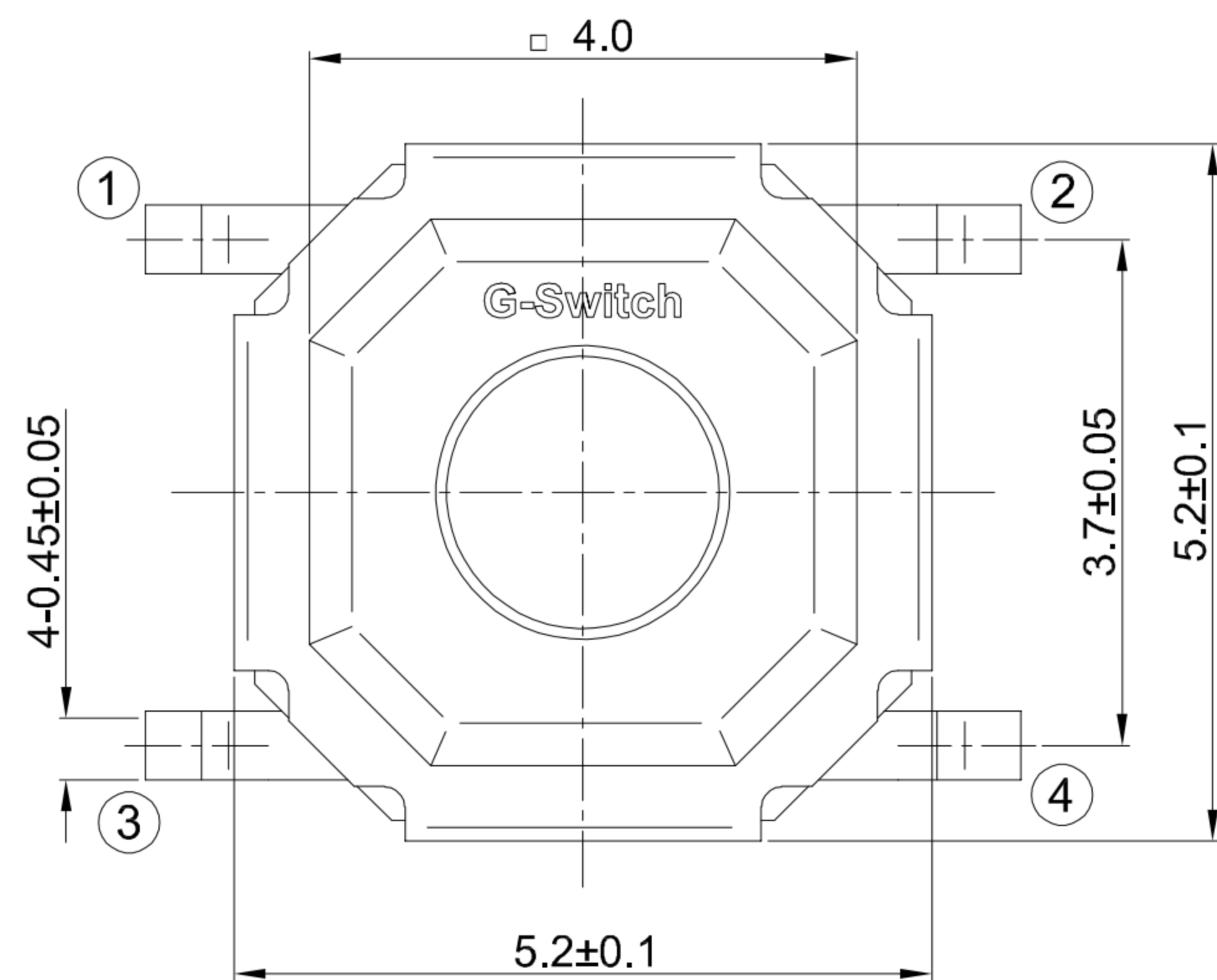
- A=160gf
- B=250gf
- C=100gf
- D=130gf

Switch Height

- H015=1.5 H016=1.6
- H017=1.7 H020=2.0
- H025=2.5 H030=3.0
- H035=3.5 H040=4.0
- H045=4.5 H050=5.0
- H055=5.5 H060=6.0
- H065=6.5 H070=7.0
- H075=7.5 H080=8.0
- H085=8.5 H090=9.0

Switch Lifetime (Force)

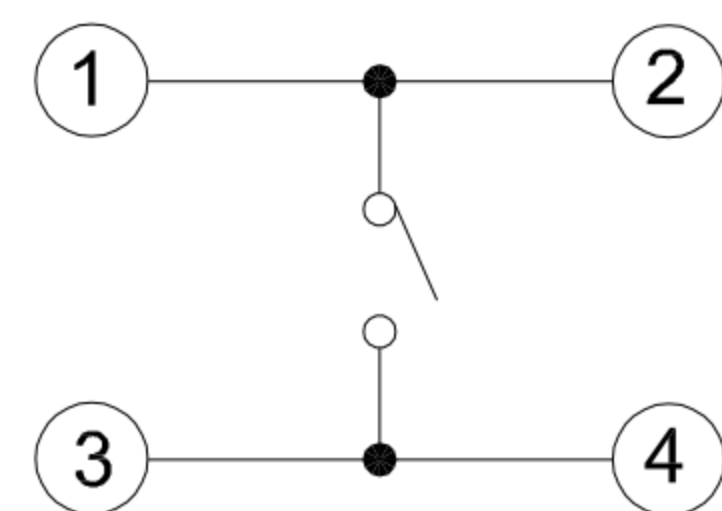
- L1=100,000 Cycles
- L3=300,000 Cycles
- L5=500,000 Cycles
- L10=1,000,000 Cycles



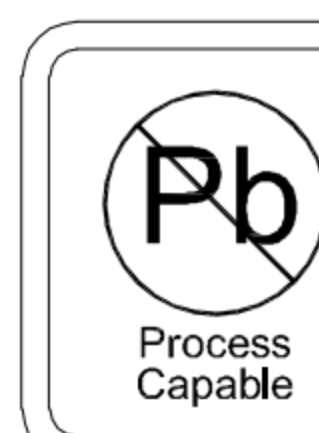
RECOMMENDED PCB LAYOUT
TOLERANCE:±0.05

G-Switch Specification:

1. Operating temperature range: -40°C ~ +85°C
2. Rating: 50mA, 12V DC
3. Insulation resistance: 100MΩ min. 100V DC
4. Dielectric strength: 250V AC for 1 min
5. Contact resistance: 100m Ω max.
6. Travel: 0.25±0.1mm
7. Salt Spray Test: 24H



CIRCUIT DIAGRAM



RoHS
Compliant
EU RoHS Standards



SCALE: 1:1 UNIT: mm
SIZE: A4

Title: Vertical Tact Switch
SMT 5.2×5.2×1.5mm 160gf

Unless otherwise
General Tolerance:
X. ±0.40
X.x ±0.30
X.xx ±0.20
X° ±5°
X.x° ±3°

Molde Code: GT-TW084A-H015-L1

DRAWN	CHECKED	APPROVED	DATE
Xia	Chen	Chen	2023.02.01



REV: A0 SHEET: 1/1