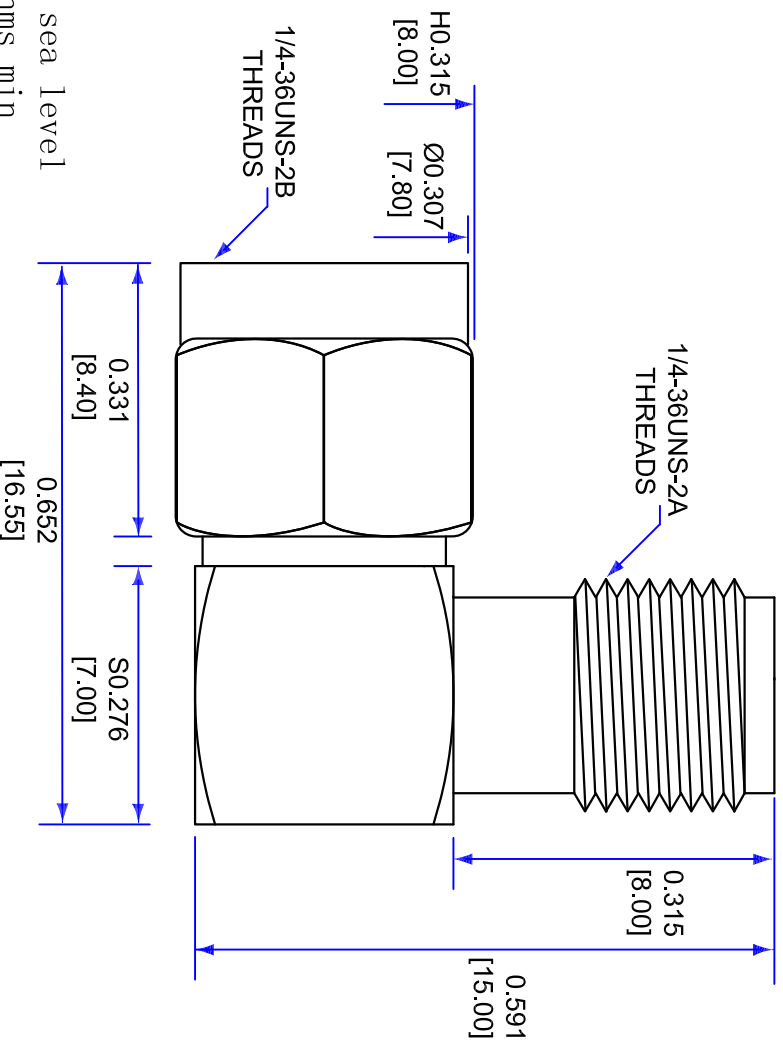




Product NO.		DOSIN-818-0072		
REV	DESCRIPTION	DWN	DATE	APPROVEN
A	First Issue	Mr. CHEN	2016/09/25	John kine
B				



### Specifications

Impedance: 50 Ohms  
 Frequency Range: 0~6Ghz  
 VSWR: 1.25max  
 Working Voltage: <170 V rms @ sea level  
 Insulation Resistance: 5000 Ohms min  
 Temperature Range: -65°C T0 +165°C  
 Drawings products are in line with ROHS standards

1	Body	Brass	NICKEL	1	NOTE:						
2	Insulation	Teflon	White	1							
3	Pin	Brass	GOLD	1							
4											
5					DRAWN	Zelin.chen	2016/09/25				
6					CHECKED						
7											
8											
9											
10	Component Number	Material	Finish	QTY	APPROVALS	John kine	25/09/2016	SCALE	UNIT	1:1	MM
Name: SMA JACK TO R/A PLUG ADAPTER SIZE A Product NO. DOSIN-818-0072 Date/Time 2016/09/25 CAD FILE D:/company drawings/BD SHEET: 1 OF 1 <b>DOSIN</b> <i>Dosin Industrial(H.K) Co.Ltd</i> E-mail: dosin2005@163.com 东莞市德泰五金电子有限公司 dosin2005@dosin-china.com <i>Dosin Hardware Electronics Co., Ltd</i> Web: http://www.china-guan.com TEL: (0086)769-81153906 FAX: (0086)769-81875836											