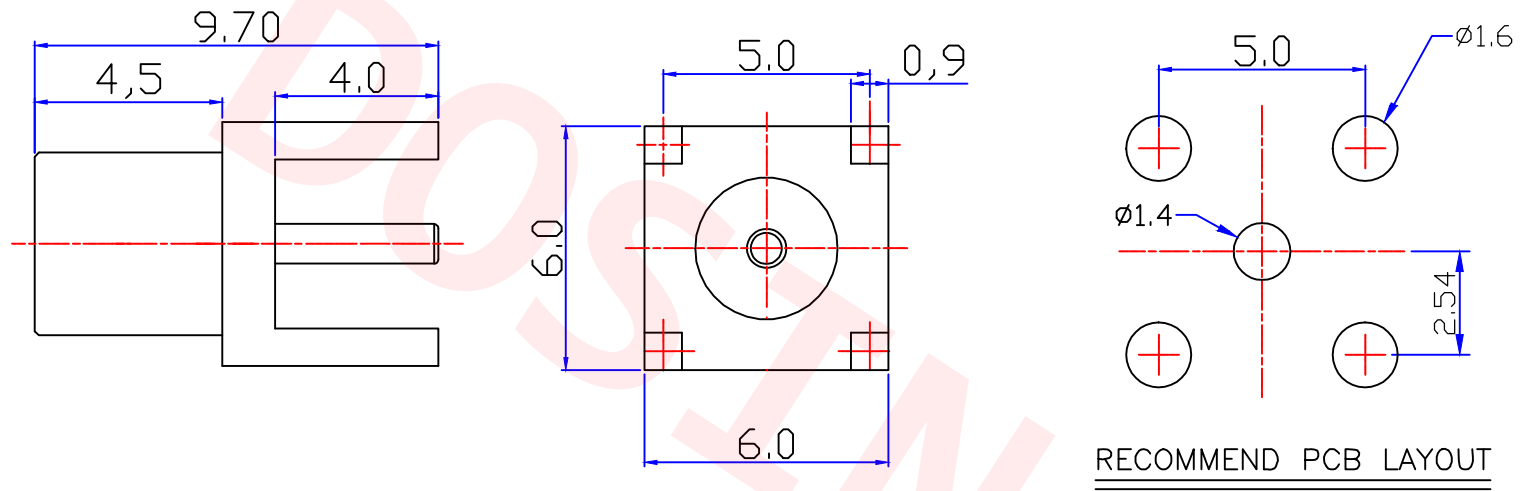




Product NO.		DOSIN-809-0072		
REV	DESCRIPTION	DWN	DATE	APPROVEN
A	First issue	Mr. CHEN	2017/01/12	John kine
B				



Specifications

Impedance: 50 Ohms
 Frequency Range: 0~6Ghz
 VSWR: 1.25max
 Working Voltage: <170 V rms @ sea level
 Insulation Resistance: 5000 Ohms min
 Temperature Range: -65°C TO +165°C
 Drawings products are in line with ROHS standards

1	Body	Brass	GOLD	1	NOTE:	Tolerance	X.	±0.10		DOSIN <small>-RF CONNECTOR-</small> Dosin Industrial(H.K)Co.Ltd <small>E-mail:dosin2005@163.com dosin2005@dosin-china.com</small> 东莞市德索五金电子制品有限公司 <small>Web:http://www.china-guan.com</small> Dosin Hardware Electronics Co.,Ltd <small>TEL:(0086)769-81153906 FAX:(0086)769-81875836</small>	
2	Insulation	Teflon	White	1			X.X	±0.08			
3	Pin	Brass	GOLD	1			X.XX	±0.05			
4							Angular	±5°			
5											
6					DRAWN	View	Name: MCX JACK PCB				
7					Zelin.chen						
8					CHECKED	UNIT	MM	SIZE	Product NO.	DOSIN-809-0072	REV
9					APPROVALS	SCALE	1:1	DateTime	CAD FILE	D/company drawings/BD	SHEET: 1 OF 1
10					John			2017/01/12			
NO	Component Number	Material	Finish	QTY							