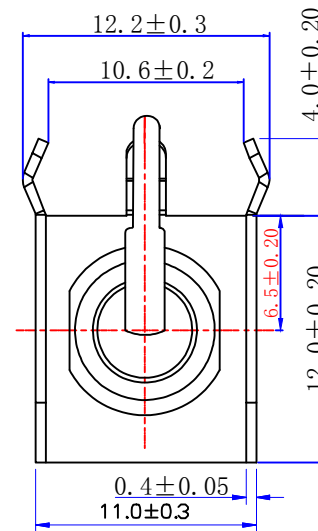
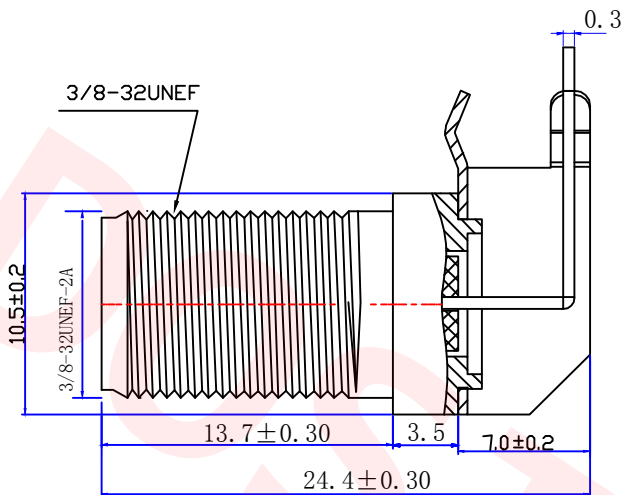
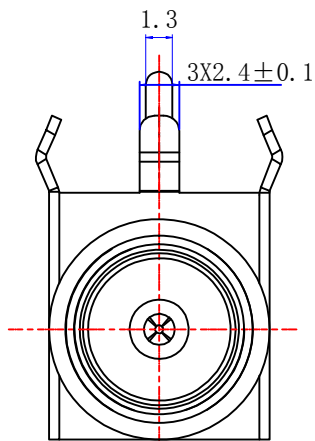




Product NO.		DOSIN-803-0455		
REV	DESCRIPTION	DWN	DATE	APPROVEN
A	First issue	W. cheng	2020/05/16	John kine



Specification:

VSWR:1.3MAX

Frequency range:DC~3G

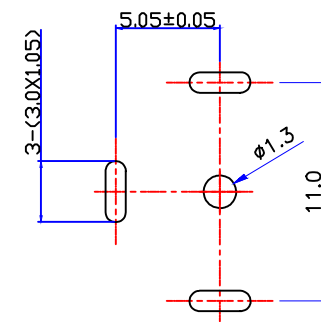
Working Voltage:500V rms @ sea level

Insulation resistance:5000 Ohms min

Temperature range:-55°C TO +155°C

Relative temperature:≤95%(40° C±2° C)

Drawings products are in line with ROHS standards.



Recommended P.C.B. Layout

1	BODY-00001-NI-0	Brass	NICKEL	1	NOTE:
2	PIN-00001-0	Brass	Tin plating	1	
3	Insulator-00001-0	PPS	BROWN	1	
4	Fixed foot	Iron plates	NICKEL	1	
5					DRAWN W. cheng
6					
7					CHECKED John
8					
9					APPROVALS John
10					
NO	Component Number	Material	Finish	QTY	

Tolerance	0-6 ±0.2 6-30 ±0.3 30-120 ±0.5 Angular ±2°
View	
UNIT	MM
SCALE	1:1

Dosin Industrial(H.K)Co.Ltd 东莞市德索五金电子制品有限公司 Dosin Hardware Electronics Co.,Ltd		E-mail:dosin2005@163.com dosin2005@dosing-china.com Web:http://www.china-guan.com TEL:(0086)769-81153906 FAX:(0086)769-81875836	
Name:		F CONNECTOR	
SIZE A	Product NO.	DOSIN-803-0455	REV B
DateTime 2020/05/16	CAD FILE D/company drawings/BD	SHEET: 1 OF 1	