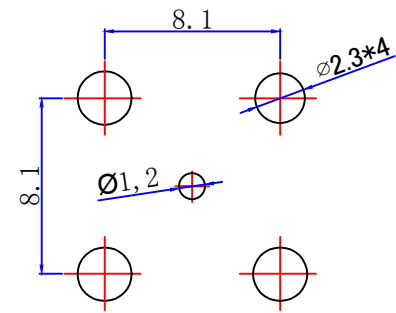
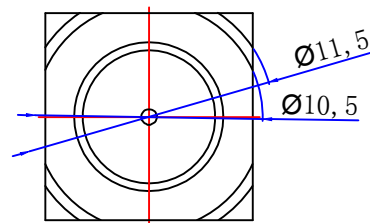
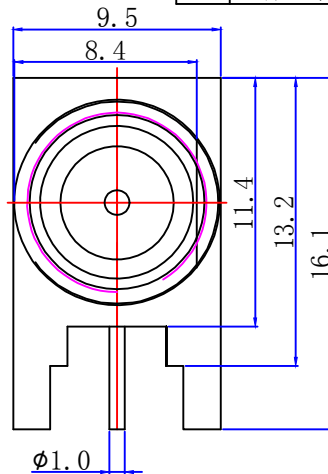
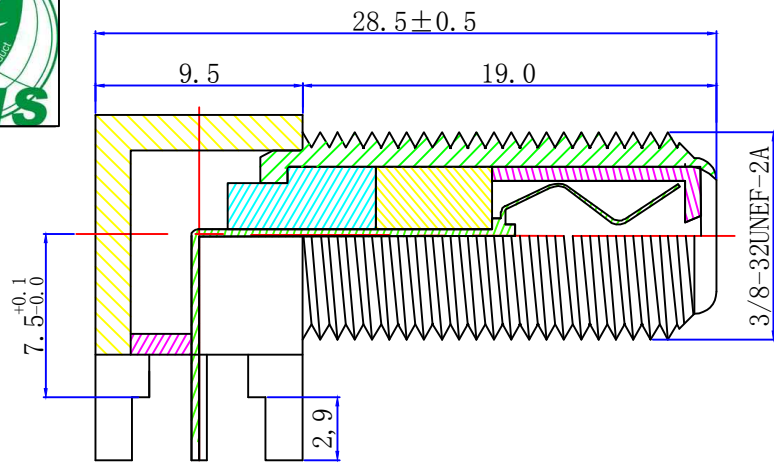




Product NO.		DOSIN-803-0280		
REV	DESCRIPTION	DWN	DATE	APPROVEN
A	First issue	Mr. CHEN	2017/08/17	John kine
B	原1.0台阶取消更改为全牙	Mr. CHEN	2021/04/26	John kine



PCB

SPECIFICATIONS:

IMPEDANCE: 75 ohms
 FREQUENCY RANGE: DC~3GHz
 VSWR: 1.5MAX
 WORKING VOLTAGE: 500V RME@SEA LEVEL
 INSULATION RESISTANCE: 5000 ohms min
 TEMPERATURE RANGE: -40°C TO +60°C
 DRWINGS PRODUCTS ARE IN LINE WITH ROHS STANDARDS

1	Body	Brass	NI:80-120u"	NOTE:	Tolerance	X.	±0.15	Dosin Industrial (HK) Co., Ltd 东莞市德索五金电子制品有限公司 Dosin Hardware Electronics Co., Ltd	E-mail: dosin2005@163.com dosin2005@dosin-china.com Web: http://www.dosinconn.com TEL: (0086) 769-81153906 FAX: (0086) 769-81875836	
2	Insulator	PP	White			X.X	±0.10			
3	Center contact	Phosphor	SN			X.XX	±0.05			
4					Angular	±5°	Name: F Jack Right angle PCB Mount SIZE A Product NO. DOSIN-803-0280 REV B			
5				DRAWN	2021/04/26	View				
6				CHEKED		UNIT	MM	DateTime 2021/04/26 CAD FILE H/company drawings/BD SHEET: 1 OF 1		
7				APPROVALS		SCALE	1:1			
8				John						
9										
10	Component Number	Material	Finish							