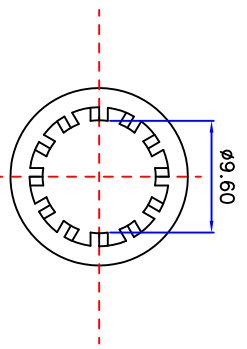
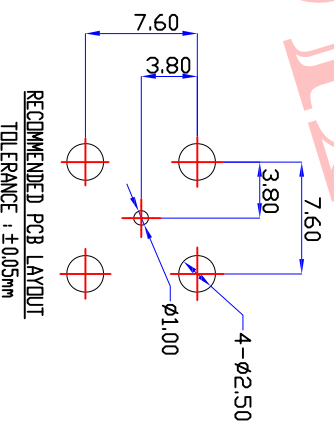
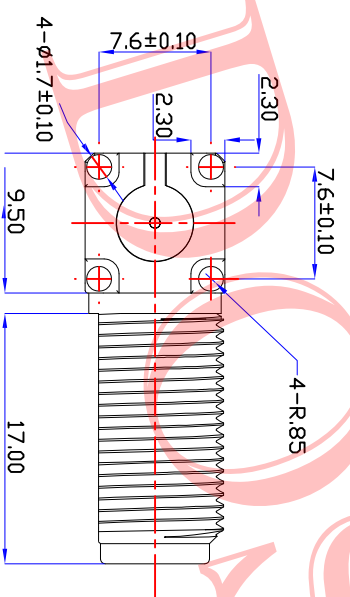
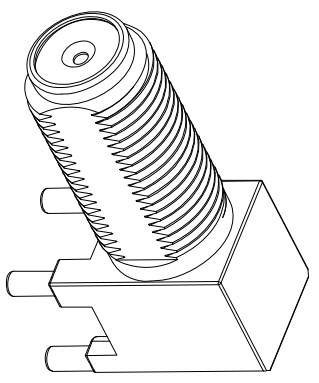
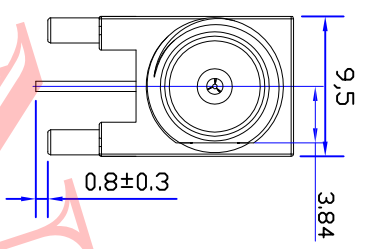
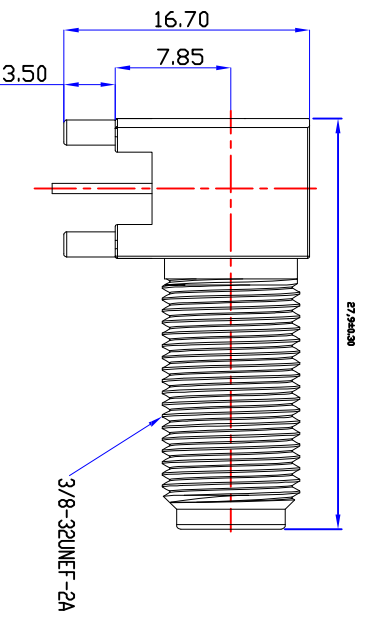




Product NO.		DOSIN-803-0002		
REV	DESCRIPTION	DWN	DATE	APPROVEN
A	First Issue	Mr. Wang	2009/08/07	John kine
B	ADD : DOSIN-803-0002	Zelin. Zhang	2012/05/06	John kine



**SPECIFICATIONS:**

Impedance: 75 Ohms  
 Frequency Range: DC~3G  
 VSWR: .30±0.05 Return loss @ 1GHz  
 Working Voltage: 15 watts continuous  
 Insulation Resistance: 5000 Ohms min  
 Temperature Range: -40°C T0 +60°C  
 Drawings products are in line with ROHS standards

1	Body	Zinc	NI:80-120u"	NOTE:					
2	Insulator	PP	White						
3	Center contact	Phosphor	SN		Tolerance	X. X X. XX Angular	±0.15 ±0.10 ±0.05 ±5°		
4	Gasket	Iron	NI:80-120u"	DRAWN	View				
5	Nut	Brass	NI:80-120u"	Zelin. Zhang	UNIT	MM			
6				CHECKED					
7									
8									
9									
10	Component Number	Material	Finish	APPROVALS	SCALE	1:1			
				John	06/05.2012				
				Kine					

Name: F Jack Right angle PCB Mount  
 Dosin Industrial (HK) Co. Ltd  
 东莞市德泰五金电子有限公司  
 Dosin Hardware Electronics Co., Ltd  
 F-mail: dosin2005@163.com  
 dosin2005@dosin-china.com  
 Web: http://www.dosin.com  
 TEL: (0086) 769-81153906  
 FAX: (0086) 769-81875836

DATE	2012/05/06	CAD FILE	DOSIN-803-0002	SHEET:	1 OF 1
SIZE	A	Product NO.		REV	B