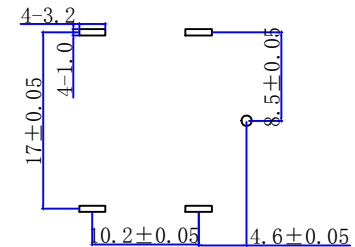
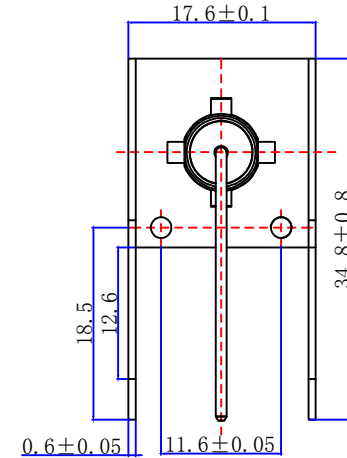
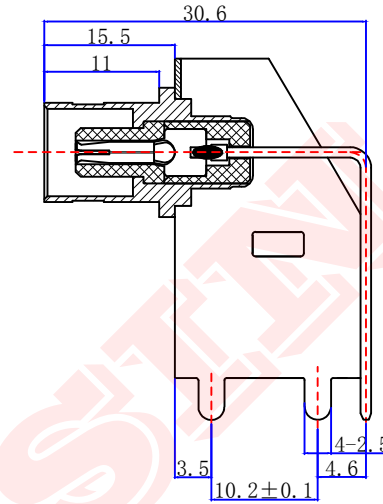
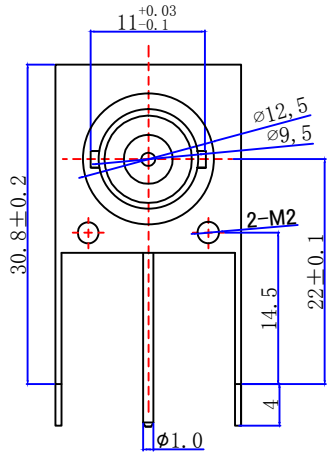




Product NO.		DOSIN-801-0277		
REV	DESCRIPTION	DWN	DATE	APPROVEN
A	First issue	Mr. CHEN	2018/11/24	John kine
B				



PCB

Specifications:

- IMPEDANCE: 50 Ohms
- Frequency range: 0~3GHZ
- VSWR: 1.3MAX
- Working voltage: 500V rms @ sea level
- Insulation resistance: 5000 Ohms min
- Temperature range: -40°C TO +110°C
- Relative temperature: ≤95% (40° C ± 2° C)

NOTE:

Tolerance	0-6 ±0.15
	6-30 ±0.20
	30-120 ±0.50
	Angular ±5°



Dosin Industrial (HK) Co., Ltd

东莞市德索五金电子制品有限公司

Dosin Hardware Electronics Co., Ltd

E-mail: dosin2005@163.com
 dosin2005@dosin-china.com
 Web: http://www.dosinconn.com
 TEL: (0086) 769-81153906
 FAX: (0086) 769-81875836

Name: BNC CONNECTOR

SIZE A	Product NO. DOSIN-801-0277	REV A
--------	----------------------------	-------

DateTime 2018/11/24	CAD FILE H/company drawings/BD	SHEET: 1 OF 1
---------------------	--------------------------------	---------------

1	Body	Zinc	Nickel	1
2	Insulator	POM	White	1
3	Center contact	Brass	GOLD	1
4	BRACKET	Iron	Nickel	1
5				
6				
NO	Component Number	Material	Finish	QTY

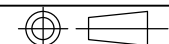
DRAWN Zelin.chen
 CHECKED

APPROVALS John

View

UNIT MM

SCALE 1:1



1

2

3

4

5

6

1

2

3

4

5

6