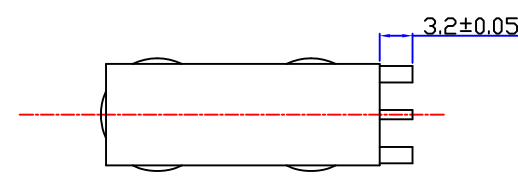
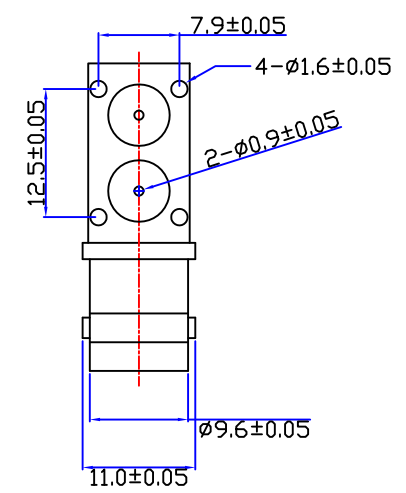
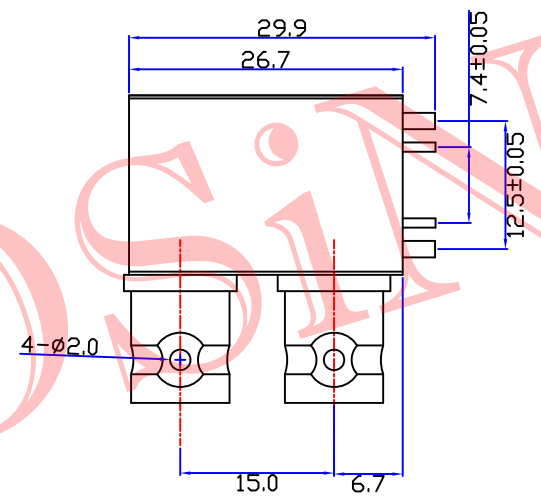
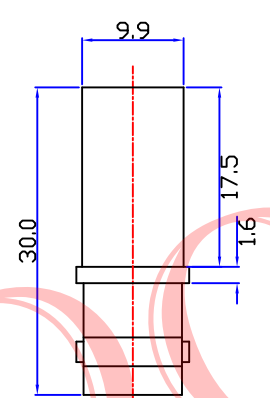
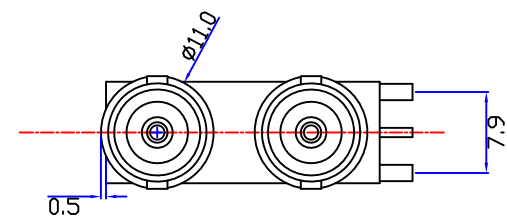
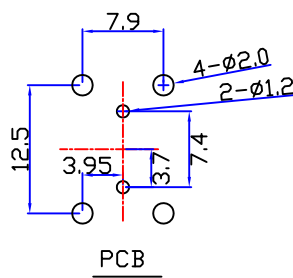




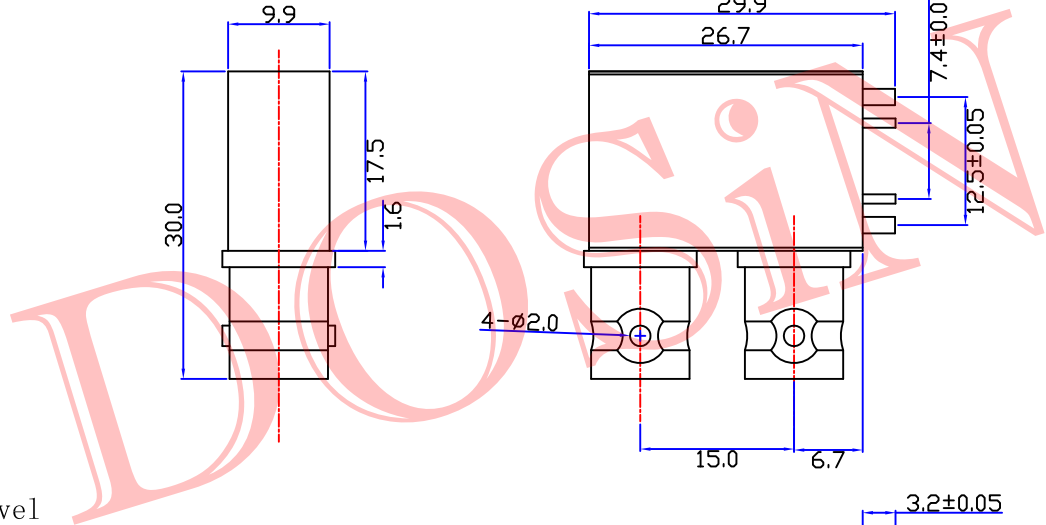
Product NO.		DOSIN-801-0230	
REV	DESCRIPTION	DWN	DATE
A	First issue	Zelin.Zhang	2012/04/05
B			

工程部
 2014.06.13
 王金明



Specifications

Impedance: 75 Ohms
 Frequency Range: DC~4G
 VSWR: 1.3MAX
 Working Voltage: 500V rms @ sea level
 Insulation Resistance: 5000 Ohms min
 Temperature Range: -55°C TO +155°C
 Relative Temperature: ≤95% (40° C ±2° C)
 Drawings products are in line with ROHS standards



1	Body	Brass	NI:120-150mi	NOTE:	Tolerance	0-6	±0.05	Dosin Industrial (H.K) Co. Ltd 东莞市德索五金电子制品有限公司 Dosin Hardware Electronics Co., Ltd E-mail: dosin2005@163.com dosin2005@dosin-china.com Web: http://www.dosinconn.com TEL: (0086) 769-81153906 FAX: (0086) 769-81875836	
2	Center contact	Brass	Gold:1-2Mi			6-30	±0.10		
3	Insulator	Teflon	White			30-120	±0.20		
4				ANGULAR	±5°				
5				View					
6				UNIT	MM				
7				APPROVALS	SCALE	1:1	DateTime	CAD FILE	SHEET: 1 OF 1
8									
9	Component Number	Material	Finish						