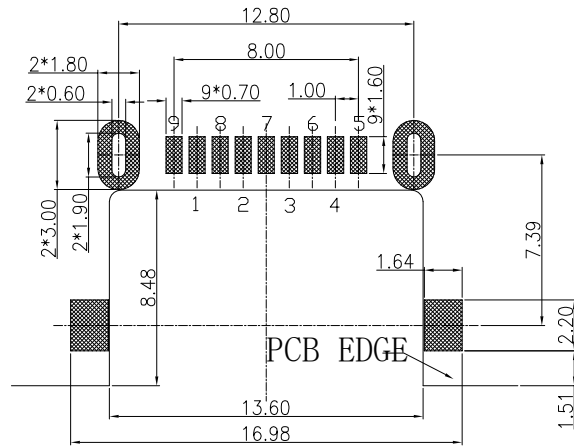
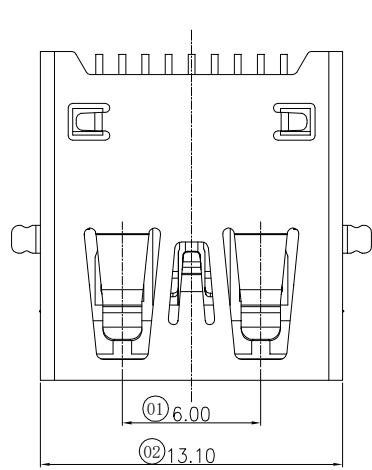
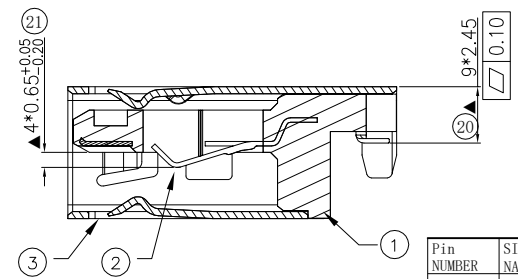
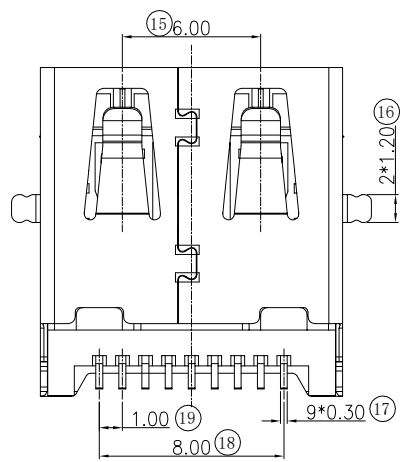
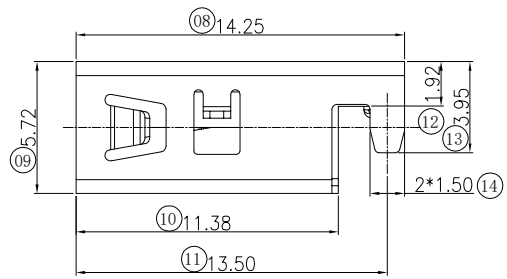
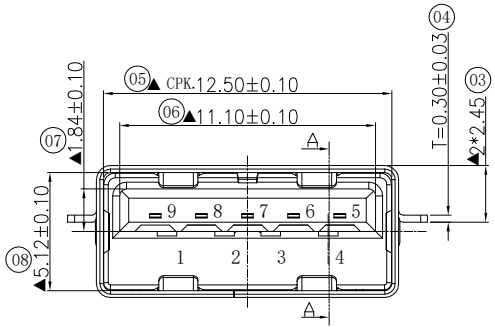


修订 REV NO	标记 MARK	修改摘要 REVISION DESCRIPTION	签名 SIGNATURE	日期 DATE
		NEW DWG		2016-03-12



RECOMMENDED PCBA LAYOUT
(TOLERANCE ± 0.05)



NOTES:

- ELECTRONIC:
 - CONTACT CURRENT RATING: 1.5A
 - CONTACT RESISTANCE: 30mohm Max
 - INSULATION RESISTANCE: 100 Megohms Min
 - WITHSTAND VOLTAGE: AC100V, 1Min.
- MECHANICAL:
 - MATING FORCE: 3.57KG Max
 - UNMATED FORCE: 0.8KG Min
 - DURABILITY: 1500 CYCLES
- ENVIRONMENT CHARACTERISTICS:
 - OPERATING TEMPERATURE: -40° C TO +85° C

No.	PART NAME	QTY	MATERIAL	REMARK
3	SHELL	1	COPPER ALLOY/SUS/SPCC	NI PLATED
2	CONTACT	9	COPPER ALLOY	AU /TIN PLATED
1	HOUSING	1	THERMOPLASTIC(LCP)	(UL 94V-0)

Pin NUMBER	SIGNAL NAME
1	VBUS
2	D-
3	D+
4	GND
5	StdA_SSRX-
6	StdA_SSRX+
7	GND_DRAIN
8	StdA_SSTX-
9	StdA_SSTX+
Shell	Shield

深圳市华德共创科技有限公司
Shenzhen Huade co-create Technology Co.,LTD
电话: 0755-23304126 传真: 0755-29940187

-TOLERANCES-
UNLESS OTHERWISE SPECIFIED
公差参数表

X.X	±0.30	X.X*	±3°	APPD: 核准:	TITLE: USB 3.0 Gen2 AF SMT 沉板H=2.45MM 产品名称: 外壳 无卷边 不锈钢壳 LCP蓝色			
X.XX	±0.20	X.XX*	±2°	CHECK: 校对: 王建业	PART NO: USB3.0-GD-122PWB 产品编号:			
X.XXX	±0.10	X.XXX*	±1°	DRAW: 绘图: 黄艳兰	DATE	SCALE	UNIT	CODE NUMBER
					2016-03-12	1:1	mm	A001