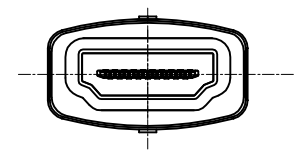
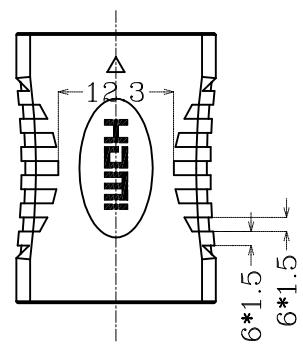
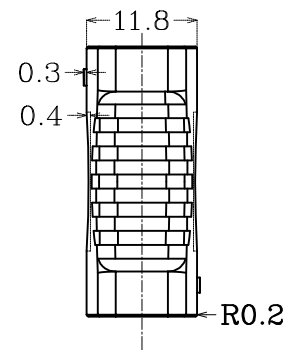
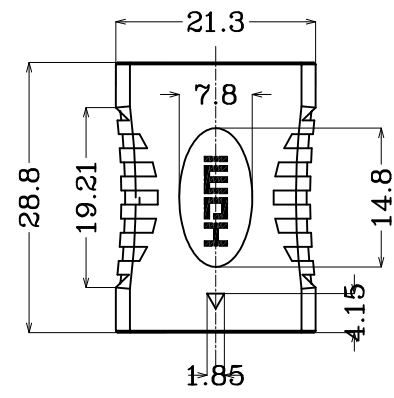
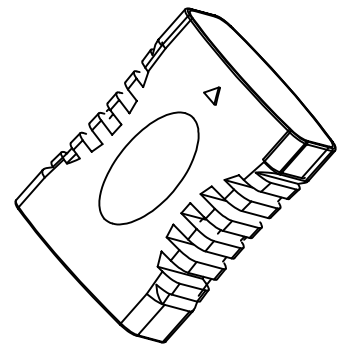
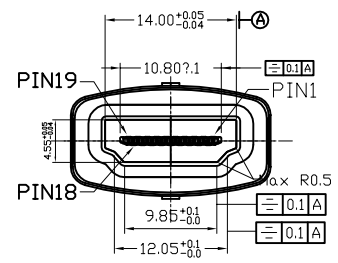


修订	标记	修改摘要	签名	日期
REV	MARK	REVISION DESCRIPTION	SIGNATURE	DATE
AO		NEW DWG		2016-03-12



sPECIFICATION

- Electrical characteristics
 - Contact Current Rating:0.5 A
 - Dielectric Withstanding Voltange:300V AC
 - Insulation Resistance:a.Mate 100MΩ MIN at 500V/DC
b.Unmate 10MΩ MIN at 150V/DC
 - Contact Resistance:30mΩ MAX
 - Temperature Range:-20° C to +85° C
- Mechanical
 - Mating Face:44.1N MAX
 - Unmating Face:9.8N MIN;39.2N MAX
 - Durability:5000 Cycles
- material:
 - PVC:45Pa, UL94V-0;
 - HOUSING:THERMOPLASTICS HIGH TEMP LCP+GLASS
FIBER BLACK COLOR, UL94V-0
 - CONTACT:BRASS , T=0.20MM
 - SHELL:C2680 , T=0.40MM
- PLATING:
 - CONTACT:1u" GOLD/TIN PLATING ON CONTACT AREA
50u"MIN, NICKEL UNDERPLATING OVER ALL
 - Shell: G/F plated over 50u" NI min.

		深圳市华德共创科技有限公司 Shenzhen Huade co-create Technology Co.,LTD 电话: 0755-23304126 传真: 0755-29940187						
-TOLERANCES- UNLESS OTHERWISE SPECIFIED 公差参数表				TITLE: HDMI A转接头铁壳镀镍黑胶 产品名称: 成型L=28.8				
X.X	±0.30	X.X*	±3°	APPD: 核准:	PART NO: 产品编号: HDMI-GD-139PWB			
X.XX	±0.20	X.XX*	±2°	CHECK: 校对: 王建业	DATE	SCALE	UNIT	CODE NUMBER
X.XXX	±0.10	X.XXX*	±1°	DRAW: 绘图: 黄艳兰	2016-03-12	1:1	mm	A001

由 Autodesk 教育版产品制作

由 Autodesk 教育版产品制作